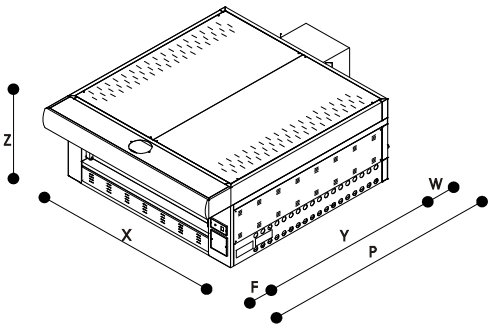
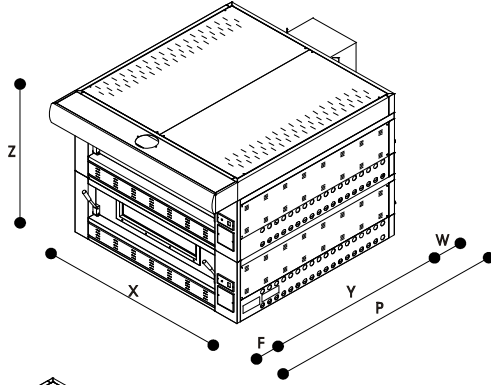


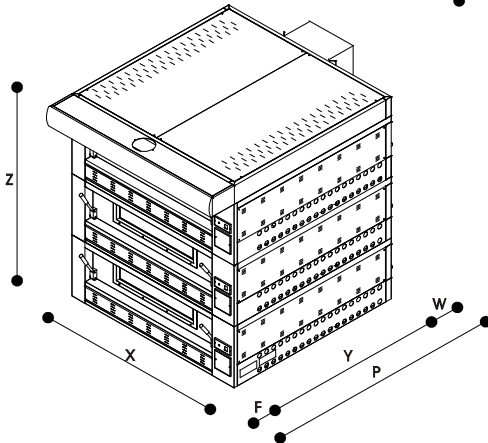
Fig.1



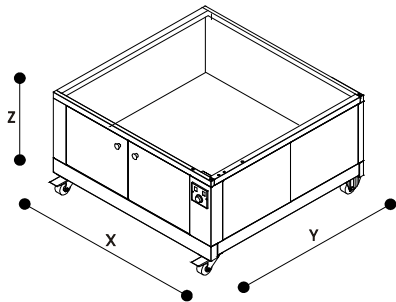
	P110G C/A	P110G C/B	P150G C/A
X cm	147	147	200
Z cm	64	64	64
Y cm	102	142	114
F cm	23	23	33
W cm	21	21	21
P cm	146	186	157
kg	237	313	369



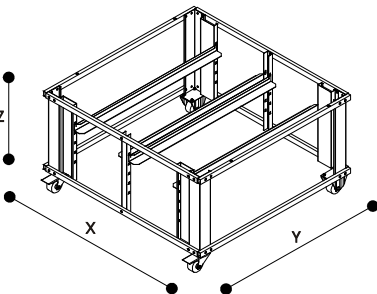
	P110G C/A2	P110G C/B2	P150G C/A2
X cm	147	147	200
Z cm	113	113	113
Y cm	102	142	114
F cm	23	23	33
W cm	21	21	21
P cm	146	186	157
kg	425	570	649



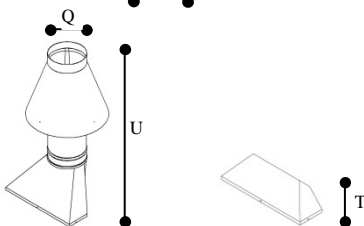
	P110G C/A3	P110G C/B3	P150G C/A3
X cm	147	147	200
Z cm	162	162	162
Y cm	102	142	114
F cm	23	23	33
W cm	21	21	21
P cm	146	186	157
kg	625	840	929



	P110 L/60A	P110 L/80A	P110 L/60B	P110 L/80B	P150 L/60A	P150 L/80A
X cm	147	147	147	147	200	200
Z cm	60	80	60	80	60	80
Y cm	102	102	142	142	114	114
kg	65	92	78	110	109	117



	P110 S/40A	P110 S/40B	P110 S/80A	P110 S/80B	P110 S/95A	P110 S/95B	P150 SC/40A
X cm	147	147	147	147	147	147	200
Z cm	40	40	80	80	95	95	40
Y cm	102	142	102	142	102	142	114
kg	40	44	42	55	45	60	84



	P110GA/A2/B/B2 P150GA/A2	P110GA3/B3 P150G/A3
U cm	90	108
Q cm	20	25
T cm	17	17

Fig.2

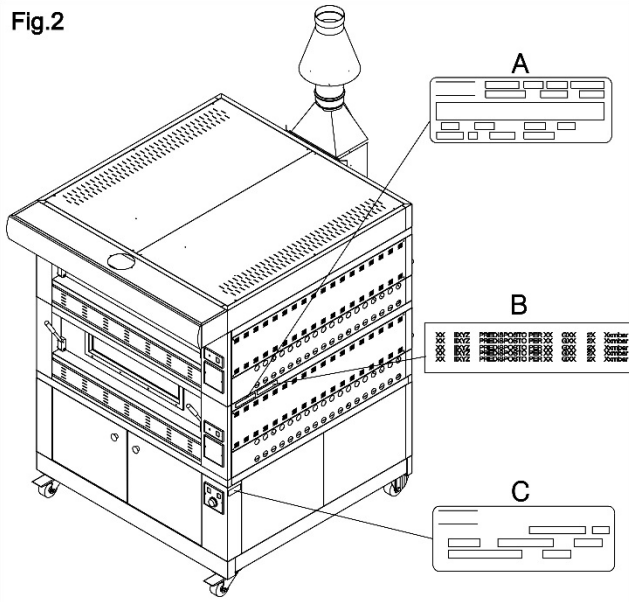


Fig.3

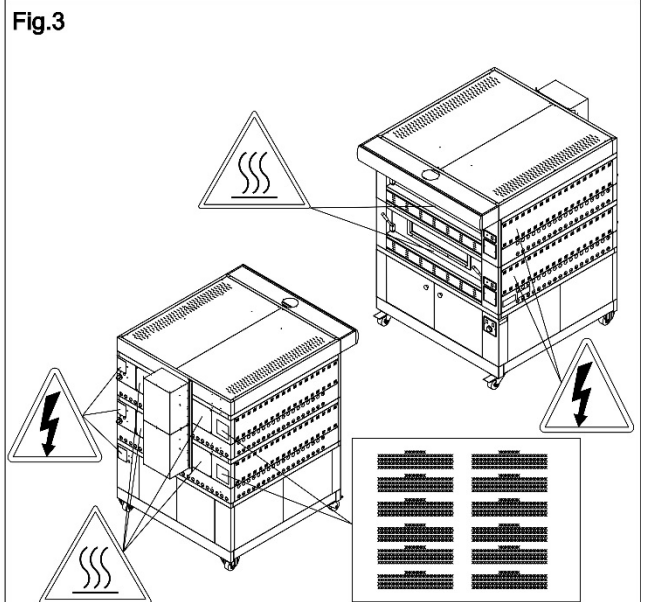


Fig.4

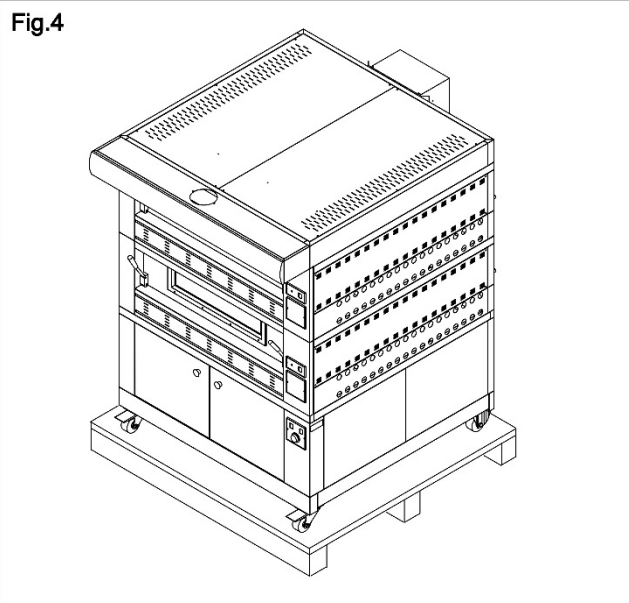


Fig.5

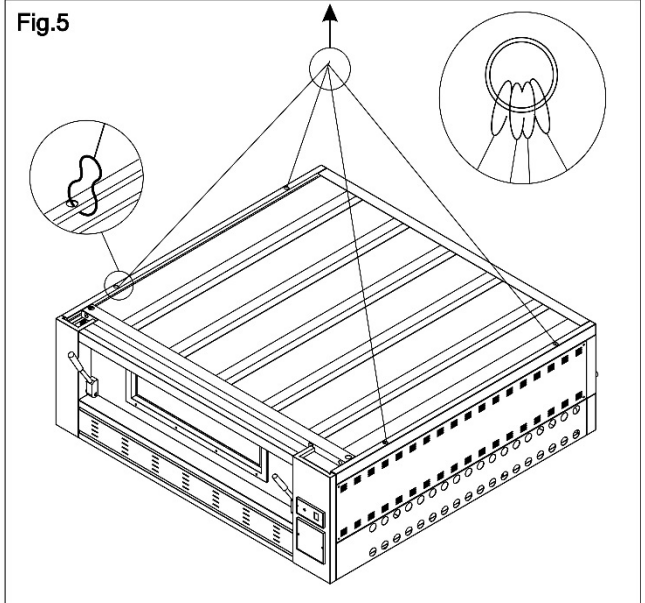


Fig.6

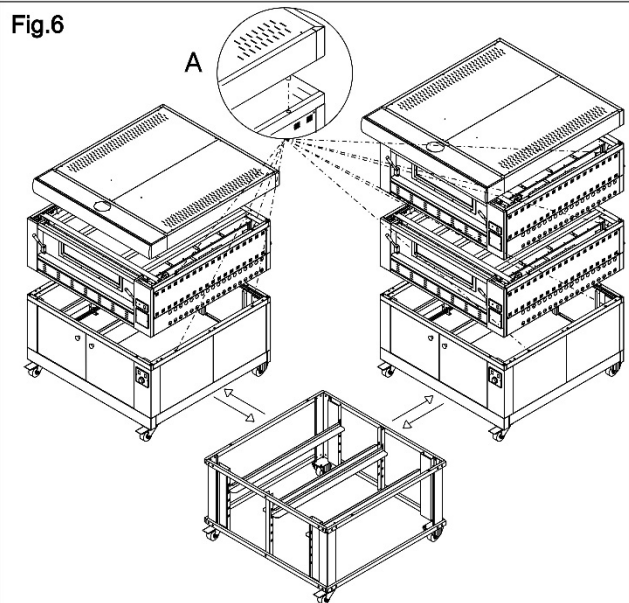
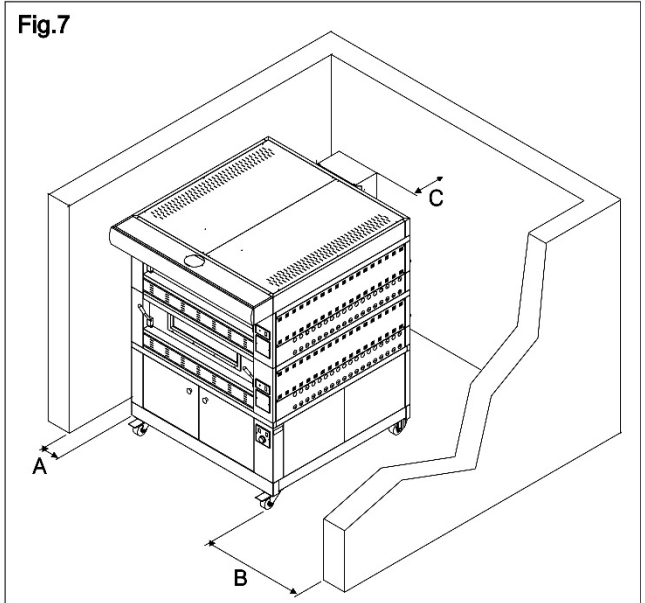


Fig.7



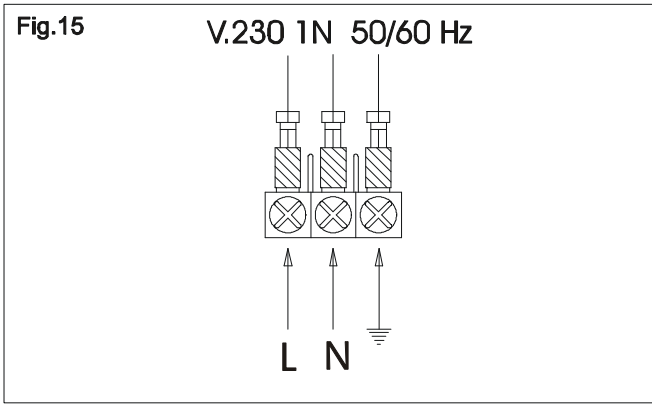
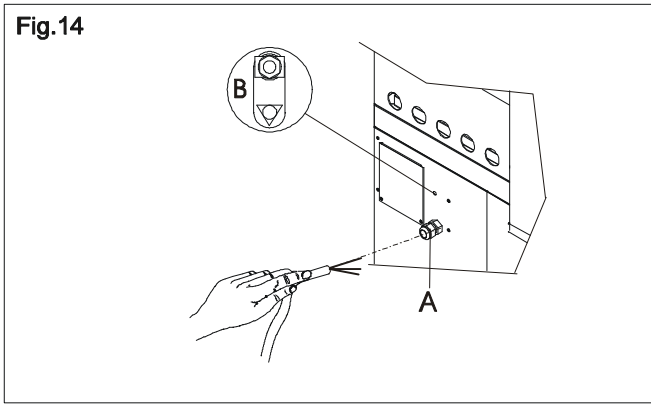
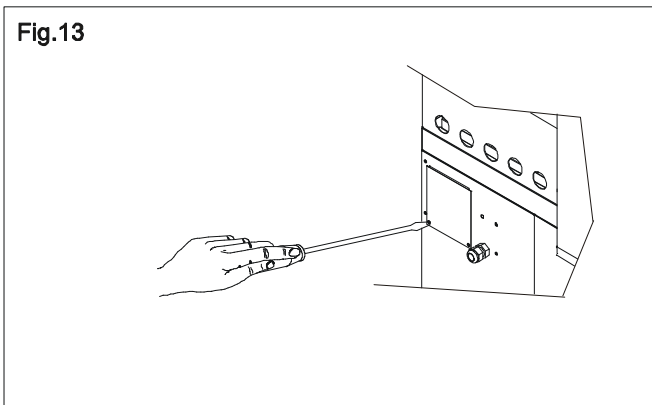
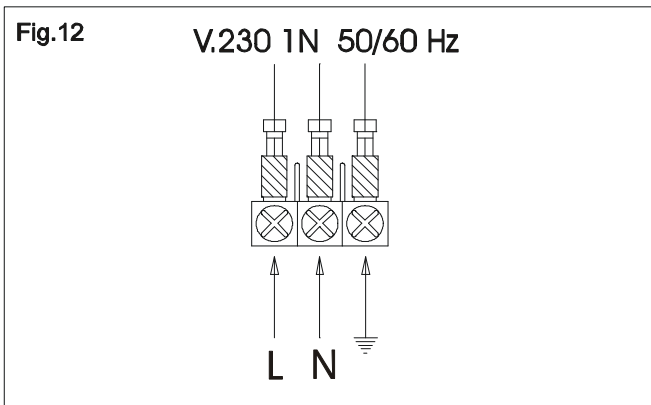
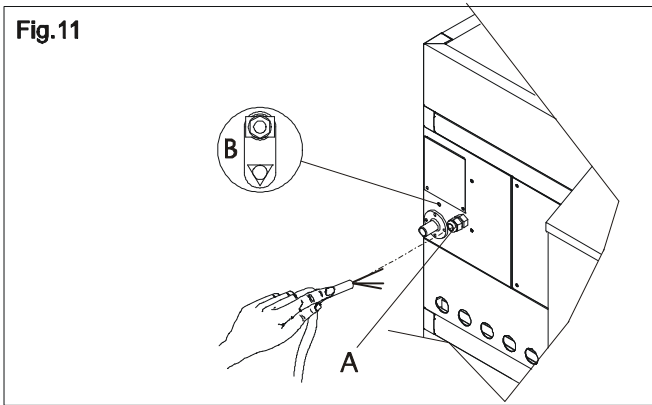
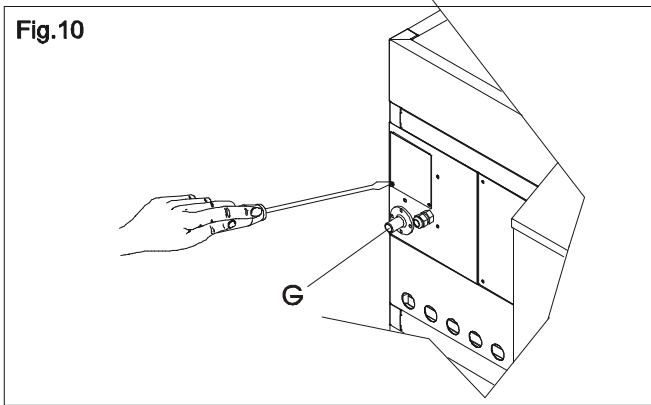
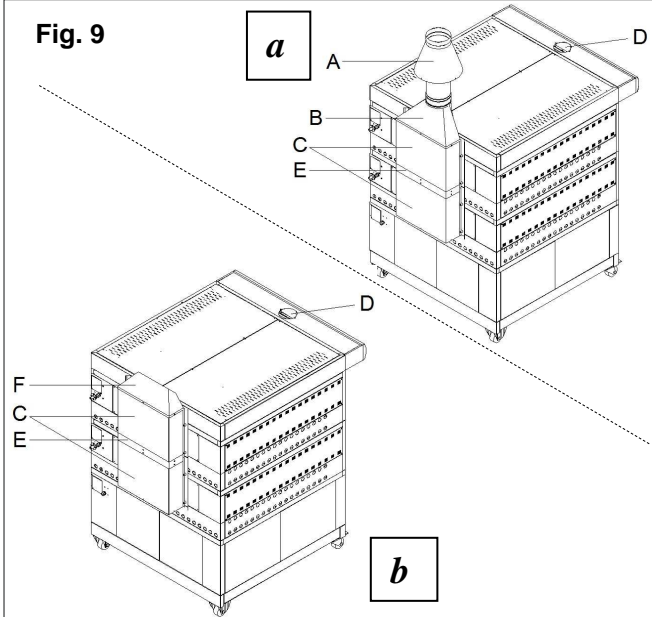
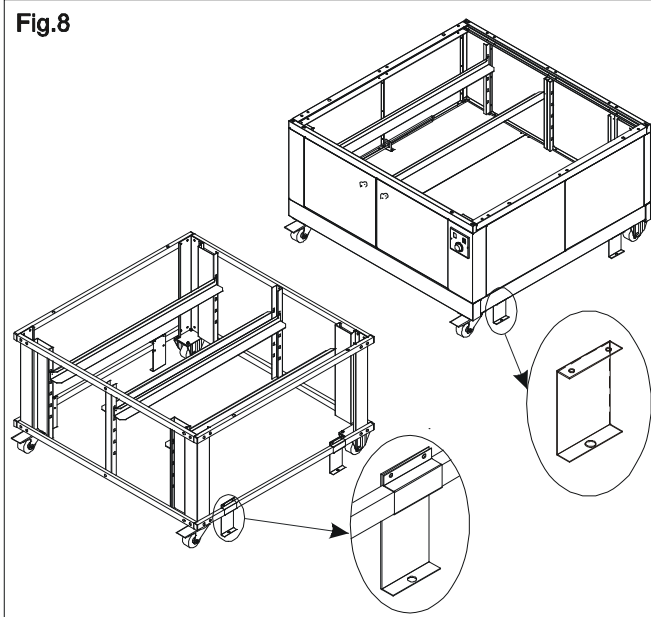


Fig.16

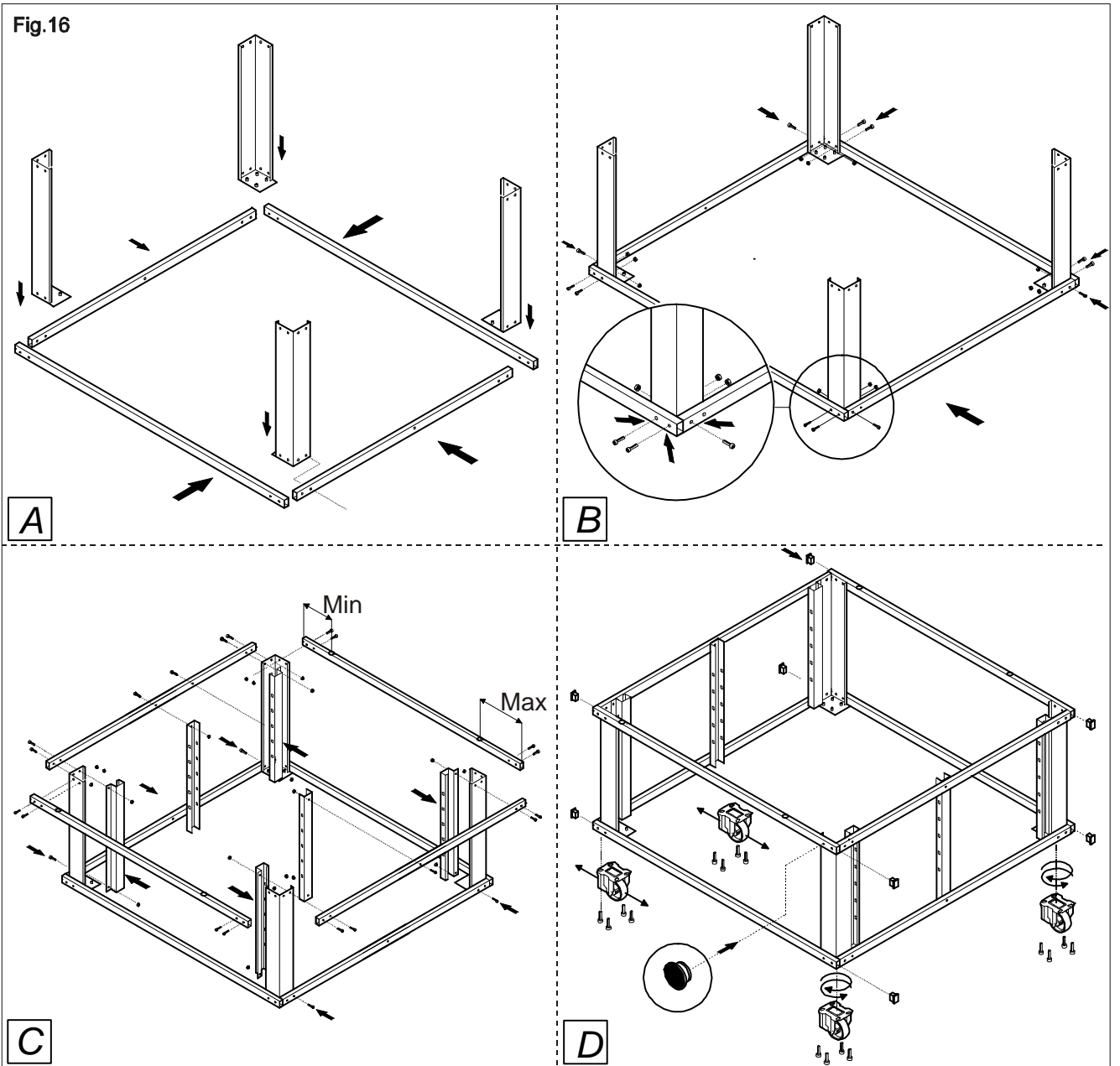


Fig.17

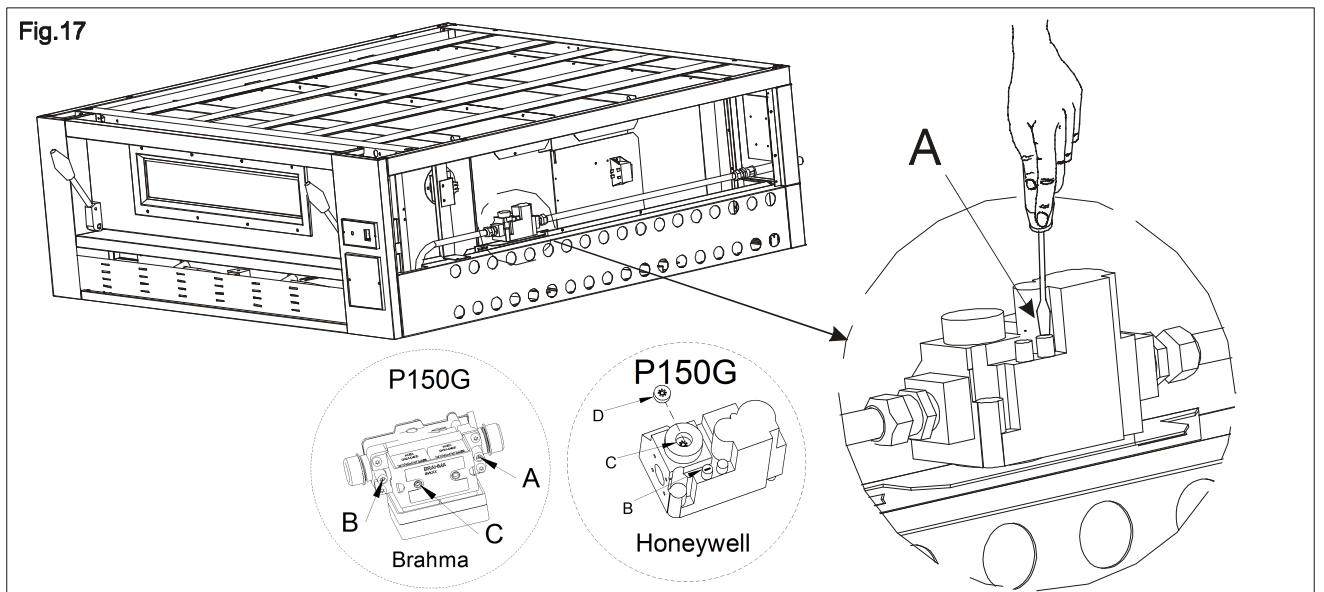


Fig.18

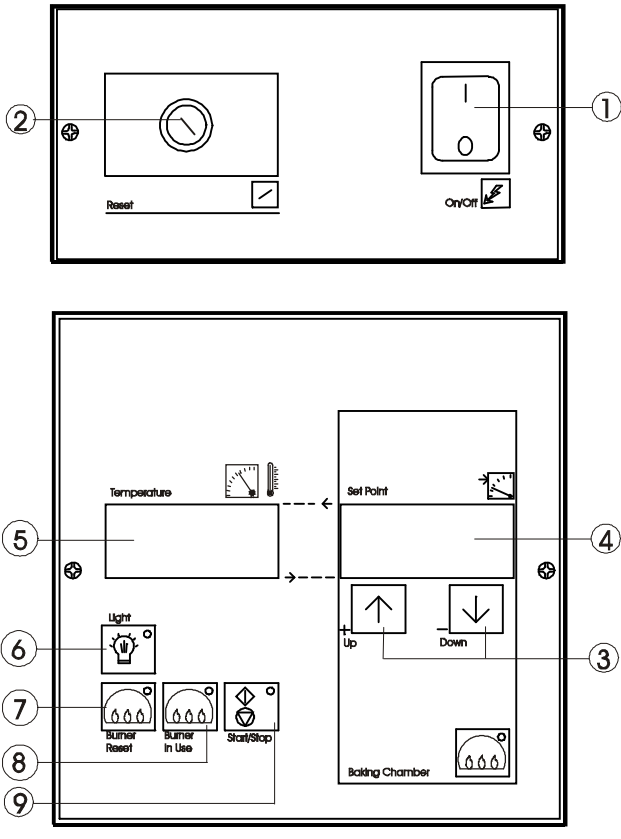


Fig.19

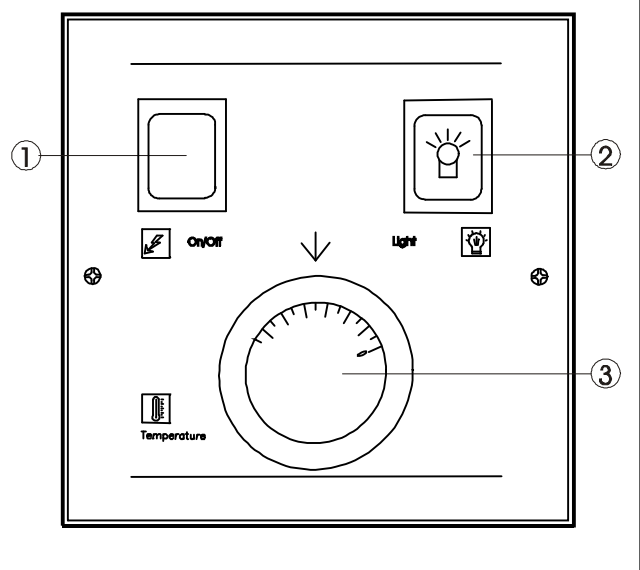


Fig.20

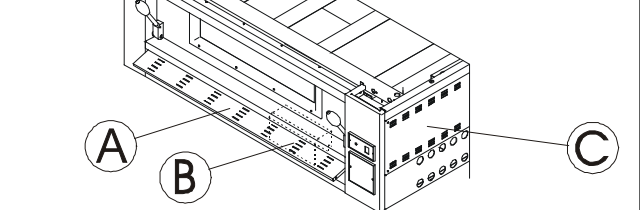


Fig.21

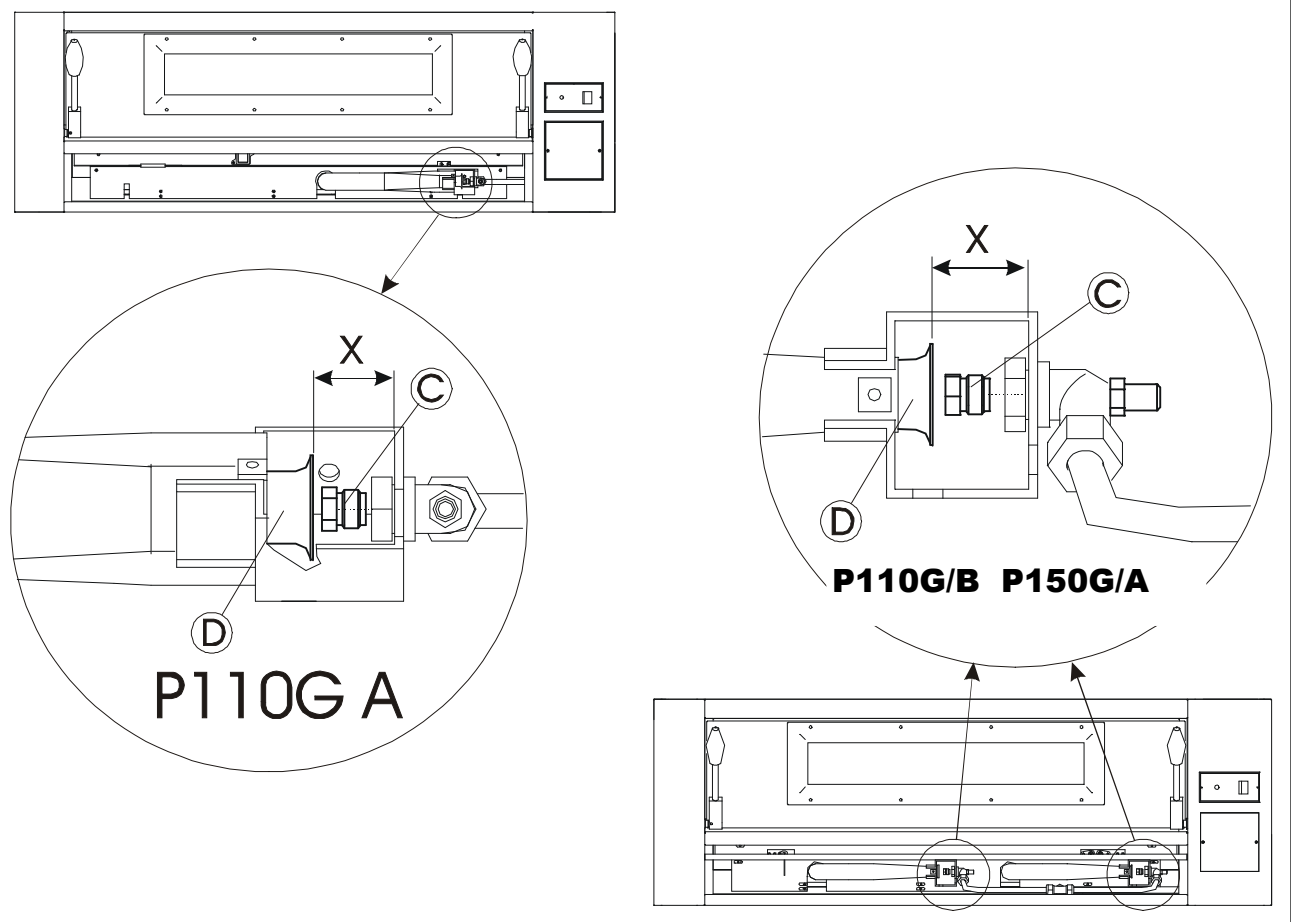


Fig.22

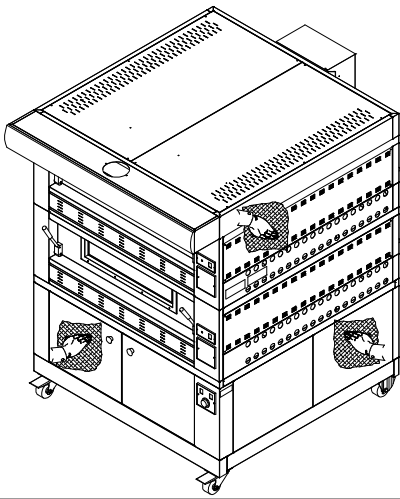


Fig.23

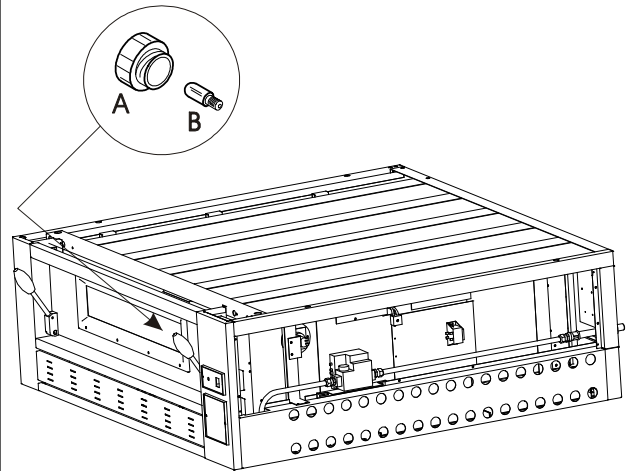


Fig.24

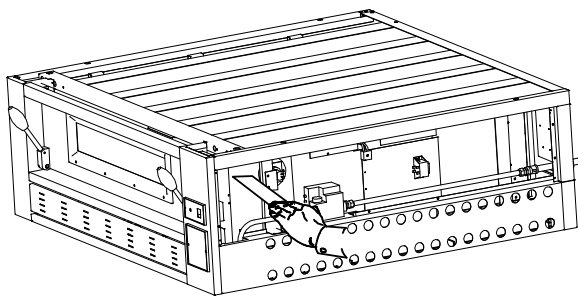


Fig.25

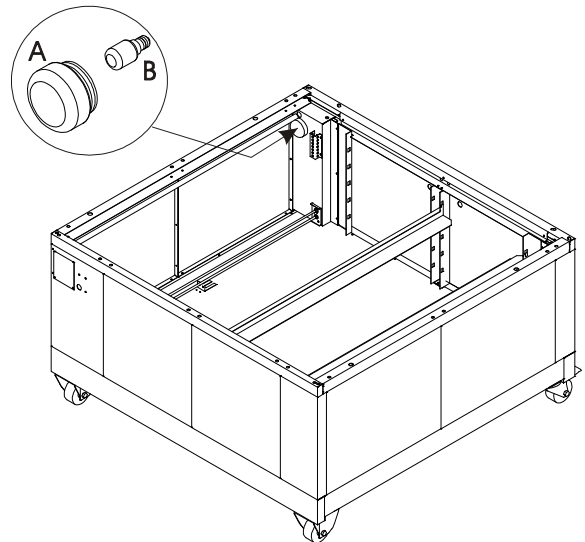


Fig.26

For Australia only

CONESNAPED MALE  
GAS MANIFOLD G 1/2"

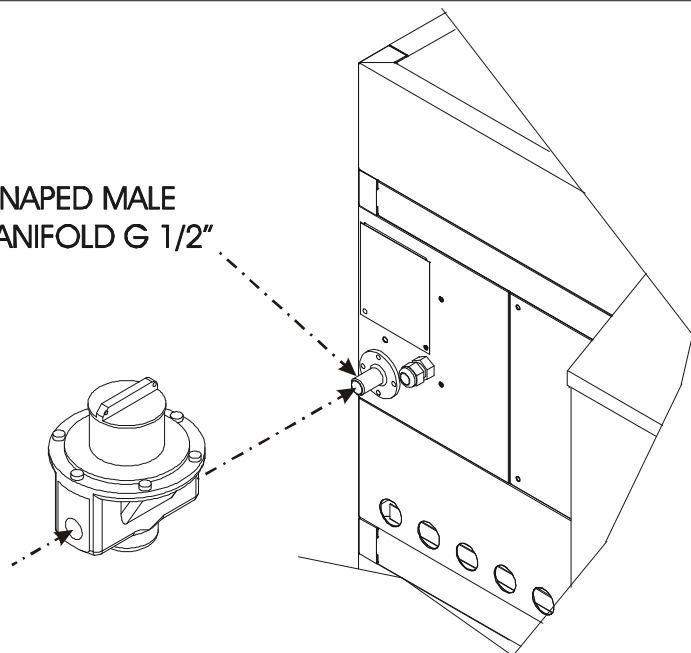


Fig.27

For Australia only

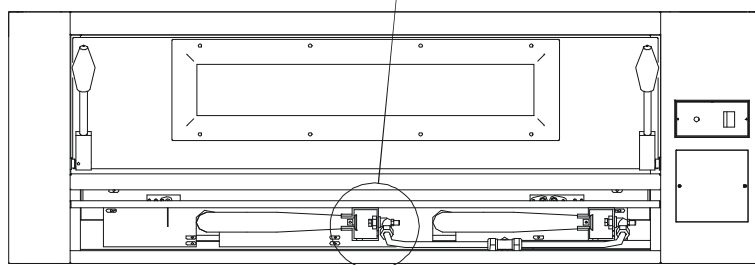
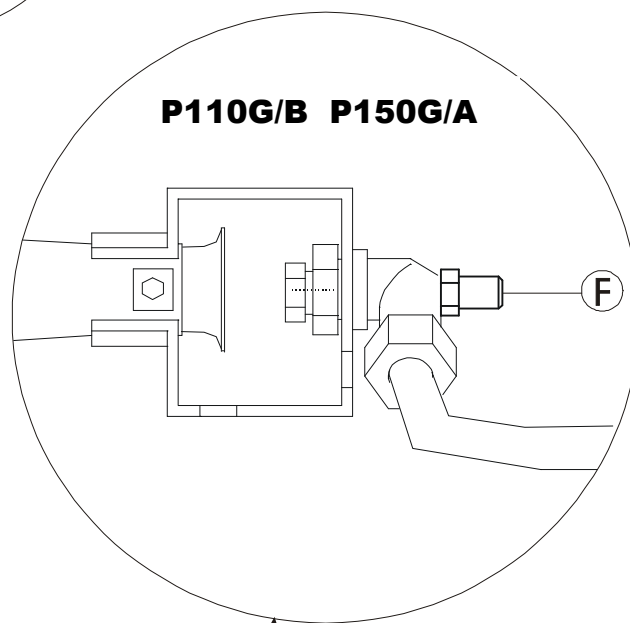
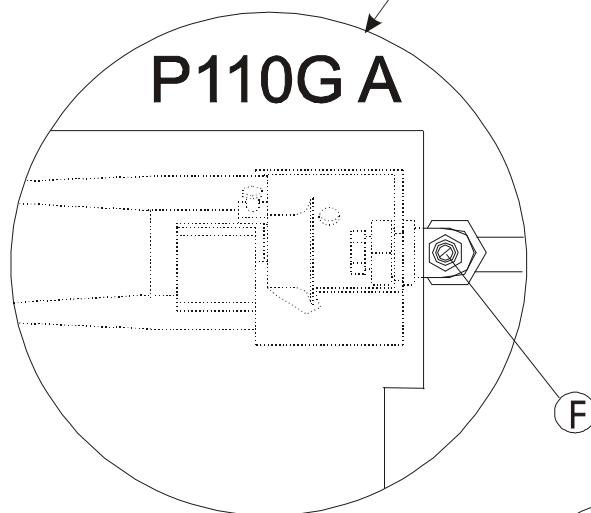
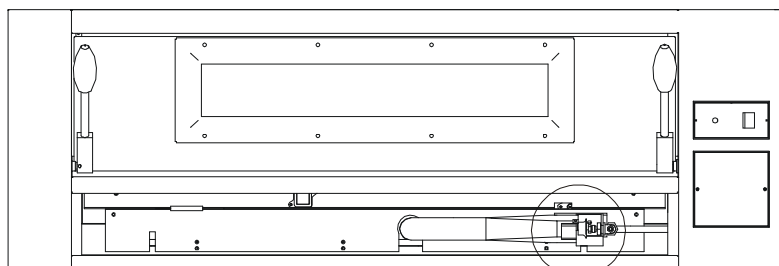
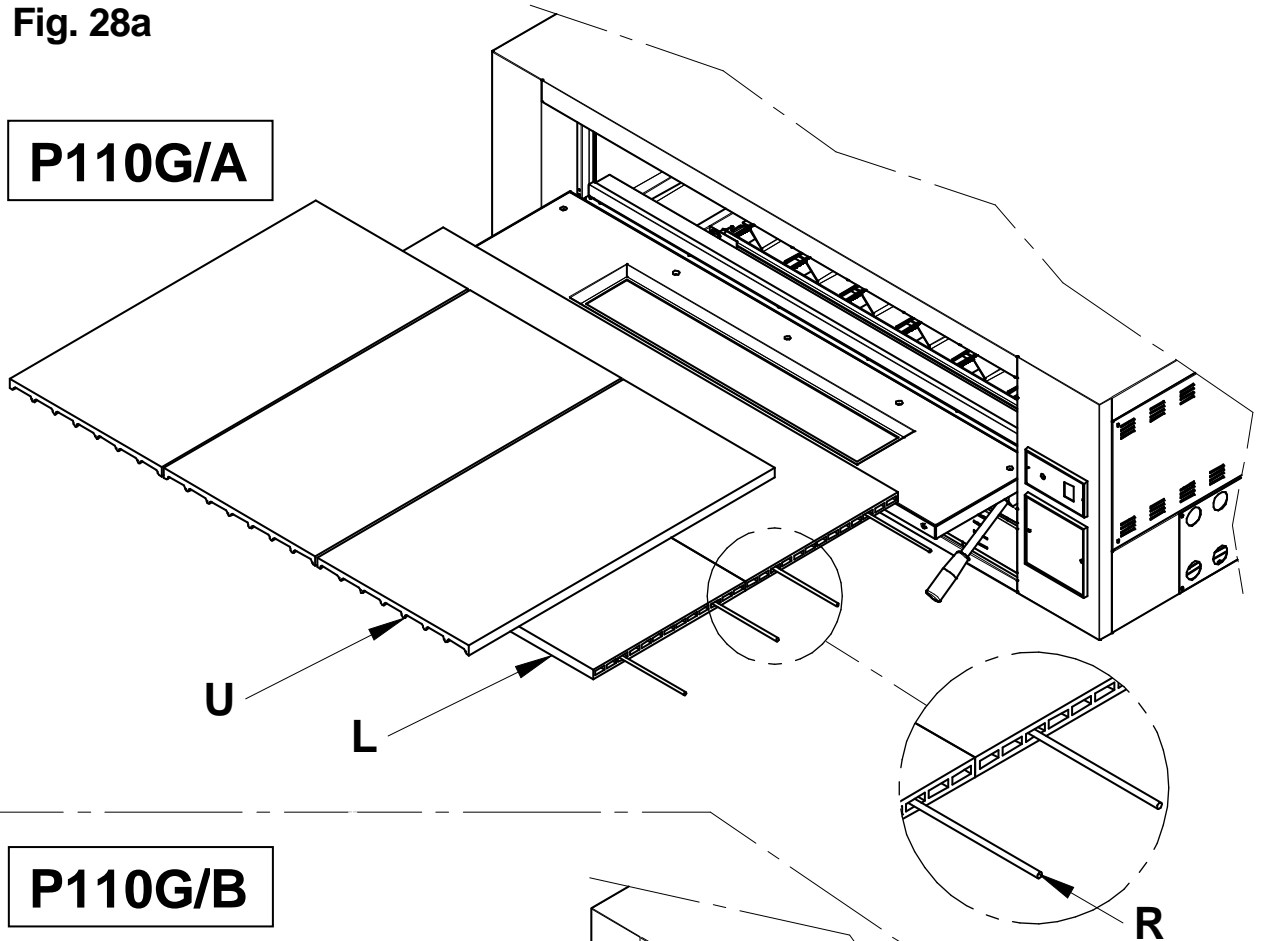


Fig. 28a

P110G/A



P110G/B

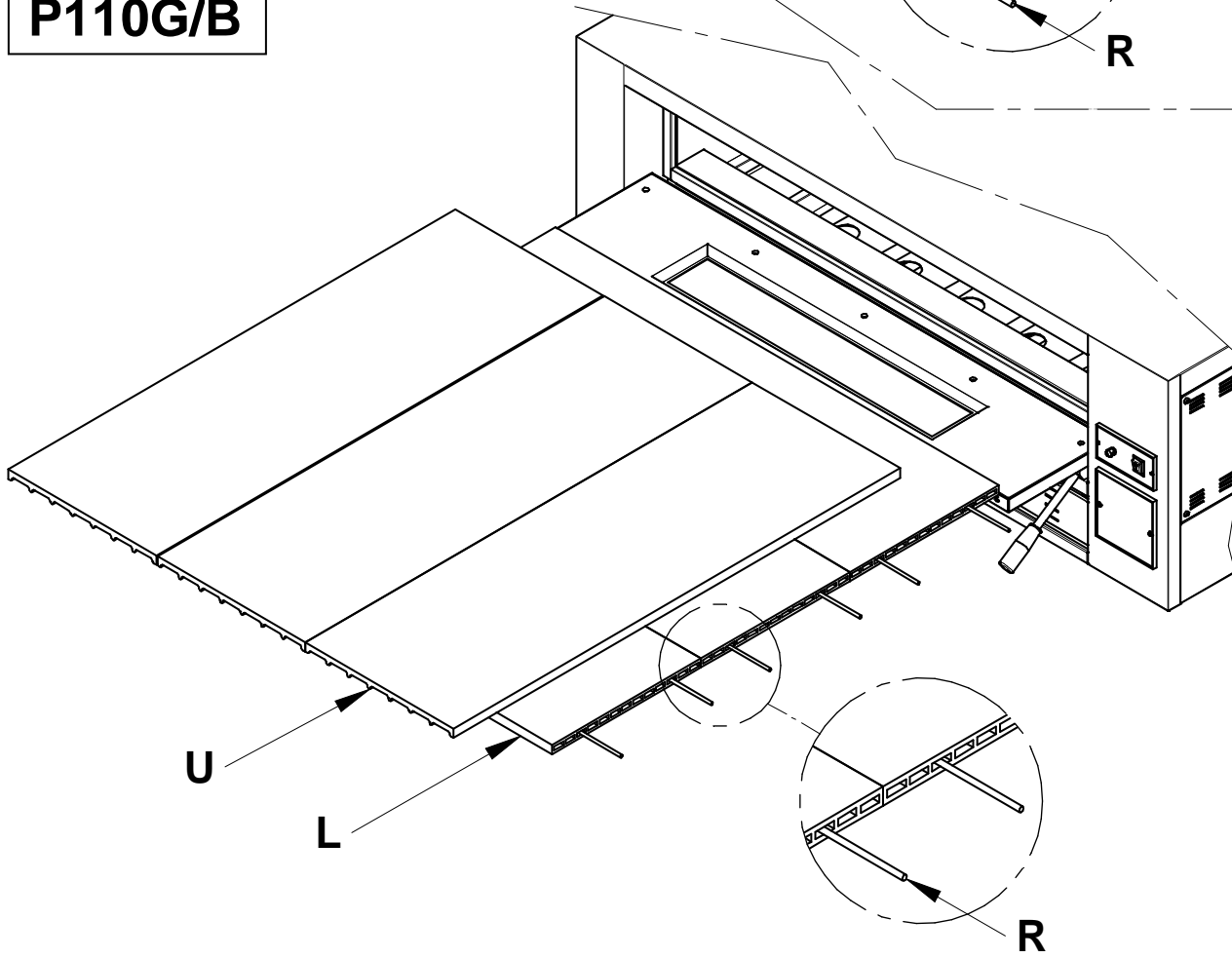
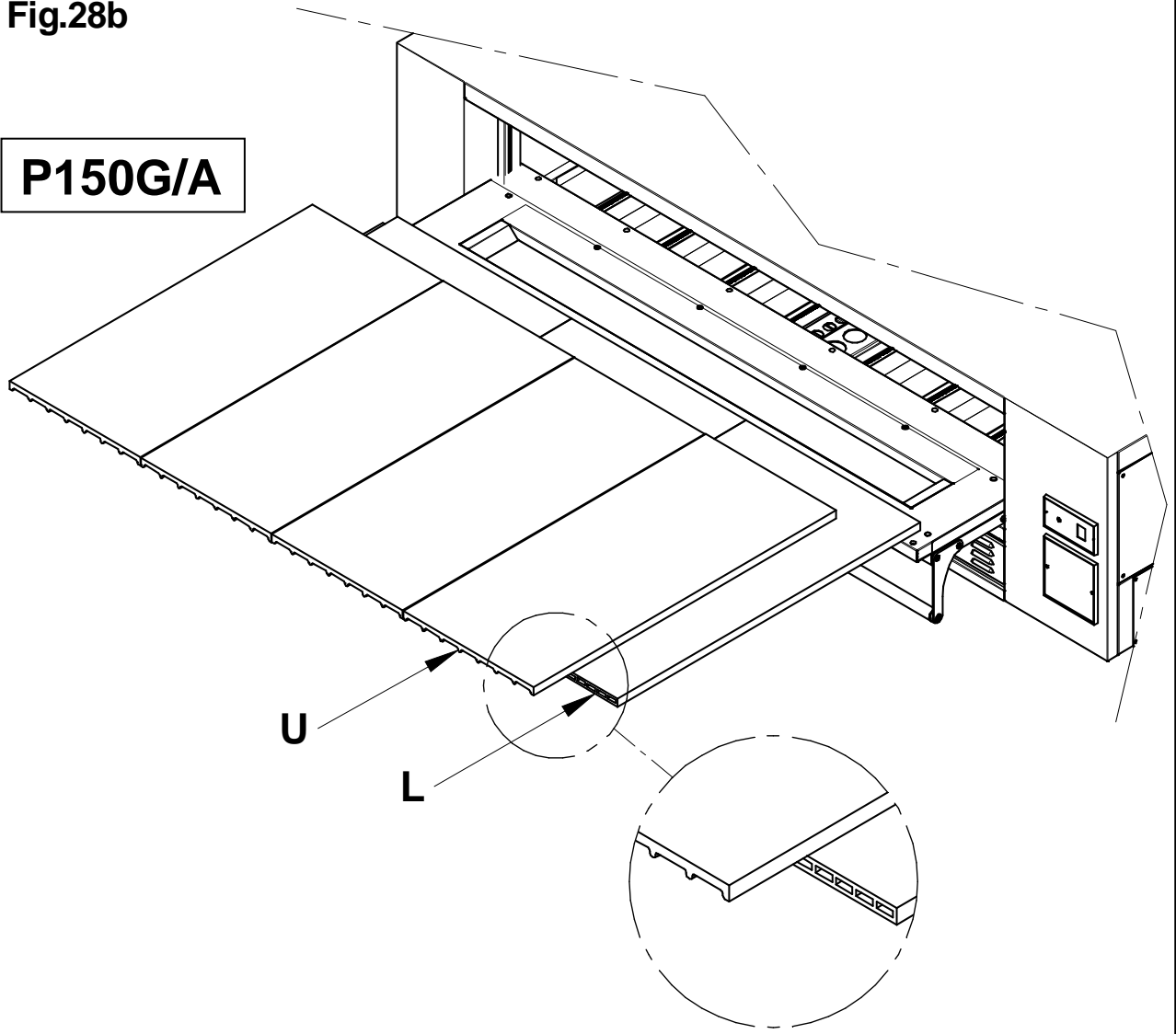




Fig.28b

P150G/A



**Fig. 29**

