

# BEDIENUNGSANLEITUNG



KBS Gastrotechnik GmbH – Schoßbergstraße 26 – 65201 Wiesbaden

# ARMADI PER GELATERIA E PASTICCERIA

# REFRIGERATORS FOR ICE CREAM AND PASTRY

# KÜHLSCHRÄNKE FÜR EIS UND KONDITOREI

# ARMOIRES POUR LA GLACE ET LA PÂTISSERIE

# ARMARIOS PARA HELADO Y LA REPOSTERÍA

# KOELKASTEN IJS EN GEBAK

# KØLESKABE TIL ISCREME OG KONDITORVARER

# МОРОЗИЛЬНЫЕ ШКАФЫ

خزائن مبردة

## BETRIEBS- UND INSTALLATIONSANLEITUNG

FUNKTIONSBESCHREIBUNG	9	DEUTSCH
ERHALT DER WARE UND BESEITIGUNG	9	
INBETRIEBNAHME	10	
SCHALTТАFEL	11	
PARAMETER UND FEHLERSUCHE	13	
REINIGUNG, WARTUNG UND STÖRUNG	14	
ABMESSUNGEN, SCH. DES KÜHLKREISLAUFS	57	

## INSTRUCTIONS D'INSTALLATION ET D'UTILISATION

DESCRIPTION FONCTIONELLE	21	FRANÇAIS
RECEPTION ET ELIMINATION DE L'APPAREIL	21	
MISE EN SERVICE	22	
PANNEAU DE COMMANDE	23	
PARAMETRES ET RECHERCHE PANNES	25	
NETTOYAGE ET ENTRETIEN	26	
DIMENSIONS, SCHEMA CIRC. FRIGORIFIQUE	57	

## USUARIO MANUAL

DESCRIPCIÓN FUNCIONAL	27	ESPAÑOL
ELIMINACIÓN DEL APARATO	27	
PUESTA EN FUNCIONAMIENTO	28	
PANEL DE CONTROL	29	
PARÁMETROS Y BÚSQUEDA DE AVERÍAS	31	
LIMPIEZA Y MANTENIMIENTO	32	
DIMENSIONES, ESQUEMA DEL CIRCUITO FR.	57	

## INSTRUCTIES VOOR DE INSTALLATIE, HET GEBRUIK EN HET ONDERHOUD

FUNCTIONELE BESCHRIJVING	33	NEDERLANDS
ONTVANGST EN ONTMANTELING	33	
IN WERKING ZETTEN	34	
BEDIENINGSPANEEL	35	
PARAMETERS EN OPSPOREN VAN DEFECTEN	37	
REINIGEN EN ONDERHOUD	38	
AFMETINGEN EN FUNCTIONEEL SCHEMA	57	

## INSTRUKTIONER TIL INSTALLATION, BRUG OG VEDLIGEHOLDELSE

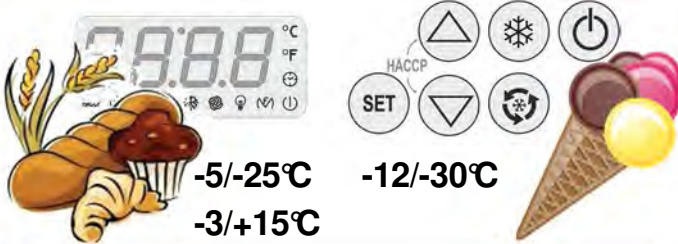
FUNKTIONSBESKRIVELSE	39	DANSK
MODTAGELSE OG BORTSKAFFELSE	39	
IGANGSÆTNING	40	
KONTROLPANEL	41	
PARAMETRE OG FEJLSØGNING	43	
RENGØRING OG VEDLIGEHOLDELSE	44	
DIMENSIONER, FUNKTIONSSKEMA	57	

## ИНСТРУКЦИИ ПО УСТАНОВКЕ, ИСПОЛЬЗОВАНИЮ И ТЕХНИЧЕСКОМУ ОБСЛУЖИВАНИЮ

ОПИСАНИЕ ФУНКЦИОНИРОВАНИЯ	45	РУССКИЙ
ПОЛУЧЕНИЕ И ВЫВОД ИЗ ЭКСПЛУАТАЦИИ	45	
ВВОД В ЭКСПЛУАТАЦИЮ	46	
ПАНЕЛЬ УПРАВЛЕНИЯ	47	
ПАРАМЕТРЫ И ПОИСК НЕИСПРАВНОСТЕЙ	49	
ЧИСТКА, ТЕХОБСЛУЖИВАНИЕ	50	
РАЗМЕРЫ, СХЕМА ХОЛОДИЛЬНОГО КОНТУРА	57	

## تعليمات للتثبيت والاستعمال والصيانة

وصف الوظائف	51	عربي
استقبال وتصريف	51	
التشغيل	52	
لوحة التحكم	53	
معايير وبحث عن الأعطال	54	
تنظيف وصيانة	55	
أبعاد، ومخطط الوظائف	57	



## ISTRUZIONI PER L'INSTALLAZIONE, L'USO E LA MANUTENZIONE

DESCRIZIONE FUNZIONALE	15	ITALIANO
RICEVIMENTO E DISMISSIONE	15	
MESSA IN FUNZIONE	16	
PANNELLO COMANDO	17	
PARAMETRI E RICERCA GUASTI	19	
PULIZIA E MANUTENZIONE	20	
DIMENSIONI, SCHEMA FUNZIONALE	57	

## USER MANUAL

GENERAL RECOMMENDATIONS	3	ENGLISH
RECEPTION AND DISPOSING OF UNIT	3	
START-UP	4	
CONTROL PANEL	5	
SETTINGS AND TROUBLE SHOOTING	7	
CLEANING AND MAINTENANCE	8	
DIMENSIONS; REFRIG. CIRCUIT DIAGRAM	57	

RATING PLATE		MARIKELANGABEN		TARGHETTA TECNICA	
1. Manufacturer	2. Serial number	1. Hersteller	2. Seriennummer	1. Costruttore	2. Matricola
3. Code	4. Model	3. Kodenummer	4. Modell	3. Codice	4. Modello
5. Voltage		5. Spannung		5. Tensione	
6. Running absorbed current		6. Stromaufnahme in Betrieb		6. Corrente assorbita in funzionamento	
7. Max refrigerant power		7. Kälteleistung		7. Potenza refrigerante	
8. Running absorbed power		8. Leistungsaufnahme in Betrieb		8. Potenza assorbita in funzionamento	
9. Defrost heating element power		9. Abtauheizungleistung		9. Potenza della resistenza di sbrinamento	
10. Other elements nominal power		10. Nennleistung anderer Heizungen		10. Potenza nominale di altre resistenze	
11. Lamp power		11. Lichtleistung		11. Potenza lampada	
12. Max and min. pressure		12. Mindest- und Höchstleistung		12. Pressione minima e massima	
13. Refrigerant, type and q.ty		13. Kältemittel, Art und Menge		13. Refrigerante, tipo e quantità	
14. Net capacity		14. Nettokapazität		14. Capacità netta	
15. Insulation expanding gas		15. Expansionsmittel		15. Gas espandente nell'isolamento	
16. Manufacture year	17. Climatic class	16. Baujahr	17. Klimaklasse	16. Anno fabbricazione	17. Classe climatica

PLAQUE SIGNALÉTIQUE		DATOS DE MATRÍCULA		TECHNISCH LABEL	
1 Constructeur	2 Matricule	1. Constructor	2. Matricula	1 Constructeur	2 Registratie
3 Code	4 Modèle	3. Codigo	4. Modelo	3 Code	4 Model
5 Tension		5. Tension		5 Spanning	
6 Courant absorbé en marche		6. Corriente absorbida en funcionamiento		6 Opgenomen stroom in werking	
7 Puissance frigorifique		7. Potencia frigorífica		7 Vermogen koelmiddel	
8 Puissance absorbée en marche		8. Potencia absorbida en funcionamiento		8 Opgenomen vermogen in werking	
9 Puissance de la résistance de dégivrage		9. Potencia de la resistencia de descongelacion		9 Vermogen van de weerstand voor ontdooien	
10 Puissance nominale des autres résistances		10. Potencia nominal de otras resistencias		10 Nominaal vermogen van andere weerstanden	
11 Puissance lampe		11. Potencia lampara		11 Vermogen lamp	
12 Pression min. et max.		12. Pression minima y maxima		12 Minimale en maximale druk	
13 Réfrigérant, type et quantité		13. Réfrigérant, tipo, cantidad		13 Koelmiddel, type en hoeveelheid	
14 Capacité nette		14. Capacidad neta		14 Netto capaciteit	
15 Gaz détendant dans l'isolation		15. Gas exteindende in el aislamiento		15 Uitzettend gas in de isolering	
16 Année de fabrication	17 Classe climatique	16. Año de fabricación	17. Clase climatica	16 Bouwjaar	17 Klimaatklasse

TEKNISK MÆRKEPLADE		ТЕХНИЧЕСКАЯ ТАБЛИЧКА		اللوحة الفنية	
1 Fabrikant	2 Matrikelnr.	1 Изготовитель	2 Серийный номер	1 الشركة الصانعة	2 رقم التسجيل
3 Kode	4 Model	3 Код	4 Модель	3 الكود	4 الموديل
5 Spænding		5 Напряжение		5 الجهد	
6 Strømforgbrug i drift		6 Ток, поглощаемый при		6 التيار المستهلك في التشغيل	
7 Kølebordseffekt		7 Мощность охлаждения		7 قدرة التبريد	
8 Effektforbrug i drift		8 Мощность, поглощаемая при функционировании		8 قوة التيار المستهلك في التشغيل	
9 Effekten på afrimningens modstand		9 Мощность сопротивления		9 قدرة مقاومة إذابة الثلج	
10 Andre modstandes mærkeeffekt		10 Номинальная мощность других сопротивлений		10 القدرة الاسمية لمقاومات أخرى	
11 Lampens effekt		11 Мощность лампы		11 قدرة المصباح	
12 Minimum og maksimum tryk		12 Минимальное и максимальное		12 الضغط الأدنى والأقصى	
13 Kølemiddel, type og mængde		13 Охлаждения, тип и количество		13 المبرد، النوع، الكمية	
14 Nettokapacitet		14 Емкость		14 القدرة الصافية	
15 Ekspanderende gas i isoleringen		15 Газ, расширяемый при изоляции		16 الغاز المتمدد في العزل	
16 Fabrikationsår	17 Klimaklasse	16 Год выпуска	17 Климатический класс	16 تاريخ الصنع	17 الفئة المناخية

Rev. Descrizione modifica  
02/13 Prima emissione  
03/13 Aggiunte traduzioni  
05/13 Aggiunti parametri EN BT e TN

1		2		3	
MATICOLA - SERIEN NR. SERIAL NO. - NO. OE SERIE					
CODICE - CODE CODE - CODI					
MODELLO - TYPE - MODÈLE - MODELL		4		5	
CURRENT CORRIENT INTENSIDAD CORRIANT CORRIENTE	6 A	POTENZA LESIONE POWER PRESSANCE	7 W	PET. ASSORBITA REKUPONERINGS ASSORPTION ABSORPTION	8 W
DEFROSTING HEATING ELEMENTS	9 W	OTHER HEATING ELEMENTS	10 W	LAMP/ER LIGHTING LAMP'S BELICHTING ECLAIRAGE	11 W
PRESSIONE RIKSK PRESSION PRESS.	min 12 kPa max 12 kPa			CAPACITÀ NETTA - NETTOOM - NET CAPACITY - CAPACITE NETTE	14 l
REFRIGERANTE/KÄLTMITTEL REFRIGERANT GAS REFRIGERANT	min kPa max kPa				l
GAS ESPANDENTE COOLING GAS KÄLTMITTEL FLUIDE-BELICHTERANTE	13 g				
	g				
ANNO - JAAR YEAR - ANNE'	15	16		CE	
				CL.17	

## ■ General recommendations, reception and disposing of unit

### ■ INTENDED USE

- This appliance is designed for indoor use and should only be used to store food and beverages.
- Conservation models (low temperature) have been realized to store only pre-frozen products.
- The device should not be used by people (including children) of limited physical or motor capacity, or who lack the necessary skill or expertise, unless aided or instructed by another person responsible for their safety.
- Children should be supervised to ensure they do not play with the device.
- Never place liquids or hot food into the appliance and do not fill lidded containers to the top.
- Never place carbonated beverages into the low-temperature compartment.  
They may explode.
- In all appliances there are surfaces subject to frosting. Depending on the model, frost may be melted away either automatically (automatic defrost) or manually. Never attempt to remove frost using a pointed object  
You could irreparably damage the appliance.
- Do not use any mechanical device or other artificial means to accelerate the defrost process.
- The Manufacturer declines all responsibility, and the warranty shall be null and void, if electrical and/or mechanical alterations are made to the product.

### ■ CONTROLS AT RECEPTION

On arrival, check that the appliance has not incurred transport damage and that it is complete according to the order.

- In the event of visible damage immediately note the damage on the transport documents with the following wording: "RECEIVED WITH RESERVE FOR EVIDENT DAMAGE OF PACKING".



ALL THE OPERATIONS INDICATED BELOW MUST BE PERFORMED IN RESPECT OF EXISTING SAFETY REGULATIONS, BOTH FOR THE EQUIPMENT IN USE AND FOR THE OPERATING PROCEDURES



BEFORE BEGINNING HANDLING OPERATIONS ENSURE THAT THE LIFTING CAPACITY IS SUFFICIENT FOR THE APPLIANCE IN QUESTION

### ■ HANDLING

HANDLING with FORK LIFT or SIMILAR

Insert the forks into the side of back of the wooden pallet supplied with the appliance.

Begin lifting checking that the appliance is in stable equilibrium.



DURING HANDLING OPERATIONS DO NOT TIP OR TURNOVER



IF IT'S NECESSARY TO TRANSPORT APPLIANCE DIFFERENTLY AS IN ITS WORKING POSITION, YOU HAVE TO WAIT AT LEAST 2 HOURS BEFORE OPERATING.

KEEP DRY



STACKING OF OTHER OBJECTS ON THE APPLIANCE MUST BE ABSOLUTELY AVOIDED.

### ■ UNPACKING

Remove the protection without using tools that may damage the surface.

Keep the packing out of the reach of children as it could be a danger hazard.

Dispose of the packing to the specialized collection or recycling points (respect existing regulations).

- Check that the serial number corresponds to the transport documents.

### ■ RESIDUAL RISKS

- The refrigerator equipment has been designed and manufactured with the appropriate devices to guarantee the health and safety of the user and does not contain dangerous edges, sharp surfaces or protruding elements.
- The stability of the machine is guaranteed even when the doors are open; however, do not pull on the doors.
- In the case of refrigerators with drawers, do not open more than one drawer at a time and do not lean or sit on an open drawer, so as to avoid overturning or damaging the refrigerator.
- N.B.: In refrigerators with glass doors do not extract more than one basket or rack at a time so as not to compromise the stability of the refrigerator.
- In case of appliance with wheels, when moving, take care not to forcefully push the refrigerator so as avoid overturning and damage. Also note any unevenness of the surface on which the refrigerator is being pushed.
- ALWAYS BLOCK THE WHEELS WITH THE STOPS PROVIDED.

### ■ NOISE LEVEL

- The A-weighted emission sound pressure level at workstations NOT exceeds 70 dB(A);

### ■ DISPOSAL OF UNIT

- Our appliances contain the refrigerant shown on the corresponding rating plate as per Regulation (EC) No. 2037/2000 of 29 June 2000; in addition, the appliance is composed of reusable or recyclable parts and materials. Therefore, at the end of its lifetime, the appliance should be delivered to a specific disposal center.  
The best method to ensure that no one will remain trapped inside is to take off the door completely.
- The appliance must not be disposed of together with household waste and metal scrap.
- Absolutely avoid damaging the refrigeration circuit, particularly near the heat exchanger.



COMPLY WITH LOCAL REGULATIONS IN FORCE CONCERNING THE FINAL DISPOSAL OF THIS TYPE OF EQUIPMENT.



## ■ Start-Up

### IMPORTANT



**BEFORE CONNECTING THE APPLIANCE CHECK THAT THE DATA ON THE SERIAL PLATE CORRESPOND TO THE ACTUAL ELECTRICAL SUPPLY. THE SERIAL PLATE GIVING THE ELECTRICAL DATA REQUIRED IN THE INSTALLATION IS FOUND ON THE RIGHT SIDE OF THE COMPARTMENT.**

An incorrect power supply could be cause of fire, electric shake or accident.

**THE INSTALLATION MUST BE MADE ACCORDING TO THE INSTRUCTIONS GIVEN IN THIS SECTION, BY PROFESSIONALLY QUALIFIED PERSONNEL.**

**THE ELECTRICAL SAFETY OF THIS APPLIANCE IS ONLY GUARANTEED WHEN IT IS CONNECTED TO AN EFFICIENT EARTHING PLANT AS PRESCRIBED BY EXISTING ELECTRICAL SAFETY REGULATIONS.**

A connection to a defective earthing plant would be cause of short-circuit or electric shake in the case of malfunction.



**THE APPLIANCE MUST ALSO BE FITTED WITH AN EQUIPOTENTIAL SYSTEM WHOSE EFFICIENCY MUST BE VERIFIED ACCORDING TO EXISTING REGULATIONS.**

**THE USE OF ADAPTERS, MULTI-PLUGS, AND/OR EXTENSION LEADS IS STRICTLY PROHIBITED**

### ■ PRELIMINARY GENERAL CHECKS

Check that the floor is able to support the weight of the appliance and that it is level.

Control the appliance is perfectly level. Regulate the adjustable feet if necessary. Use a level, if needed. The maximum permissible deviation from the horizontal plane is +/-0.5 degrees.

All four feet should rest on the floor.

Appliances fitted with wheels cannot be leveled, therefore, ensure that the surface on which they rest is perfectly horizontal and level.

Otherwise the stability of the equipment is compromised and can cause the fall of it; The proper operation of the doors could be compromised.

■ To avoid possible forming of condensate or ice, there should be a free space of at least 5cm between the appliances. On models with built-in refrigerating unit, there has to be a free space of at least 50cm in front (tables) or above (cupboards);

■ Do not place the appliance close to heat sources (such as ovens, radiators, etc.) or exposed to direct sunlight; do not prevent air from circulating inside the engine compartment. Not to respect these norms can cause serious damages to the refrigerating circuit or to products contained in the equipment.

■ If the appliance has been moved, wait for a while before switching it on again. In particular, if the handling was made differently as in it's working position, you need to wait at least 2 hours.

■ Remove the plastic protection from the external surfaces and wash the inside part with warm water and mild soap.

■ Keep away from children the closing keys (if available).

### ■ PRELIMINARY ELECTRICAL CHECKS AND START-UP.

■ The network voltage and frequency values should be the same of those reported on the appliance part number plate (point 6 of the "Rating Plate" paragraph).

An incorrect power supply could be cause of fire, electric shake or accident.

■ • Fit a 16A fuse upstream from the socket.

■ • Switch the main switch that will be connected to the power lead plug to the OFF position.



CONNECT THE DEVICE TO THE MAINS USING THE PLUG PROVIDED.



THE PLUG MUST BE EASY TO ACCESS WHEN THE DEVICE IS INSTALLED

■ Check that the socket is suitable for the appliance plug. If necessary, the socket should be replaced with an appropriate one by qualified personnel. These personnel should also make sure that the socket cable section is appropriate to the power absorbed by the appliance. Check that the plug is plugged into the socket

■ After the above controls have been thoroughly completed the appliance may be started-up:

■ Turn the main switch, connected to the power cable plug, to the ON position.

■ Press the key "ON/STAND BY" of the control panel to switch on the appliance.

After about 1 minute, the compressor will start cycling until internal temperature reaches the factory-set value.

■ To modify the factory setting of this value consult the CONTROL PANEL section.



DO NOT LOAD THE APPLIANCE UNTIL THE SET TEMPERATURE VALUE HAS BEEN REACHED

NEVER EXCEED THE MAX. LOADING LIMIT SHOWED ON THE STICKER PLACED INSIDE THE COMPARTMENT

### ■ OPERATION

■ Proper storage of foodstuffs is a relevant factor in the safe and sanitary production of food; in addition, it improves the efficiency of foodservice activities and positively affects energy consumption. Follow the directions below to obtain the highest performance possible out of your appliance.

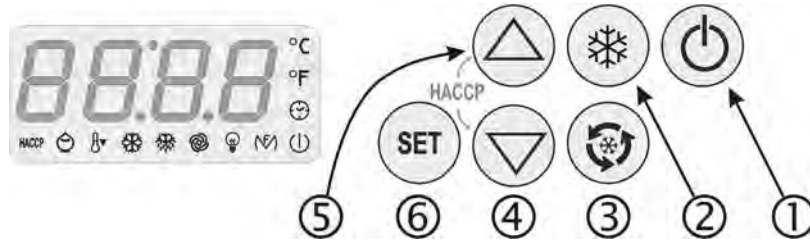
■ Products should always be stored on the shelves; do not place any products on the cabinet's bottom.



PRODUCTS SHOULD BE PLACED INTO THE APPLIANCE IN SUCH A WAY AS TO ALLOW UNOBSTRUCTED AIRFLOW.

ALWAYS LEAVE SOME FREE SPACE BETWEEN THE PRODUCTS AND PREVENT THEM FROM COMING IN CONTACT WITH THE WALLS. IF NEEDED, ADJUST THE DISTANCE BETWEEN SHELVES.

## ■ Control Panel



### ■ KEYPAD and ASSOCIATED FUNCTIONS

- The keypad is blocked by keeping and pressed simultaneously for a few seconds: "Loc" will appear on the display.
- Pressing them once again will unblock the keypad: "UnL" will appear on the display.

#### ① ON/STAND BY

Press this button for a few seconds to switch the appliance into status **ON** or **STAND BY**.

#### ② MANUAL DEFROSTING

Press this button for a few seconds to activate manual defrosting, if the temperature of the evaporator allows it and provided that the Overcooling function is not activated.

If the defrosting time interval elapses while Overcooling is in progress, the former will be activated upon conclusion of the latter.

#### ③ CHAMBER LIGHT / CONTINUOUS COLD (IF PRESENT)

Press the auxiliary button to switch the chamber light on and off manually (only glass door version)

Press it for 4 sec. to prepare the appliance for its intense use during the refrigerator production and load phase (if present)..

The latest time set appears on the display and it can be modified pressing the UP and DOWN keys (with adjustment every 30 minutes). Hold the key down to start the cycle; a defrosting cycle is started (if required); then, the compressor will run continuously for the time set, without any other defrosting cycles.

The display shows alternatively the remaining time and cell temperature.

During this phase, press the key again to modify the set time or stop the cycle resetting the value to "00:00" and then hold the key down again .

#### ④ DOWN button

This scrolls the menu items and decreases the values.

#### ⑤ UP button

This scrolls the menu items and increases the values.

When pressed for a few seconds, the low RH% function ("rhL" appears on the display) or the high RH% function ("rhH" appears on the display) is activated for 10 seconds.

If the function is not available and the button is pressed, "----" will appear on the display.

#### ⑥ SET POINT

This provides access to the set point edit function.

### ■ STOPPING THE BUZZER (IF PRESENT)

Briefly press any button.

### ■ SETTING THE SET POINT

- Press the SET () button: the compressor LED will flash.
- Press the UP () or DOWN () button within 15 seconds.

- Press the SET () button or do not operate for the compressor LED to go off, after which the instrument will exit from the procedure.



**DO NOT PERFORM ANY MAINTAINANCE WHEN THE APPLIANCE IS IN ON OR STAND BY**  
**DISCONNECT FROM ELECTRICAL POWER SUPPLY NET.**

### ■ INDICATORS

LED	MEANING
	<b>ON:</b> The compressor is on <b>FLASHING:</b> The working Set Point is being changed Compressor protection in progress
	<b>ON:</b> Defrosting in progress <b>FLASHING</b> Defrosting requested but compressor protection is in progress Dripping in progress; Heating coolant in progress
	<b>ON</b> The evaporator fan is on <b>FLASHING</b> The evaporator fan is being stopped
	<b>ON :</b> Chamber light switched on manually <b>FLASHING</b> Chamber light switched on automatically
	<b>ON</b> The anti-steaming up resistors will be switched on Auxiliary output switched on manually Alarm output activated The door resistors will be switched on <b>FLASHING :</b> Auxiliary output switched on remotely
	<b>ON</b> Overcooling in progress
	<b>ON</b> Alarm or error in progress
	<b>ON:</b> Not all the information regarding the HACCP alarms has been displayed <b>FLASHING :</b> At least one new alarm has been saved <b>OFF :</b> All the information regarding the alarms has been displayed List of the HACCP alarms has been deleted
	<b>ON</b> Energy Saving in progress
	<b>ON</b> Compressor maintenance required
	<b>ON</b> The temperature measurement unit will be degrees Celsius
	<b>ON</b> The temperature measurement unit will be degrees Fahrenheit
	<b>ON:</b> The instrument is on stand-by

### ■ INDICATIONS

CODE	MEANING
rhL	Low RH% function selected
rhH	High RH% function selected
Loc	The keypad is blocked; The working Set Point is blocked
----	Requested function is not available

## 6 ENGLISH

### ■ DISPLAYS

#### CHAMBER TEMPERATURE

Displayed with the instrument on, during normal operation.

#### EVAPORATOR TEMPERATURE (with the evaporator probe present)

Press the DOWN (④) button for a few seconds, then press the UP (⑤) or DOWN (④) button to select "Pb2".

Press the SET (Ⓢ) button for the evaporator temperature to appear on the display. Press SET (Ⓢ) once again or do not operate to return to the chamber temperature.

#### CONDENSER TEMPERATURE (with the condenser probe present)

Press the DOWN (④) button for a few seconds, then press the UP (⑤) or DOWN (④) button to select "Pb3".

Press the SET (Ⓢ) button for the condenser temperature to appear on the display. Press SET (Ⓢ) once again or do not operate to return to the chamber temperature.

#### COMPRESSOR OPERATION TIMER ("HACCP EXTENDED" version)

Press the DOWN (④) button for a few seconds, then press the UP (⑤) or DOWN (④) button to select "CH".

Press the SET (Ⓢ) button for the compressor operation hours to appear on the display. Press SET (Ⓢ) once again or do not operate to return to the chamber temperature.

### ■ SETTING THE DATE AND TIME (IF PRESENT)

■ Press the DOWN (④) button for a few seconds, then press the UP (⑤) or DOWN (④) button to select "rtc".

■ Press the SET (Ⓢ) button for the following to appear on the display in sequence: "yy", "nn", "dd", "hh" and "nn" followed by 2 numbers that correspond respectively to the year, month, day, hour and minutes; values that can be adjusted by acting on the UP (⑤) or DOWN (④) button.

■ To exit from the procedure press ON/STAND-BY(Ⓡ).

### ■ HACCP FUNCTIONS

■ The instrument can save up to 3 HACCP alarms ("HACCP BASIC" version) or 9 alarms ("HACCP EXTENDED" version).

■ The instrument provides the following information:

- the critical value
- the date and time when the alarm was triggered (only "HACCP EXTENDED" version)
- the alarm duration (from 1 min to 99 hr and 59 min, partial if the alarm is still active).

CODE	TYPE OF ALARM	CRITICAL VALUE
AL	minimum temperature alarm	the minimum chamber temperature during this type of alarm
AH	maximum temperature alarm	the maximum chamber temperature during this type of alarm
Id	micro port input alarm	the maximum chamber temperature during this type of alarm
PF	power failure alarm	the chamber temperature when the power is restored (parameter AA)

■ "HACCP BASIC" VERSION: The device updates the information if the new alarm is worse than the one stored or provided that the information have already been shown. If the device is switched off, no alarm will be stored.

■ "HACCP EXTENDED" VERSION: the most recent alarm will overwrite the oldest. If the duration of the "PF" alarm causes a clock error, the instrument will not provide any information regarding the alarm duration.

### Translation of the original instructions

■ When the cause that triggered the alarm is resolved, the display restores normal operation, except for the power failure alarm, which requires the normal display to be restored manually.

■ The HACCP LED provides information regarding the memory status of the HACCP alarms: if it is on, not all the information regarding the HACCP alarms have been displayed, if it flashes, the instrument has saved at least one new HACCP alarm.

### ■ DISPLAYED INFORMATION REGARDING THE HACCP ALARMS

■ To access the procedure:

- press the DOWN (④) button for 2 seconds: the first label appears on the display.

- press and release the UP (⑤) or DOWN (④) button to select "LS".

- press and release the SET (Ⓢ) button: either of the "AL", "AH" or "id" codes will appear on the display.

■ To select an alarm:

- press and release the UP (⑤) or DOWN (④) button (e.g. to select "AH").

■ To display the information regarding the alarm:

- press and release the SET (Ⓢ) button: the HACCP LED will stop flashing and the following information will appear on the display in sequence ("#" only for "HACCP EXTENDED" version):

INFO	MEANING
8,0	the critical value is 8.0 °C/8 °F
StA #	the date and time when the alarm was triggered are about to appear on the display
y07 #	the alarm was triggered in 2007 (continues)
n03 #	the alarm was triggered in March (continues)
d26 #	the alarm was triggered on 26 March 2007
h16 #	the alarm was triggered at 16 hrs (continues)
n30 #	the alarm was triggered at 16:30 hrs
Dur	the alarm duration is about to appear on the display
h01	the alarm lasted 1 hr (continues)
n15	the alarm lasted 1 hr and 15 min
AH3	the selected alarm

■ To exit from the information sequence:

- press and release the the key ON/STAND-BY(Ⓡ): the selected alarm appears on the display (in the "AH3" example).

■ To exit from the procedure:

- exit from the information sequence

- press and release the key UP (⑤) or the key DOWN (④) until the display shows the compartment temperature or do not operate for 60 s.

■ If the instrument has no alarm saved, the "LS" label will not be displayed.

### ■ DELETING THE LIST OF HACCP ALARMS

- Keep the DOWN (④) button pressed for 2 seconds: the first available label will appear on the display.

- Press the UP (⑤) or DOWN (④) button to select "rLS".

- Press the SET (Ⓢ) button.

- Press the UP (⑤) or DOWN (④) button within 15 seconds to set "149".

- Press the SET (Ⓢ) button or do not operate for 15 seconds: "----" will flash on the display for a few seconds and the HACCP LED will go off, after which the instrument will exit from the procedure.

■ If the instrument has no alarm saved, the "rLS" label will not be displayed.

# Settings and Troubleshooting

## ■ CONFIGURATION

### To enter the procedure:

- make sure no processes are in progress
- press UP (⊕) and DOWN (⊖) for 4 s: "PA" appears on the display
- press SET (⊙)
- press UP (⊕) or DOWN (⊖) within 15 s to set "-19"
- press SET (⊙) or wait for 15 s
- press UP (⊕) and DOWN (⊖) for 4 s: "SP" appears on the display.

### To select a parameter:

- press UP (⊕) or DOWN (⊖)

### To modify a parameter:

- press SET (⊙)
- press UP (⊕) or DOWN (⊖) within 15 s
- press SET (⊙) or wait for 15 s.

### To exit the procedure:

- press UP (⊕) and DOWN (⊖) for 4 s or wait for 60 s.

Turn off the instrument after modifying the parameters.

## ■ ALLARMS AND ERRORS

CODE	TYPE OF ALARM
Solutions	
Consequences	
iA	<b>MULTIFUNCTION INPUT ALARM</b>
Verify what caused the input activation / See the i5 and i6 parameters <i>Effect established by the i5 parameter / Alarm output activated with u1=3</i>	
iSd	<b>PRESSURE SWITCH ALARM</b>
Verify what caused the input activation / See the i5, i6, i7, i8 and i9 parameters / Switch the instrument off and on again or disconnect the power supply <i>The regulators go off / Alarm output activated with u1=3</i>	
COH	<b>OVERHEATING CONDENSER ALARM</b>
Verify the condenser temperature / See C6 parameter <i>Alarm output activated with u1=3</i>	
CSd	<b>COMPRESSOR BLOCKAGE ALARM</b>
Verify the condenser temperature / See the C7 parameter / Switch the instrument off and on again: if the condenser temperature is still > parameter C7 when it is switched on again, disconnect the power supply and clean the condenser <i>The evaporator compressor and fan go off / Alarm output activated with u1=3</i>	
Pr1	<b>CHAMBER SENSOR ERROR</b>
Verify the type of sensor / Verify the integrity of the sensor / Verify the instrument-sensor connection / Verify the chamber temperature <i>Compressor on or off for 10 m / Defrosting will not be activated / Relè alarm activated if u1=3 / Door resistors off if u1=4 / Disabling evap. valve if u1=5</i>	
Pr2	<b>EVAPORATOR SENSOR ERROR</b>
Verify the type of sensor / Verify the integrity of the sensor / Verify the instrument-sensor connection / Verify the evaporator sensor temperature <i>Defrosting activated for 30 min with P3=1 / Defrosting at intervals with P3=1 and d8=2 / The evaporator fan operates in parallel with the compressor with F0=3 or 4 / Alarm output activated with u1=3</i>	
Pr3	<b>CONDENSER SENSOR ERROR</b>
Verify the type of sensor / Verify the integrity of the sensor / Verify the instrument-sensor connection / Verify the condenser sensor temperature <i>Condenser overheating alarm ("COH") will not be activated / Blocked compressor alarm ("CSd") will not be activated / Alarm output activated if u1=3</i>	
rtc	<b>CLOCK ERROR</b>
Set the date and time	

*Defrosting at intervals with d8=3; The HACCP will not provide information regarding the date and time when the alarm was triggered / The Energy Saving function is not available in real time / Alarm output activated if u1=3*

Once the cause that triggered the alarm is resolved, the instrument restores normal operation, except for the following alarms that require:

- "PF" any button to be pressed;
- "iSd"- the instrument to be switched off or the power supply to be disconnected
- "CSd" the instrument to be switched off or the power supply to be disconnected

## ■ FAULT

The following items will help you find possible solutions to some troubles the unit could be subject to. It is understood that the information given here does not cover all possible cases.

■ Whenever a safety device triggers, it means that there is a malfunction; before resetting it, check and remove the cause.

■ After making the above checks, if the fault persist contact your after-sales service. Remember to specify the nature of the defect, the appliance's code and serial number(you will find on its nameplate).

PROBLEM	
	Possible cause
	What to do
<b>1</b>	<b>APPLIANCE DOESN'T START</b>
1.1	Appliance isn't connected to the power supply <i>Check that the plug is fitted into the mains power supply socket correctly.</i>
<b>2</b>	<b>COMPRESSOR RARELY STOPS</b>
2.1	Room temperature is too high <i>Ensure proper ventilation to the room</i>
2.2	Refrigerated cabinet condenser is dirty <i>Check it on a regular basis and clean it thoroughly.</i>
2.3	Low refrigerant charge <i>Call an authorised technical support centre to find and repair any leaks and to recharge the compressor with refrigerant.</i>
2.4	Door gaskets do not ensure proper seal <i>Call an authorised technical support centre to perform the necessary replacement</i>
2.5	Frost build-up on the evaporator <i>Do not place hot or high water content foodstuffs into the appliance and, if needed, perform a manual defrost cycle</i>
2.6	Evaporator motor fan(s) damaged <i>Call an authorised technical support centre to perform the necessary replacement</i>
<b>3</b>	<b>OVERFLOWING OF SELF-EVAPORATING CONDENSATE TRAY</b>
3.1	Hot or high-water content foodstuffs are being introduced into the appliance too often. <i>Do not introduce hot or high water content foodstuffs into the appliance</i>
3.2	Doors and/or drawers are opened too often. <i>Pay attention to the conditions of use of your appliance</i>
<b>4</b>	<b>COMPARTMENT TEMPEATURE TOO HIGH</b>
4.1	Refrigerated cabinet condenser is dirty <i>Check it on a regular basis and clean it thoroughly.</i>
4.2	Feeble aeration of the zone around the technical compartment. <i>Remove any obstructions for a correct airflow</i>
4.3	Hot air entering the compartment. <i>Check the correct closure of the door and the gasket to be proper. If it's not possible to adjust functioning, call a technical support centre to perform replacement and regulations</i>
4.4	Frost build-up on the evaporator <i>Perform a manual defrost cycle</i>



## ■ Cleaning and maintenance

**YOU MUST FOLLOW THE INSTRUCTIONS BELOW ESPECIALLY WHEN USING R290 COOLANT (see reference 13 on page 2 of this manual and the data plate on the device)**



KEEP THE VENTS FREE ON THE BODY OF THE DEVICE OR ON THE MODULAR STRUCTURE.

DO NOT USE MECHANICAL EQUIPMENT OR SIMILAR OTHER THAN THAT RECOMMENDED BY THE MANUFACTURER TO SPEED UP THE DEFROSTING PROCESS.

DO NOT TAMPER WITH THE COOLANT CIRCUIT

DO NOT USE ELECTRICAL EQUIPMENT IN THE COMPARTMENTS TO PRESERVE FOOD FROZEN BY THE DEVICE, UNLESS RECOMMENDED BY THE MANUFACTURER

- This section has been dedicated to the end-user and is extremely important for the appliance to work correctly in the long-term.
- A few simple operations conscientiously carried out at set periods can avoid the need of servicing by specialized personnel.
- The operations to be made do not require any particular technical knowledge

### IMPORTANT



BEFORE BEGINNING ANY TYPE OF MAINTENANCE OR CLEANING WORK ON THE APPLIANCE DISCONNECT THE MAINS POWER SUPPLY.

DO NOT WASH THE APPLIANCE DIRECTLY WITH HIGH PRESSURE WATER JETS.

AVOID SPRAYING WATER DIRECTLY ONTO ELECTRICAL PARTS.

### ■ CLEANING

- How often you will need to clean the appliance depends largely on how often you use it. Analyze the use and schedule the required cleaning operations.
- To clean the appliance's inside and outside, use a neutral or slightly alkaline detergent.  
For gaskets cleaning, all neutral agents on water base, commonly employed for domestic use, are suggested.  
**NEVER REMOVE GASKETS FOR CLEANING !**  
We recommend that you clean the inside with a disinfectant every once in a while. Impurities may be removed using a damp cloth. Removing the shelves makes cleaning the inside easier.
- Never use metallic tools for clearing appliance; it could be damaged.
- For a deeper cleaning of the compartment, remove the shelf guide.

### IMPORTANT

THE APPLIANCES ARE MADE OF STEEL WHICH IS CORROSION PROOF UNDER NORMAL USE.

AVOID USING AGGRESSIVE DETERGENTS OR CLEANERS THAT MAY DAMAGE ITS PROTECTION.

### ■ ROUTINE MAINTENANCE

#### CONDENSING COIL

It is important that the coil can offer the maximum possible heat exchange.

- Use a vacuum cleaner and soft bristled brush to remove all the impurities such as paper or dust that may have deposited on the coil. When brushing the condenser, exercise great care so as to avoid damaging the aluminum grid or the fans.
- If a filter is present, remove and clean it. Afterwards, put it in the original position. If damaged or too dirty, ask for its replacement and change it.

Not to respect these norms can cause serious damages to the refrigerating circuit or to products contained in the equipment.

#### DOOR/DRAWER GASKETS

To ensure a perfect seal, it's important to check the gaskets to be undamaged and perfectly closing.

#### POWER CABLE

- Check that the power cable that connects the appliance to the mains socket is not cut, cracked or altered in such a way as to compromise the insulation. Contact your authorised service centre if this requires maintenance. If the cable is damaged, have this replaced by the manufacturer or it's an authorized technical assistance service, or by someone with similar competence.

A damaged electric cable could be cause of fire, electric shock or accident

### ■ LONG SHUTDOWNS

If the appliance is inactive for long periods of time proceed as follows:

Turn the main switch to the OFF position.

Remove the plug from its socket.

Empty the appliance and clean as in point CLEANING.

Leave the door ajar to avoid bad odours from forming.

Protect the compressor group from dust.

### ■ CHANGING LIGHT BULB [IF PRESENT]

To change the light bulb, perform the following steps:

- Switch off the appliance and disconnect the power cord;
- Open the appliance door; and remove the protective glass shield;
- Unscrew the light bulb located in the instrument panel and replace it with an identical component (voltage of the light bulb is shown on the sticker);
- Refit the glass shield.

### ■ MAX LOADING CAPACITY OF PROVIDED GRIDS



THE GRILLS PROVIDED ARE ABLE TO WITHSTAND A MAX LOAD OF 50 kg EACH.

THE LOAD MUST BE DISTRIBUTED EVENLY ON THE GRILL AND POSITIONED IN SUCH A WAY AS NOT TO OBSTRUCT THE VENTS OF THE DEVICE.

## ■ Funktionsbeschreibung, Erhalt und Beseitigung der Ware

### ■ ZULÄSSIGE VERWENDUNG

- Das Gerät darf ausschließlich zur Konservierung von Lebensmitteln und Getränken verwendet werden.
- Das Konserierungsmodelle (Tiefemperatur) wurden ausschliesslich für die Aufbewahrung von vor-gefronen Produkten konzipiert.
- Das Gerät ist nicht dafür bestimmt, von Personen (einschließlich Kindern) mit eingeschränkten geistigen oder motorischen Fähigkeiten oder mangelnder Erfahrung und Kenntnissen benutzt zu werden, außer sie werden von einer für ihre Sicherheit zuständigen Person beaufsichtigt oder im Gebrauch des Geräts unterwiesen.
- Kinder müssen beaufsichtigt werden, um sicherzustellen, dass sie nicht mit dem Gerät spielen.
- Niemals kohlenensäurehaltige Getränke in das Tiefkühlfach legen. Können explodieren.
- Niemals warme Flüssigkeiten oder Lebensmittel einführen und mit Deckel versehene Behälter nicht bis zum Rand füllen.
- In allen Geräten gibt es Oberflächen, die sich mit Reif überziehen. Dieser Reif, kann je nach Modell, automatisch (automatische Abtauung) oder manuell entfernt werden. Den Reif nie mit einem spitzen Gegenstand entfernen. Das Gerät kann dauerhaft beschädigt werden.
- Für elektrische bzw. mechanische Änderungen übernimmt der Hersteller keinerlei Haftung; dadurch verfällt auch die Garantie

### ■ KONTROLLE BEI ERHALT DER WARE

Bei Erhalt der Ware kontrollieren, ob Transportschäden erlitten hat und ob sie mit allen Teilen gemäss Bestellung ausgestattet ist.

- Bei sichtbaren Beschädigungen muss der Schaden umgehend auf den Transportunterlagen wie folgt vermerkt werden: "RÜCKNAHME MIT VORBEHALT WEGEN OFFENSICHTLICHEN VERPACKUNGSSCHÄDEN".



ALLE FOLGEND AUFGEFÜHRTEN ARBEITSVORGÄNGE MÜSSEN GEMÄSS DEN GELTEN SICHERHEITSNORMEN DURCHFÜHRT WERDEN. DIES GILT SOWOHL FÜR DIE VERWENDETE AUSRÜSTUNG ALS AUCH FÜR DIE BEDIENUNGSHINWEISE.



SICH VOR DER HANDHABUNG VERGEWISSERN, DASS DAS ANHEBUNGSVERMÖGEN DEM GEWICHT DER BETREFFENDEN EINHEIT ANGEMESSEN IST.

### ■ HANDHABUNG

HANDHABUNG MIT GABELSTAPLER ODER ÄHNLICHEM

Die Gabeln in die Längsseite der mitgelieferten Holzpalette des Geräts einführen.

Die Einheit anheben und sich dabei vergewissern, dass sich diese im stabilen Gleichgewicht befindet.

WÄHREND DER HANDHABUNG NICHT UMDREHEN BZW. KIPPEN



WIRD DAS GERÄT IN EINER ANDEREN POSITION ALS WENN IN BETRIEB TRANSPORTIERT, VOR DER INBETRIEBNAHME MINDESTENS 2 STUNDEN WARTEN



AN EINEM TROCKENEN ORT AUFBEWAHREN. AUF KEINEN FALL ANDERE GEGENSTÄNDE AUF DAS GERÄT STELLEN

### ■ BESEITIGUNG DER VERPACKUNG

Den Schutz entfernen ohne Werkzeuge zu brauchen, die die Oberfläche beschädigen können.

Das Gerät anheben und von der Palette lösen.

Das Gerät in Übereinstimmung mit dem vorbestimmten Punkt auf den Boden legen.

Das Gerät auf sichtbare Beschädigungen prüfen.

Das Verpackungsmaterial könnte eine mögliche Gefahrenquelle darstellen und sollte deshalb außer Reichweite von Kindern gehalten werden.

Die Verpackungsprodukte an spezialisierte Sammel- und Recyclingstellen weiterleiten (die geltenden Normen beachten).

- Die Kennnummer mit den Angaben der Begleitpapiere vergleichen.

### ■ BLEIBENDE GEFAHREN

- Die Kühlgeräte wurden mit den entsprechenden Vorkehrungen entworfen und gebaut, um die Sicherheit und die Gesundheit des Benutzers zu gewährleisten und weisen keine gefährlichen Kanten, schneidende Oberflächen oder hervorstehende Elemente auf. Ihre Standfestigkeit wird auch bei geöffneter Tür gewährleistet, es ist jedoch untersagt, sich an die Tür anzuhängen.
- Bei Geräten mit Schubladen, sind diese nicht über 40 kg jede zu beladen (gleichmäßig verteilt), nicht mehr als eine Schublade öffnen und sich nicht auf die offene Schublade lehnen oder setzen, um ein Umkippen und die Beschädigung des Geräts zu vermeiden.
- N.B.: Bei Schränken mit Glastüren nie mehr als 1 Korb oder 1 Rost auf einmal herausziehen, um die Standfestigkeit des Geräts nicht zu beeinträchtigen.
- Im Falle von gerät mit rädern, während der Bewegungen, das Gerät nicht ruckartig schieben, damit es nicht umkippt und sich beschädigt, auch auf die möglichen Unebenheiten
- DIE RÄDER STETS MIT DEN ENTSPRECHENDEN FESTSTELLVORRICHTUNGEN BLOCKIEREN.

### ■ GERÄUSCHPEGEL

- Die akustische Druckstufe der wohlerrwogenen Emission A in Arbeitsplätzen überschreitet NICHT 70 dB(A).

### ■ ENTSORGEN

- Unsere Geräte enthalten laut Europäischer Verordnung (EG) Nr. 2037/2000 vom 29. Juni 2000, das auf dem Typenschild beschriebene Kühlmittel; außerdem ist das Gerät aus wiederverwendbaren oder recycelbaren Teilen und Materialien zusammengesetzt. Deshalb ist es, wenn das Gerät nicht mehr benutzt wird, wichtig es bei Recyclinghöfen abzuliefern. Das Ausbauen der Tür ist die beste Lösung, um zu garantieren, dass niemand im Innern eingesperrt bleiben kann.
- Das Gerät darf nicht mit Siedlungsabfällen und Schrott entsorgt werden.
- Die Beschädigung des Kühlkreislaufs, vor allem in der Nähe des Tauschers, muss vermieden werden.



BEI VERSCHROTTUNG DIESER GERÄTEARTE, DIE LOKAL GÜLTIGEN VORSCHRIFTEN EINHALTEN.



## ■ Inbetriebnahme

### WICHTIG



**BEVOR MAN DAS GERÄT ANSCHLIESST, SOLLTE MAN SICH VERGEWISSERN, DASS DIE DATEN DES LEISTUNGSSCHILDES DENEN DES STROMNETZES ENTSPRECHEN.**

**DAS GERÄTESCHILD, AUF DEM DIE FÜR DIE INSTALLATION ERFORDERLICHEN ELEKTRISCHEN DATEN ANGEGBEN SIND, BEFINDET SICH AUF DER RECHTEN SEITENWAND DES RAUMES.**

Eine unkorrekte elektrische Versorgung könnte zu Brand, Stromschlag oder Unfällen führen.

**DIE INSTALLATION MUSS GEMÄSS DEN ANGABEN DES ENTSPRECHENDEN ABSCHNITTS VON QUALIFIZIERTEM FACHPERSONAL DURCHGEFÜHRT WERDEN.**

**DIE ELEKTRISCHE SICHERHEIT DIESES GERÄTES IST NUR DANN GARANTIERT, WENN DAS GERÄT GEMÄSS DEN GELTENDEN ELEKTRISCHEN SICHERHEITSNORMEN AN EINE LEISTUNGSFÄHIGE ERDUNGSANLAGE ANGESCHLOSSEN IST.**

Eine defekte Erdung kann im Fall von Fehlbetrieb einen Kurzschluss oder Stromschlag verursachen



**DAS GERÄT MUSS AUSSERDEM IN EIN ÄQUIPOTENTIALSYSTEM EINGESCHLOSSEN WERDEN, DESSEN LEISTUNGSFÄHIGKEIT GEMÄSS DEN GELTENDEN NORMEN GEPRÜFT WERDEN MUSS.**

**AUF KEINEN FALL ADAPTER, MEHRFACHSTECKDOSEN UND/ODER VERLÄNGERUNGSKABEL BENUTZEN.**

### ■ EINLEITENDE ALLGEMEINE KONTROLLEN

- Sich vergewissern, dass die Auflagefläche für das Gerätegewicht eignet und eben ist;

Das Gerät nivellieren. Allenfalls den beweglichen Teil der verstellbaren Füße bis zu einer perfekten Ausrichtung einstellen. Eventuell eine Wasserwaage verwenden. Alle Füße müssen auf dem Boden aufliegen. Die empfohlene Höchstabweichung von der horizontalen Ebene beträgt +/- 0,5 Grad.

Des Untergrunds achten. Das mit Rädern versehene Gerät kann nicht ausgerichtet werden, es ist daher auf eine waagerechte und ebene Aufstellfläche zu achten.

Ansonsten wird die Stabilität des Gerätes, welches demzufolge kippen kann, gefährdet. Die korrekte Türfunktion könnte damit beeinträchtigt werden.

- Um mögliche Kondens- oder Eisbildung zu vermeiden, sollte zwischen den Geräten mindestens 5cm Freiraum sein. Bei Modellen mit eingebauter Kühleinheit muss unbedingt mindestens 50 cm Freiraum vorne (Tische) oben (Schränke) sein; das Gerät nicht in der Nähe von Wärmequellen (wie Öfen, Heizkörpern, usw ...) oder direktem Sonnenlicht aufstellen und das Gerät.

Das Nichtbeachten dieser Normen, kann zu ernsten Schäden am Kühlkreislauf sowie an den im Gerät gelagerten Produkten führen.

- Wurde das Gerät versetzt, einige Zeit warten bevor es wieder eingeschaltet wird. Vor allem bei Handhabung in einer anderen Position als wenn in Betrieb, muss man vor dem Einschalten mindestens 2 Std. warten.
- Die Schutzfolie von den Außenflächen abziehen und Innen mit lauwarmem Wasser und neutraler Seife reinigen.
- Die Schlüssel (falls vorhanden) müssen außerhalb der Reichweite von Kindern aufbewahrt werden.

### ■ KONTROLLEN ELEKTRISCHEN TEILS

- Die Werte der Netzspannung und -frequenz müssen denjenigen des Typenschildes des Gerätes entsprechen. (Punkt 6 des Abschnitts "Matrikelangaben").  
Eine unkorrekte Stromversorgung könnte einen Brand, Stromschlag oder einen Unfall verursachen.
- Der Steckdose eine Sicherung zu 16A vorschalten.
- Den Hauptschalter, an den der Stecker des Netzkabels angeschlossen wird, in die Position OFF bringen.

DIESES GERÄT MUSS MIT DEM MITGELIEFERTEN STECKER AN DAS STROMNETZ ANGESCHLOSSEN WERDEN.



SOBALD DAS GERÄT INSTALLIERT WURDE, MUSS DER STECKER LEICHT ZUGÄNGLICH SEIN.

- Sicherstellen, dass die Steckdose mit dem Netzstecker des Gerätes kompatibel ist. Wenden Sie sich an Fachpersonal, falls die Netzsteckdose durch eine eines anderen Typs ausgewechselt werden muss. Dieses Fachpersonal muss sicherstellen, dass der Querschnitt der Leiter der Netzsteckdose der Leistungsaufnahme des Gerätes angemessen ist.
- Nachdem die obengenannten Anweisungen sorgfältig durchgeführt wurden, kann das Gerät in Betrieb gesetzt werden:
- Den Hauptschalter, an dem der Stecker des Versorgungskabels angeschlossen ist, in Position ON bringen.
- Die Taste ON/STANDBY auf der Bedientafel drücken um das Gerät einzuschalten.  
Nach 1 Minute startet der Kompressor und die Innentemperatur wird auf den werkseitig eingestellten Sollwert gebracht.
- Sollte es notwendig sein, die werkseitig eingestellten Parameter zu ändern, sind die im Kapitel "Schalttafel" aufgeführten Anleitungen zu lesen.



DAS GERÄT NICHT BELADEN, SOLANGE DIE TEMPERATUR DEN VOREINGESTELLTEN SOLLWERT NICHT ERREICHT HAT

DIE IM RAUMINNEREN ANGEZEIGTE LADELINIE NIE ÜBERSCHREITEN.

### ■ BETRIEB

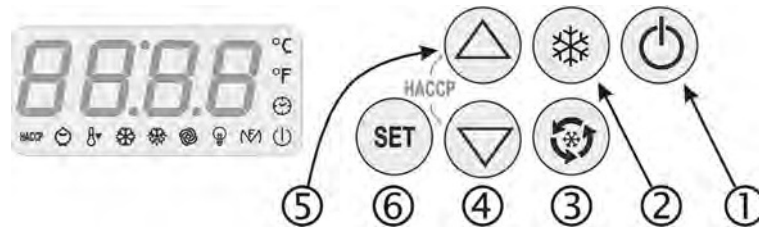
- Eine richtige Konservierung der Lebensmittel ist wichtig für die Hygiene und Sicherheit der Lebensmittel, verbessert die Effizienz der gastronomischen Tätigkeiten und reduziert die unten aufgeführten Anweisungen beachten, um die bestmögliche Leistung des Gerätes zu erzielen.
- Die Produkte müssen stets auf den Ablagen gelagert werden; keine Produkte auf den Kühlraumboden legen.



DAS GERÄT SO BELADEN, DASS EIN FREIER LUFTSTROM GEWÄHRLEISTET IST.

ZWISCHEN DEN LEBENSMITTELN AUSREICHEND PLATZ LASSEN UND SIE NICHT IN BERÜHRUNG MIT DEN SEITENWÄNDEN BRINGEN. BEI BEDARF DEN ABSTAND DER ABLAGEN ÄNDERN.

# ■ Schalttafel



## ■ TASTEN U. ZUGEHÖRIGE FUNKTIONEN

- Werden gleichzeitig die Tasten ③ und ① einige Sekunden lang gedrückt, wird die Tastensperre eingeschaltet: Auf dem Display erscheint "Loc".
- Werden sie erneut gedrückt, wird die Tastensperre aufgehoben: Auf dem Display erscheint "UnL".

### ① ON/STAND BY

Wird diese Taste einige Sekunden lang gedrückt, wird das Gerät ein-/ausgeschaltet.

### ② MANUELLES ABTAUEN

Wird diese Taste einige Sekunden lang gedrückt, wird ein manuelles Abtauen aktiviert, wenn die Temperatur des Verdampfers dies zulässt, und vorausgesetzt dass die Overcooling-Funktion nicht aktiv ist. Wenn das Abtauen gemäß des eingestellten Intervalls fällig wird, während ein Overcooling läuft, wird das Abtauen nach Abschluss der Funktion aktiviert.

### ③ INNENBELEUCHTUNG / DAUERKÜHLUNG [wenn vorhanden]

Wird die AUX-Taste gedrückt, wird die Innenbeleuchtung manuell ein-/ausgeschaltet. [nur bei Modellen mit Glastüren].

[wenn vorhanden]: Drückt man die Taste mindestens 4 s lang, wird das Gerät auf die intensive Anwendung während der Produktionsphase und der Phase des Befüllens des Kühlschranks vorbereitet. Die zuletzt eingestellte Zeit erscheint auf Display und kann mit den Tasten ④ und ⑤ (mit Einstellung alle 30 Min.) verändert werden. Durch erneutes langanhaltendes Drücken der Taste ③ wird der Zyklus gestartet; es wird ein Abtauzyklus eingeleitet (wenn nötig) und anschließend wird der Verdichter in Dauerbetrieb für die eingestellte Zeit eingeschaltet, ohne weitere Abtauzyklen durchzuführen. Auf Display werden abwechselnd die verbleibende Zeit und die Temperatur im Kühlraum angezeigt. Während dieser Phase kann durch erneutes Drücken der Taste ③ die eingestellte Zeit geändert oder der Zyklus beendet werden, indem der Wert auf "00:00" gesetzt und anschließend die Taste ③ lange gedrückt gehalten wird.

### ④ Taste DOWN

Zum Blättern durch die Menüeinträge und zum Verringern der Werte.

### ⑤ Taste UP

Zum Blättern durch die Menüeinträge und zum Erhöhen der Werte. Wird sie einige Sekunden lang gedrückt, wird die Funktion für niedrige relative Luftfeuchtigkeit (auf dem Display erscheint "rhL") bzw. für hohe relative Luftfeuchtigkeit (auf dem Display erscheint "rhH") für 10 Sek. aktiviert. Wenn die Funktion nicht zur Verfügung steht, erscheint beim Drücken der Taste auf dem Display "----".

### ⑥ SOLLWERT

Zum Aufruf der Funktion zur Bearbeitung des Sollwerts.

## ■ STUMMSCHALTEN DES SUMMERS

Eine beliebige Taste kurz drücken

## ■ EINSTELLUNG DES SOLLWERTS

- Taste SET (⑥) drücken: Die Verdichter-LED blinkt.

- Taste UP (⑤) oder DOWN (④) innerhalb 15 s drücken.
- Taste SET (⑥) drücken oder nichts tun, die Verdichter-LED erlischt, danach beendet das Gerät die Prozedur.



NIEMALS WARTUNGSARBEITEN DURCHFÜHREN BEI GERÄT AUF "ON" ODER "STAND BY" VON DER STROMVERSORGUNG TRENNEN.

## ■ ANZEIGEN

LED	BEDEUTUNG
	<b>LEUCHTET:</b> Der Verdichter ist eingeschaltet <b>BLINKT:</b> Änderung des Arbeitssollwerts läuft Verdichterschutzfunktion aktiv
	<b>LEUCHTET:</b> Abtauvorgang läuft <b>BLINKT:</b> Abtauen erforderlich, es ist jedoch gerade die Verdichterschutzfunktion aktiv Abtropfperiode läuft ; Erhitzung des Kühlmittels läuft
	<b>LEUCHTET:</b> Das Gebläse des Verdampfers ist eingeschaltet <b>BLINKT:</b> Stillstand des Verdampfergebläses
	<b>LEUCHTET:</b> Innenbeleuchtung manuell eingeschaltet <b>BLINKT:</b> Innenbeleuchtung automatisch eingeschaltet
	<b>LEUCHTET:</b> Die Heizelemente gegen das Beschlagen der Scheiben werden eingeschaltet Nebenausgang manuell eingeschaltet Alarmausgang aktiviert Die Türheizelemente werden eingeschaltet <b>BLINKT:</b> Nebenausgang ferngesteuert eingeschaltet
	<b>LEUCHTET:</b> Overcooling-Funktion läuft
	<b>LEUCHTET:</b> Alarm oder Fehler aktiv
	<b>LEUCHTET:</b> Nicht alle Informationen zu den HACCP-Alarmen wurden angezeigt <b>BLINKT:</b> Mindestens ein neuer Alarm wurde gespeichert <b>AUS:</b> Alle Informationen zu den Alarmen wurden angezeigt Die Liste der HACCP-Alarme wurde gelöscht
	<b>LEUCHTET:</b> Energiespar-Funktion läuft
	<b>LEUCHTET:</b> Wartung des Verdichters erforderlich
	<b>LEUCHTET:</b> Temperatureinheit Grad Celsius
	<b>LEUCHTET:</b> Temperatureinheit Grad Fahrenheit
	<b>LEUCHTET:</b> Gerät ist im Stand-by

## ■ HINWEISE

CODE	BEDEUTUNG
rhL	Funktion niedrige Luftfeuchtigkeit gewählt
rhH	Funktion hohe Luftfeuchtigkeit gewählt
Loc	Die Tastensperre ist eingeschaltet; Der Arbeitssollwert ist gesperrt
----	Gewünschte Funktion nicht verfügbar

**■ ANZEIGEN**

**ZELLETEMPERATUR**

Sichtbar bei eingeschaltetem Gerät, während des normalen Betriebs.

**VERDAMPFER-TEMPERATUR (wenn Verdampferfühler vorhanden)**

Taste DOWN (④) einige Sekunden lang drücken, dann mit Taste the UP (⑤) oder DOWN (④) "Pb2" wählen.

Wird die Taste SET (Ⓢ) gedrückt, erscheint auf dem Display die Temperatur des Verdampfers. Erneut SET (Ⓢ) drücken oder nichts tun, um zur Anzeige der Zellentemperatur zurückzukehren.

**VERFLÜSSIGER-TEMPERATUR (wenn Verflüssigerfühler vorhanden)**

Taste DOWN (④) einige Sekunden lang drücken, dann mit Taste UP (⑤) oder DOWN (④) "Pb3" wählen.

Wird die Taste SET (Ⓢ) gedrückt, erscheint auf dem Display die Temperatur des Verflüssigers. Erneut SET (Ⓢ) drücken oder nichts tun, um zur Anzeige der Zellentemperatur zurückzukehren.

**VERDICHTER-BETRIEBSSTUNDENZÄHLER (nur „HACCP EXTENDED“ version)**

Taste DOWN (④) einige Sekunden lang drücken, dann mit Taste UP (⑤) oder DOWN (④) um "CH" zu wählen.

Wird die Taste SET (Ⓢ) gedrückt, erscheinen auf dem Display die Betriebsstunden des Verdichters. Erneut SET (Ⓢ) drücken oder nichts tun, um zur Anzeige der Zellentemperatur zurückzukehren.

**■ EINSTELLEN VON DATUM UND UHRZEIT (HACCP EXTENDED VERSION)**

■ Taste DOWN (④) einige Sekunden lang drücken, dann mit Taste UP (⑤) oder DOWN (④) um "rtc" zu wählen.

■ Wird die Taste SET (Ⓢ) gedrückt, erscheinen auf dem Display nacheinander: "yy", "nn", "dd", "hh" und "nn" gefolgt von jeweils 2 Ziffern für das Jahr, den Monat, den Tag, die Stunde bzw. die Minuten. Diese Werte können mit den Tasten UP (⑤) und DOWN (④) eingestellt werden.

■ Zum Verlassen der Prozedur ON/STAND-BY(Ⓢ) drücken.

**■ HACCP-GRUNDFUNKTIONEN**

■ Die Steuerung kann bis zu 3 HACCP Alarme (Version "HACCP BASIC") oder 9 Alarme (Version "HACCP EXTENDED") speichern

■ Das Gerät liefert die folgenden Informationen:

- den kritischen Wert
- Datum und Uhrzeit, des Alarms (bei Version "HACCP EXTENDED")
- Dauer des Alarms (von 1 min bis 99 h 59 min, partiell, wenn der Alarm noch aktiv ist)

CODE	ART DES ALARMS	KRITISCHER WERT
AL	Minimal-temperaturalarm	die minimale Temperatur der Zelle während eines Alarms dieser Art
AH	Maximal-temperaturalarm	die maximale Temperatur der Zelle während eines Alarms dieser Art
Id	Alarm Türschaltereingang	die maximale Temperatur der Zelle während eines Alarms dieser Art
PF	Alarm: Unterbrechung der Stromversorgung	die Temperatur der Zelle bei Wiederherstellung der Stromversorgung (Par. AA)

■ VERSION "HACCP BASIC": Die Steuerung vertagt die Informationen falls der neue Alarm schlimmer als der gespeicherte ist oder unter Bedingung, dass die neuen Informationen schon gezeigt wurden. Ist die Steuerung ausgeschaltet, wird kein Alarm gespeichert.

■ VERSION "HACCP EXTENDED": Dauert der Alarm "PF", so lange, dass ein Uhrzeitfehler eintritt, liefert das Gerät keine Information zur Dauer des Alarms.

■ Verschwindet die Ursache des Alarms, nimmt das Display den normalen Betrieb wieder auf, Ausnahme beim Unterbrechungsalarm, bei dem die Wiederherstellung der normalen Anzeige auf manuelle Weise erfolgen muss.

■ Die HACCP-LED liefert Informationen zum Zustand des HACCP-Alarmspeichers: Wenn sie leuchtet, werden die Informationen zu den HACCP-Alarmen noch nicht alle angezeigt worden sein, wenn sie blinkt, wird das Gerät mindestens einen neuen HACCP-Alarm gespeichert haben.

**■ ANZEIGE DER HACCP-ALARME**

■ Zum Aufrufen der Prozedur:

- Taste DOWN (④) 2 s lang drücken: Auf dem Display wird das erste Label angezeigt.

- Taste UP (⑤) oder DOWN (④) drücken und loslassen, um "LS" zu wählen.

- Taste SET (Ⓢ) drücken und loslassen: Auf dem Display wird einer der Codes "AL", "AH", "id" angezeigt.

■ Zum Wählen eines Alarms:

- Taste UP (⑤) oder DOWN (④) drücken und loslassen (um z. B. um "AH" zu wählen).

■ Zum Anzeigen der Informationen zu diesem Alarm:

- Taste SET (Ⓢ) drücken und loslassen: Die HACCP-LED hört auf zu blinken und auf dem Display werden nacheinander folgend Informationen angezeigt ("#: nur Version "HACCP EXTENDED"):

INFO	BEDEUTUNG
8,0	der kritische Wert beträgt 8,0 °C/8 °F
StA #	auf dem Display werden Datum und Uhrzeit angezeigt, zu der der Alarm aufgetreten ist
y07 #	der Alarm hat sich im Jahr 2007 ereignet (wird fortgesetzt)
n03 #	der Alarm hat sich im Monat März ereignet (wird fortgesetzt)
d26 #	der Alarm ist am 26 März 2007 aufgetreten
h16 #	der Alarm hat sich um 16 Uhr ereignet (wird fortgesetzt)
n30 #	der Alarm hat sich um 16 Uhr 30 ereignet
Dur	auf dem Display wird die Dauer des Alarms angezeigt
h01	der Alarm hat 1 h gedauert (wird fortgesetzt)
n15	der Alarm hat 1 h und 15 min gedauert
AH3	der gewählte Alarm

■ Um die Anzeige der Informationen zu verlassen:

- Taste ON/STAND-BY(Ⓢ) drücken und loslassen: Auf dem Display wird der gewählte Alarm angezeigt (im Beispiel "AH3").

■ Zum Verlassen der Prozedur:

- die Anzeige der Informationen verlassen

- Taste UP (⑤) oder DOWN (④) drücken und loslassen bis auf dem Display die Temperatur der Zelle angezeigt wird oder 60 s lang nichts tun.

■ Wenn das Gerät keinen Alarm im Speicher hat, wird das Label "LS" nicht angezeigt.

**■ LÖSCHEN DER HACCP-ALARMLISTE**

- Taste DOWN (④) 2 s lang gedrückt halten: Auf dem Display wird das erste verfügbare Label angezeigt.

- Taste UP (⑤) oder DOWN (④) oder drücken, um "rLS" zu wählen.

- Taste SET (Ⓢ) drücken.

- Innerhalb 15 s Taste UP (⑤) oder DOWN (④) drücken, um "149" einzustellen.

- Taste SET (Ⓢ) drücken oder 15 s lang nichts tun: Auf dem Display wird einige Sekunden lang "----" blinkend angezeigt und die HACCP-LED erlischt, danach beendet das Gerät die Prozedur.

■ Wenn das Gerät keinen Alarm im Speicher hat, wird das Label "rLS" nicht angezeigt.

## ■ Parameter und Fehlersuche

### ■ EINSTELLUNG DER PARAMETER

#### Einstieg in den Vorgang:

- Sicherstellen, dass kein Vorgang läuft
- 4 Sek. lang UP (Ⓢ) und DOWN (Ⓓ) drücken: Das Display zeigt "PA" an.
- SET (Ⓢ) drücken.
- UP (Ⓢ) oder DOWN (Ⓓ) innerhalb von 15 Sek. drücken, um "19" einzustellen.
- SET (Ⓢ) drücken oder 15 Sek. lang nicht bedienen.
- 4 Sek. lang UP (Ⓢ) und DOWN (Ⓓ) drücken: Das Display zeigt "SP" an.

#### Anwahl eines Parameters:

- UP (Ⓢ) oder DOWN (Ⓓ) drücken.

#### Änderung eines Parameters:

- SET (Ⓢ) drücken.
- UP (Ⓢ) oder DOWN (Ⓓ) innerhalb von 15 Sek. drücken.
- SET (Ⓢ) drücken oder 15 Sek. lang nicht bedienen.

#### Ausstieg aus dem Vorgang:

- 4 Sek. lang UP (Ⓢ) und DOWN (Ⓓ) drücken oder 60 Sek. lang nicht bedienen.

Nach Änderung der PARAMETER die Versorgung des Geräts unterbrechen.

### ■ ALARME UND FEHLER

CODE	ART DES ALARMS
<b>Abhilfe</b>	
<i>Folgen</i>	
<b>iA</b>	<b>ALARM AN MULTIFUNKTIONSEINGANG</b>
Ursachen der Aktivierung des Eingangs ermitteln / Siehe Parameter i5 und i6 <i>Wirkung durch Parameter i5 festgelegt / Alarm-Ausgang aktiviert mit u1=3</i>	
<b>iSd</b>	<b>DRUCKWÄCHTER-ALARM</b>
Ursachen der Aktivierung des Eingangs ermitteln / Siehe Parameter i5, i6, i7, i8 und i9 / Gerät aus- und wieder einschalten oder Stromversorgung unterbrechen <i>Die Regler werden ausgeschaltet / Alarm-Ausgang aktiviert mit u1=3</i>	
<b>COH</b>	<b>ALARM: VERFLÜSSIGER ÜBERHITZT</b>
Temperatur des Verflüssigers prüfen / Siehe Parameter C6 <i>Alarm-Ausgang aktiviert mit u1=3</i>	
<b>CSd</b>	<b>ALARM: VERDICHTER BLOCKIERT</b>
Temperatur des Verflüssigers prüfen / Siehe Parameter C7 / Gerät aus- und wieder einschalten: Wenn die Temperatur des Verflüssigers beim Wiedereinschalten noch immer > als Par. C7 ist, muss die Stromversorgung abgeschaltet und der Verflüssiger gereinigt werden <i>Verdichter und Gebläse des Verdampfers werden abgeschaltet</i>	
<b>Pr1</b>	<b>FEHLER ZELLENFÜHLER</b>
Fühlertyp kontrollieren / Fühler auf Beschädigungen prüfen / Verbindung Gerät - Fühler prüfen / Temperatur der Zelle prüfen / Die Türheizelemente werden mit u1=4 ausgeschaltet / Deaktivierung des Ventils des Verdampfers mit u1=5 <i>Verdichter 10 min ein- oder ausgeschaltet / Abtaufunktion wird niemals aktiviert / Alarm-Ausgang aktiviert mit u1=3</i>	
<b>Pr2</b>	<b>FEHLER VERDAMPFERFÜHLER</b>
Fühlertyp kontrollieren / Fühler auf Beschädigungen prüfen / Verbindung Gerät - Fühler prüfen / Temperatur des Verdampferfühlers kontrollieren <i>Abtaufunktion mit P3=1 für 30 min aktiv / Intervall-Abtauen mit P3=1 und d8=2 / Das Gebläse des Verdampfers läuft parallel zum Verdichter mit F0=3 oder 4 / Alarm-Ausgang aktiviert mit u1=3</i>	
<b>Pr3</b>	<b>FEHLER VERFLÜSSIGERFÜHLER</b>
Fühlertyp kontrollieren / Fühler auf Beschädigungen prüfen / Verbindung Gerät - Fühler prüfen / Temperatur des Verflüssigerfühlers kontrollieren <i>Alarm für Verflüssigerüberhitzung ("COH") wird niemals aktiviert / Alarm für Verdichterblockierung ("CSd") wird niemals aktiviert /</i>	
<b>rtc</b>	<b>UHR-FEHLER</b>
Datum und Uhrzeit erneut einstellen <i>Intervall-Abtauen mit d8=3 / HACCP liefert keine Informationen zu Datum</i>	

und Uhrzeit, zu der der Alarm aufgetreten ist / Die Energiesparfunktion ist nicht in Echtzeit verfügbar / Alarm-Ausgang aktiviert mit u1=3

Nachdem die Ursache, die den Alarm ausgelöst hatte, beseitigt wurde, nimmt das Gerät den normalen Betrieb wieder auf, außer bei den folgenden Alarmen, die folgendes erfordern:

- "PF" - eine beliebige Taste drücken;
- "iSd" - Gerät ausschalten oder Stromversorgung unterbrechen
- "CSd" - Gerät ausschalten oder Stromversorgung unterbrechen

### ■ STÖRUNGEN

Bei fehlerhaftem Betrieb des Geräts die nachfolgend aufgeführte Liste kontrollieren, um festzustellen, ob es ohne Hilfe des Kundendienstes wieder in Betrieb gesetzt werden kann; hier sind selbstverständlich nicht alle Fälle aufgeführt.

■ **Das Einschalten einer Sicherheitsvorrichtung zeigt eine Betriebsstörung an; vor Wiederinbetriebnahme muß die Ursache festgestellt und beseitigt werden.**

■ Besteht die Störung weiterhin, sich bitte an den technischen Dienst wenden, Art der Störung beschreiben und Artikel- und Seriennummer des Gerätes vom Geräteschild angeben.

PROBLEM	
	Mögliche Ursache
	<i>Eingriff</i>
<b>1</b>	<b>DAS GERÄT STARTET NICHT</b>
1.1	Das Gerät ist nicht korrekt an der Versorgung angeschlossen <i>Kontrollieren, dass der Stecker richtig in der Dose steckt</i>
<b>2</b>	<b>DER KOMPRESSOR STOPPT SELTEN</b>
2.1	Die Raumtemperatur ist zu hoch <i>Den Raum ausreichend lüften</i>
2.2	Der Kühlschrankkondensator ist schmutzig <i>Ihn regelmäßig überprüfen und reinigen.</i>
2.3	Kühlmittelmenge zu gering <i>Für die Ermittlung und Reparatur von Lecks und um die Nachfüllung des Kühlgases auszuführen, wenden Sie sich bitte an eine dafür zuständige technische Kundendienststelle</i>
2.4	Tür- und Schubladedichtungen unwirksam <i>Für den Ersatz wenden Sie sich bitte an eine dafür zuständige technische Kundendienststelle</i>
2.5	Verdampfer ist vereist <i>Keine heißen Lebensmittel mit hohem Flüssigkeitsgehalt einführen; falls erforderlich, einen manuellen Abtauvorgang ausführen</i>
2.6	Der Ventilator funktioniert nicht korrekt <i>Sich für einen eventuellen Austausch an die zuständige Kundendienststelle wenden</i>
<b>3</b>	<b>ÜBERLAUFEN DER SELBSTVERDAMPFENDEN KONDENSSCHALE</b>
3.1	Häufiges Einführen von warmen Lebensmittel mit hohem Wassergehalt. <i>Keine warme Lebensmittel mit hohem Wassergehalt einführen</i>
3.2	Häufiges öffnen der Türen bzw. Schubladen <i>Die Geräteanwendungsbedingungen beachten</i>
<b>4</b>	<b>RAUMTEMPERATUR IST UNGENÜGEND</b>
4.1	Verschmutzte Kondensationbatterie <i>Sie regelmäßig überprüfen und reinigen.</i>
4.2	Mangelhafte Belüftung der Zone, die an den Technischen Bereich Angrenzt <i>Eventuelle Verstopfungen beseitigen.</i>
4.3	Eintritt heisser Luft in den Raum <i>Sich vergewissern, dass die Türe sich richtig schliesst und die Dichtung funktioniert. Falls der Betrieb nicht wieder hergestellt werden kann, sich für eine Lösung oder Regulierung an die zuständige Kundendienststelle wenden</i>
4.4	Verdampfer ist vereist <i>Einen manuellen Abtauvorgang ausführen</i>

## ■ Reinigung, Wartung und Störung

**DIE FOLGENDEN HINWEISE SIND BESONDERS WICHTIG, WENN ES SICH BEI DER VERWENDETEN KÜHLFLÜSSIGKEIT UM DEN TYP R290 HANDELT**

(siehe Verweis 13 auf der Seite 2 dieses Handbuchs sowie Typenschilder der Geräts)



DIE LÜFTUNGSÖFFNUNGEN IM GEHÄUSE DES GERÄTS ODER IN DER EINBAUKONSTRUKTION DÜRFEN NICHT VERSTOPFT SEIN.

KEINE MECHANISCHEN VORRICHTUNGEN ODER ANDERE MITTEL ZUR BESCHLEUNIGUNG DES ABTAUPROZESSES VERWENDEN, DIE NICHT VOM HERSTELLER EMPFOHLEN WURDEN.

DEN KÄLTEKREISLAUF NICHT BESCHÄDIGEN.

IN DEN FÄCHERN FÜR DIE AUFBEWAHRUNG DER TIEFGEKÜHLTEN SPEISEN DES GERÄTS KEINE ELEKTRISCHEN GERÄTE VERWENDEN, WENN DER ENTSPRECHENDE TYP NICHT VOM HERSTELLER EMPFOHLEN WURDE.

- Dieser Abschnitt betrifft den Endverbraucher und ist für den dauerhaften und vorschriftsmäßigen Betrieb des Gerätes von äußerster Wichtigkeit.
- Die sorgfältige und regelmäßige Durchführung einiger Arbeitsvorgänge beugt den Eingriff von Fachpersonal vor.
- Die durchzuführenden Maßnahmen setzen keine besonderen technische Kenntnisse voraus.

### WICHTIG



BEVOR MAN DIE WARTUNG BZW. REINIGUNG VORNIMMT, DIE STROMVERSORGUNG DES GERÄTES AUSSCHALTEN.

DAS GERÄT NICHT MIT DIREKTEN HOCHDRUCKWASSERSTRAHLEN REINIGEN. AUF KEINEN FALL WASSERSTRAHLEN GEGEN ELEKTRISCHE TEILE RICHTEN.

### ■ REINIGUNG

- Die Notwendigkeit einer Reinigung des Gerätes hängt vor allem von der Häufigkeit des Gebrauchs ab. Den Gebrauch beobachten und die notwendigen Reinigungsarbeiten programmieren.
- Zur Innen- und Aussenreinigung ein neutrales oder leicht alkalisches Reinigungsmittel verwenden. Zur Reinigung der Dichtungen ein neutrales auf Wasser basiertes Mittel benutzen; wie herkömmliche Haushaltsreinigungsmittel. **DIE DICHTUNGEN ZUR REINIGUNG NICHT ENTERNEN!**  
Man empfiehlt, den Innenraum gelegentlich mit einem Desinfektionsmittel zu reinigen. Eventuelle Unreinheiten können mit einem feuchten Tuch beseitigt werden. Die Entfernung der Roste erleichtert die Reinigung des Innenraums.
- Zur Reinigung des Gerätes niemals Metallgegenstände benutzen; es könnte beschädigt werden.
- Für eine tiefere inwändige Reinigung ist es notwendig die Schienen der Rosthalterungen zu entfernen.

### WICHTIG

DIE GERÄTE WERDEN AUS CNS HERGESTELLT, DER WIDERSTANDSFÄHIG GEGEN KORROSION, DIE DURCH DEN NORMALEN GEBRAUCH ENTSTEHEN KANN, IST.

AGRESSIVE REINIGUNGSMITTEL BZW. -SYSTEME, DIE DAS GERÄT BESCHÄDIGEN KÖNNEN, MEIDEN.

### ■ ALLGEMEINE WARTUNG

#### KONDENSATIONS-BATTERIE

Die Batterie muß unbedingt in der Lage sein, maximalen Wärmeaustausch zu bieten.

- Mit Hilfe eines Staubsaugers, Pinsels bzw. einer metallfreien Bürste alle Verschmutzungen (z.B. Papier, Staub), die sich auf der Batterieoberfläche abgelagert haben könnten, entfernen ohne die Aluminiumrippen oder Lüfter zu beschädigen. Falls ein Filter vorhanden ist, diesen entfernen, reinigen und danach wieder in die ursprüngliche Lage einsetzen. Falls der Filter beschädigt oder zu schmutzig ist, einen zum austauschen bestellen.  
Das Nichtbeachten dieser Normen kann zu ernstesten Schäden am Kühlkreislauf und an den im Gerät gelagerten Produkten führen.

#### TÜRDICHTUNGEN

Sich vergewissern, dass die Türdichtungen einwandfrei sind: es ist sehr wichtig eine perfekte Schliessung zu garantieren.

#### VERSORGUNGSKABEL

- Kontrollieren, dass das Versorgungskabel, welches das Gerät an den Stecker verbindet, keinerlei Beschädigungen aufweist, die die Isolierung beeinträchtigen könnten. Ist es beschädigt, vom Hersteller, einem zugelassenen Kundendienst oder von dazu qualifiziertem Personal austauschen lassen.  
Ein beschädigtes elektrisches Kabel kann zu Brand, Stromschlag oder Unfällen führen.

### ■ LÄNGERE STILLSTANDSZEITEN

Bei längeren Stillstandszeiten wie folgt vorgehen:

Das Gerät ausschalten und von der Stromversorgung abschalten.

Das Gerät entleeren und wie bei Kapitel „Reinigung“ vorgehen.

Die Türen nicht vollständig schließen, um das Entstehen von üblen Gerüchen zu vermeiden.

Die Kompressorgruppe vor Staub schützen.

### ■ AUSTAUSCH DER GLÜHBIRNE [WENN VORHANDEN]

Für den Austausch der Glühbirne sind folgende Anweisungen zu befolgen (ein Kleber weist auf den Glühbimentyp hin):

- Das Gerät abschalten und das Netzkabel herausziehen;
- Tür öffnen und die Schutzblende der Glühbirne entfernen;
- Die darin befestigte Glühbirne abschrauben und durch eine mit gleichen Eigenschaften ersetzen;
- Die Schutzblende wieder befestigen.

### ■ MAXIMALE BELASTUNG DER MITGELIEFERTEN ROSTE

DIE MITGELIEFERTEN ROSTE EIGNEN SICH FÜR EINE MAXIMALE LAST VON 50 KG PRO ROST.



DIE LAST MUSS GLEICHMÄSSIG AUF DEM ROST VERTEILT UND SO ANGEORDNET SEIN, DASS DIE LÜFTUNG DES GERÄTS NICHT BEHINDERT WIRD.

## ■ Descrizione funzionale, ricevimento e dismissalione

### ■ USO CONSENTITO

- Gli apparecchi sono progettati per l'installazione all'interno e devono essere impiegata esclusivamente per la conservazione di cibi e bevande.
- I modelli conservatori (bassa temperatura) sono stati progettati esclusivamente per la conservazione di prodotti pre-congelati.
- L'apparecchio non è destinato all'uso da parte di persone (inclusi i bambini) con ridotte capacità psichiche o motorie, o con mancanza di esperienza e conoscenza, salvo che ci sia una supervisione o istruzione sull'uso dell'apparecchio da parte di una persona responsabile per la loro sicurezza.
- I bambini devono essere sorvegliati per assicurarsi che non giochino con l'apparecchio.
- Non introdurre mai liquidi o alimenti caldi e non riempire fino all'orlo i recipienti muniti di coperchio.
- Non mettere mai nello scompartimento a bassa temperatura bibite gassate.  
Possono esplodere.
- In tutte le apparecchiature ci sono delle superfici che si coprono di brina. Secondo il modello, tale brina può essere eliminata automaticamente (sbrinamento automatico) oppure manualmente. Non tentate mai di togliere la brina con un oggetto appuntito.  
Si rischierebbe di danneggiare irrimediabilmente l'apparecchiatura.
- Viene declinata ogni responsabilità del Produttore con decadimento della garanzia in caso di modifiche elettriche e/o meccaniche.

### ■ CONTROLLO AL RICEVIMENTO

Controllare all'arrivo che l'apparecchio non abbia subito danneggiamenti durante il trasporto e che lo stesso sia completo nelle sue parti come da ordine.

- Nel caso di danni visibili annotare immediatamente sul documento di trasporto il danno riscontrato riportando la dicitura: "RITIRO CON RISERVA PER EVIDENTI DANNI A IMBALLO.



TUTTE LE OPERAZIONI DI SEGUITO CITATE DEBONO ESSERE ESEGUITE IN CONFORMITÀ ALLE NORME DI SICUREZZA VIGENTI, SIA PER QUANTO RELATIVO ALL'ATTREZZATURA USATA SIA PER QUANTO RELATIVO ALLE MODALITÀ OPERATIVE.



PRIMA DI DAR CORSO A OPERAZIONI DI MOVIMENTAZIONE ASSICURARSI CHE LA CAPACITÀ DI SOLLEVAMENTO SIA ADEGUATA AL PESO DELL'APPARECCHIO IN QUESTIONE.

### ■ MOVIMENTAZIONE

MOVIMENTAZIONE con CARRELLO ELEVATORE o SIMILARE  
Inserire le forche sul lato anteriore o posteriore della pedana di legno a corredo dell'apparecchio.  
Dar corso al sollevamento assicurandosi che l'apparecchio sia in equilibrio stabile.



NEL CORSO DELLA MOVIMENTAZIONE NON CAPOVOLGERE O ROVESCIARE.



SE SI RENDE INDISPENSABILE IL TRASPORTO IN POSIZIONE DIVERSA DA QUELLA DI LAVORO; ATTENDERE ALMENO 2 ORE PRIMA DI METTERLO IN FUNZIONE.

TENERE ALL'ASCIUTTO E EVITARE NEL MODO PIÙ ASSOLUTO DI SOVRAPPORRE ALL'APPARECCHIO ALTRI OGGETTI.

### ■ RIMOZIONE IMBALLO

Togliere le protezioni senza utilizzare utensili che possano danneggiare la superficie dell'apparecchiatura.

Sollevarlo in modo da separarlo dalla pedana ed appoggiarlo a terra in corrispondenza del punto predestinato.

Tenere fuori dalla portata di mano dei bambini il materiale d'imballo in quanto potenziale fonte di pericolo.

Smaltire i prodotti d'imballo facendoli confluire ai centri di raccolta o di riciclaggio specializzati (attenersi alle norme vigenti).

- Verificare la rispondenza del numero di matricola con quanto riportato nel documento di accompagnamento.

### ■ RISCHI RESIDUI

- Le apparecchiature sono realizzate e progettate al fine di garantire la sicurezza e la salute dell'utilizzatore e non presentano spigoli pericolosi, superfici affilate o elementi sporgenti dagli ingombri. La loro stabilità è garantita anche a porte aperte, è vietato comunque attaccarsi alle porte.
- Nelle apparecchiature con cassette non aprire più di un cassetto alla volta e non appoggiarsi o sedersi sul cassetto aperto per evitare il ribaltamento o il danneggiamento dell'apparecchiatura.
- N.B.: Nelle apparecchiature con porte vetrate non estrarre più di un cestello, oppure una griglia alla volta, per non compromettere la stabilità dell'apparecchiatura.
- Nel caso di apparecchiature con ruote, fare attenzione, durante gli spostamenti a non spingere violentemente l'apparecchiatura per evitare che si ribalti; fare attenzione anche alle eventuali asperità della superficie di scorrimento.
- BLOCCARE SEMPRE LE RUOTE CON GLI APPOSITI FERMI.

### ■ LIVELLO DI RUMOROSITÀ

- Il livello di pressione acustica dell'emissione ponderata A nei posti di lavoro NON supera 70 dB(A).

### ■ DISMISSIONE

- Le nostre apparecchiature contengono il fluido refrigerante, in base al Regolamento Europeo C.E. n. 2037/2000 del 29 giugno 2000, descritto nella targhetta matricolare; inoltre l'apparecchiatura è composta da parti e materiali riutilizzabili o riciclabili.

Terminato l'utilizzo dell'apparecchiatura, è importante che sia consegnata a centri di smaltimento ecologico. Togliere la porta è il miglior modo per assicurare che nessuno possa rimanere rinchiuso all'interno.

- L'apparecchiatura NON deve essere smaltita con rifiuti urbani e rottami.
- Deve essere evitato il danneggiamento del circuito frigorifero.



RISPETTARE LE NORMATIVE LOCALI VIGENTI PER LA ROTTAMAZIONE DI QUESTO GENERE DI APPARECCHI.





## ■ Messa in funzione

### IMPORTANTE



**PRIMA DI COLLEGARE L'APPARECCHIO ACCERTARSI CHE I DATI DI TARGA SIANO RISPONDENTI A QUELLI DELLA RETE ELETTRICA. LA TARGHETTA MATRICOLARE RECANTE I DATI ELETTRICI NECESSARI ALL'INSTALLAZIONE È POSTA SUL FIANCO DESTRO DELLA CELLA.**

Un'alimentazione elettrica non corretta potrebbe essere causa d'incendio, scossa elettrica o infortunio.

**L'INSTALLAZIONE DEVE ESSERE EFFETTUATA SECONDO LE ISTRUZIONI RIPORTATE ALLA PRESENTE SEZIONE DA PERSONALE PROFESSIONALMENTE QUALIFICATO.**

**COLLEGARE AD UN EFFICACE IMPIANTO DI MESSA A TERRA COME PREVISTO DALLE VIGENTI NORME DI SICUREZZA ELETTRICA.**

Una messa a terra difettosa sarebbe causa di cortocircuito o scossa elettrica nel caso di malfunzionamento.



**L'APPARECCHIO DEVE ESSERE INOLTRE INCLUSO IN UN SISTEMA EQUIPOTENZIALE LA CUI EFFICIENZA DEVE ESSERE VERIFICATA SECONDO LE NORME IN VIGORE.**

**È VIETATO L'USO DI ADATTATORI, PRESE MULTIPLE, E/O PROLUNGHE.**

### ■ CONTROLLI PRELIMINARI GENERICI

- Verificare che il piano d'appoggio sia adatto a sopportare il peso dell'apparecchio e sia in piano; Disporre l'apparecchio a bolla. Agire eventualmente sulla parte mobile dei piedini regolabili fino a ottenere un perfetto allineamento: tutti i piedini devono poggiare sul pavimento. Eventualmente utilizzare un'apposita livella. La deviazione massima consigliata dal piano orizzontale è di +/-0,5 gradi. L'apparecchiatura dotata di ruote non può essere livellata, quindi fare attenzione che il piano di appoggio sia perfettamente orizzontale e piana.

Pregiudica la stabilità dell'apparecchiatura e può causarne la caduta. Il corretto funzionamento delle porte potrebbe essere compromesso.

- Per evitare la possibile formazione di condensa o ghiaccio, si consiglia lasciare almeno 5 cm di spazio libero tra le apparecchiature. E' indispensabile che i modelli con unità condensatrice a bordo abbiano almeno 50 cm di spazio libero in fronte (tavoli) o sopra (armadi); non impedire la libera circolazione dell'aria del vano motore; non mettere l'apparecchio vicino a fonti di calore o in un luogo esposto alla luce diretta del sole.

Non rispettare queste norme può provocare gravi danni al circuito frigorifero o ai prodotti contenuti nell'apparecchiatura.

- Nel caso in cui l'apparecchiatura sia stata spostata, è necessario aspettare un certo tempo prima di rimetterla in funzione. In particolare se la movimentazione è avvenuta con l'apparecchiatura in posizione diversa da quella di lavoro, bisogna attendere almeno 2 ore.

- Togliere la plastica a protezione delle superfici esterne e lavare l'interno con acqua tiepida e sapone neutro.

- Le chiavi di chiusura (se disponibili) non devono essere a portata di mano dei bambini.

### ■ CONTROLLI PRELIMINARI ALLA PARTE ELETTRICA E MESSA IN FUNZIONE.

- Il valore di tensione e frequenza di rete deve corrispondere a quello riportato nella targhetta matricolare dell'apparecchiatura (punto 6 del paragrafo "Dati matricolari").

Un'alimentazione elettrica non corretta potrebbe essere causa d'incendio, scossa elettrica o infortunio.

- Installare a monte della presa un fusibile da 16A.

- Portare l'interruttore generale cui andrà collegata la spina del cavo di alimentazione nella posizione OFF.



QUEST'APPARECCHIO VA COLLEGATO ALLA RETE DI ALIMENTAZIONE UTILIZZANDO LA SPINA IN DOTAZIONE.

UNA VOLTA CHE L'APPARECCHIO È STATO INSTALLATO, LA SPINA DEVE RIMANERE FACILMENTE ACCESSIBILE

- Verificare la compatibilità della presa con la spina dell'apparecchio. Nel caso si rendesse necessario, fare sostituire la presa con altra di tipo adatto da personale professionalmente qualificato. Quest'ultimo dovrà anche accertare che la sezione dei cavi della presa sia idonea alla potenza assorbita dall'apparecchiatura.

- Dopo aver eseguito scrupolosamente quanto sopra esposto, è possibile avviare l'apparecchio.

- Portare l'interruttore generale cui è collegata la spina del cavo di alimentazione nella posizione ON.

- Premere il pulsante "ON/STAND BY" del Pannello di comando per accendere l'apparecchio ..

Dopo 1 minuto, il compressore parte e la temperatura interna si regola al valore impostato in fabbrica.

- Per le modalità operative relative alla variazione del valore del SET POINT predeterminato in fabbrica consultare la sezione PANNELLO DI COMANDO.



NON CARICARE L'APPARECCHIATURA FINO A QUANDO LA TEMPERATURA NON AVRÀ RAGGIUNTO IL VALORE PREIMPOSTATO.

NON SUPERARE MAI IL LIMITE DI CARICO INDICATO DALL'APPOSITA ETICHETTA POSTA ALL'INTERNO DELLA CELLA.

### ■ FUNZIONAMENTO

- La corretta conservazione delle derrate è un fattore importante nella produzione igienica e sicura di alimenti e inoltre migliora l'efficienza delle attività gastronomiche e incide sul consumo di energia. Rispettare le istruzioni riportate sotto per ottenere il massimo rendimento dall'apparecchiatura.

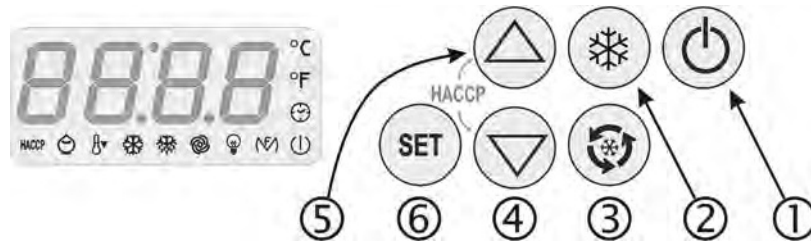
- I prodotti devono essere sempre conservati sui ripiani; non caricare prodotti sul fondo della cella.



I PRODOTTI DEVONO ESSERE CARICATI IN MODO TALE DA PERMETTERE IL LIBERO FLUSSO DELL'ARIA.

LASCIARE DEGLI SPAZI LIBERI TRA I PRODOTTI E NON SISTEMARLI A CONTATTO CON LE PARETI. ALL'OCCORRENZA, MODIFICARE LA DISTANZA TRA I RIPIANI.

## ■ Pannello di comando



### ■ TASTIERA E FUNZIONI ASSOCIATE

- Tenendo premuti contemporaneamente il tasto e il tasto per alcuni secondi si blocca la tastiera: il display visualizzerà "Loc".
- Premendoli di nuovo la tastiera si sblocca: il display visualizzerà "UnL".

#### ON/STAND BY

Premendo il tasto per alcuni secondi l'apparecchio si accende/spegne.

#### SBRINAMENTO MANUALE

Premendo il tasto per alcuni secondi si attiva uno sbrinamento manuale se la temperatura dell'evaporatore lo consente, e a condizione che non sia attiva la funzione Overcooling.

Se l'intervallo di sbrinamento scade mentre un Overcooling è in corso, lo sbrinamento verrà attivato alla conclusione della funzione stessa.

#### LUCE CELLA / FREDDO CONTINUO (SE PRESENTE)

Premendolo brevemente, la luce cella si accende/spegne in modo manuale. (solo per modelli con porta in vetro).

Se presente: premendolo per almeno 4 sec., si prepara l'apparecchiatura all'utilizzo intenso durante la fase di produzione e carico del frigorifero. L'ultimo tempo impostato appare sul display ed è possibile variarlo con i tasti UP e DOWN (con regolazione ogni 30 min). Premendo nuovamente il tasto a lungo si avvia il ciclo; viene avviato uno sbrinamento (se necessario) dopo di che il compressore funzionerà in modo continuo per il tempo impostato, senza effettuare ulteriori sbrinamenti.

Il display visualizza alternativamente il tempo mancante e la temperatura in cella.

Durante questa fase, tornando a premere il pulsante si può variare il tempo impostato od interrompere il ciclo portando il valore a "00:00" e ripremendo quindi a lungo il tasto .

#### tasto DOWN

Scorre le voci del menù e decrementa i valori.

#### tasto UP

Scorre le voci del menù e incrementa i valori.

Premuto per alcuni secondi attiva la funzione per bassa UR% (sul display compare "rhL") o per alta UR% (sul display compare "rhH") per 10 sec. Se la funzione non è disponibile, la pressione sul tasto provocherà la visualizzazione dell'indicazione "----".

#### SET POINT / START

Permette di accedere alla funzione di modifica del set point.

### ■ TACITAZIONE BUZZER (se presente)

Premere brevemente un tasto qualsiasi.

### ■ IMPOSTAZIONE DEL SET POINT

- premere e rilasciare il tasto SET (): il LED compressore lampeggerà
- premere e rilasciare il tasto UP () o il tasto DOWN () entro 15 s.
- premere e rilasciare il tasto SET () o non operare per 15 s, il LED compressore si spegnerà e lo strumento uscirà dalla procedura.



**NON ESEGUIRE NESSUNA MANUTENZIONE QUANDO L'APPARECCHIATURA È IN "ON" O IN "STAND BY".**

**DISINSERIRLO DALLA RETE DI ALIMENTAZIONE ELETTRICA.**

### ■ SEGNALAZIONI

LED	SIGNIFICATO
	<b>ACCESO:</b> Il compressore è acceso <b>LAMPEGGIANTE:</b> Modifica di Setpoint di lavoro in corso Protezione del compressore in corso
	<b>ACCESO:</b> Sbrinamento in corso <b>LAMPEGGIANTE:</b> Richiesto lo sbrinamento, ma con in corso una protezione del compressore Sgocciolamento in corso Riscaldamento del fluido refrigerante in corso
	<b>ACCESO:</b> Il ventilatore dell'evaporatore è acceso <b>LAMPEGGIANTE:</b> Fermo ventilatore dell'evaporatore in corso
	<b>ACCESO:</b> Luce cella accesa in modo manuale <b>LAMPEGGIANTE:</b> Luce cella accesa in modo automatico
	<b>ACCESO:</b> Le resistenze antiappannamento saranno accese Uscita ausiliaria accesa in modo manuale Uscita di allarme attivata Le resistenze porta saranno accese <b>LAMPEGGIANTE:</b> Uscita ausiliaria accesa in modo remoto
	<b>ACCESO:</b> Funzione Overcooling in corso
	<b>ACCESO:</b> Allarme o errore in corso
	<b>ACCESO:</b> Non tutte le informazioni sugli allarmi HACCP sono state visualizzate <b>LAMPEGGIANTE:</b> uno o più nuovi allarmi sono stati memorizzati <b>SPENTO:</b> Tutte le informazioni sugli allarmi sono state visualizzate Elenco degli allarmi HACCP è stato cancellato
	<b>ACCESO:</b> Funzione Energy Saving in corso
	<b>ACCESO:</b> Richiesta la manutenzione del compressore
	<b>ACCESO:</b> L'unità di misura delle temperature sarà il grado Celsius
	<b>ACCESO:</b> L'unità di misura delle temperature sarà il grado Fahrenheit
	<b>ACCESO:</b> Lo strumento è in stand-by

### ■ INDICAZIONI

CODE	SIGNIFICATO
rhL	Selezionata funzione bassa UR%
rhH	Selezionata funzione per alta UR%
Loc	La tastiera è bloccata; Il Setpoint di lavoro è bloccato
----	Funzionamento richiesto non disponibile

## ■ VISUALIZZAZIONI

### TEMPERATURA CELLA

Visibile con lo strumento acceso, durante il normale funzionamento.

### TEMPERATURA EVAPORATORE (con sonda evaporatore presente)

Premere il tasto DOWN (④) per alcuni secondi, quindi premere il tasto UP (⑤) o DOWN (④) per selezionare "Pb2".

Premendo il tasto SET (⑥) sul display compare la temperatura dell'evaporatore. Premere di nuovo SET (⑥) o non operare per tornare alla visualizzazione della temperatura della cella.

### TEMPERATURA CONDENSATORE (con sonda condens. presente)

Premere il tasto DOWN (④) per alcuni secondi, quindi premere il tasto UP (⑤) o DOWN (④) per selezionare "Pb3".

Premendo il tasto SET (⑥) sul display compare la temperatura del condensatore. Premere di nuovo SET (⑥) o non operare per tornare alla visualizzazione della temperatura della cella.

### CONTEGGIO ORE FUNZIONAMENTO COMPRESSORE (solo su versione "HACCP EXTENDED")

Premere il tasto DOWN (④) per alcuni secondi, quindi premere il tasto UP (⑤) o DOWN (④) per selezionare "CH".

Premendo il tasto SET (⑥) sul display compaiono le ore di funzionamento del compressore. Premere di nuovo SET (⑥) o non operare per tornare alla visualizzazione della temperatura della cella.

## ■ IMPOSTAZIONE DATA E ORA (SE PRESENTE)

■ Premere il tasto DOWN (④) per alcuni secondi, quindi premere il tasto UP (⑤) o DOWN (④) per selezionare "rtc".

■ Premendo il tasto SET (⑥) sul display compaiono in sequenza: "yy", "nn", "dd", "hh" e "nn" seguiti da 2 numeri che corrispondono rispettivamente all'anno, al mese, al giorno, all'ora e ai minuti, valori regolabili agendo sui tasti UP (⑤) o DOWN (④).

■ Per uscire dalla procedura premere ON/STAND-BY(①).

## ■ FUNZIONI HACCP

■ Lo strumento è in grado di memorizzare fino a 3 allarmi (versione "HACCP BASIC") oppure 9 (versione "HACCP EXTENDED").

■ Lo strumento fornisce le seguenti informazioni:

- il valore critico
- la data e l'ora in cui l'allarme si è manifestato (se è presente "HACCP EXTENDED")
- la durata dell'allarme (da 1 min a 99 h e 59 min, parziale se l'allarme è in corso).

CODE	TIPO DI ALLARME	VALORE CRITICO
AL	allarme temperatura di minima	la minima temperatura della cella durante un allarme di questo tipo
AH	allarme temperatura di massima	la massima temperatura della cella durante un allarme di questo tipo
Id	allarme ingresso micro porta	la massima temperatura della cella durante un allarme di questo tipo
PF	allarme interruzione dell'alimentazione	la temperatura della cella al ripristino dell'alimentazione (parametro AA)

■ VERSIONE "HACCP BASIC": Lo strumento aggiorna le informazioni se il nuovo evento è più critico di quello in memoria o a condizione che le informazioni siano già state visualizzate. Se lo strumento è spento, non sarà memorizzato alcun allarme.

■ VERSIONE "HACCP EXTENDED": l'allarme più recente sovrascrive il più vecchio. Se la durata dell'allarme PF è tale da provocare l'errore orologio, lo strumento non fornirà alcuna informazione riguardante la durata dell'allarme.

■ Quando la causa che ha provocato l'allarme scompare, il display ripristina il normale funzionamento, salvo per l'allarme interruzione dell'alimentazione che necessita del ripristino della normale visualizzazione in modo manuale.

■ Il LED HACCP fornisce informazioni riguardanti lo stato della memoria degli allarmi HACCP: se acceso non saranno state visualizzate tutte le informazioni riguardanti gli allarmi HACCP, se lampeggia lo strumento avrà memorizzato almeno un nuovo allarme HACCP.

## ■ VISUALIZZAZIONE ALLARMI HACCP

■ Per accedere alla procedura:

- premere il tasto DOWN (④) per 2 s: il display visualizza la prima label.
- premere e rilasciare il tasto UP (⑤) o DOWN (④) il tasto per selezionare "LS".
- premere e rilasciare il tasto SET (⑥): il display visualizzerà uno dei codici "AL", "AH", "Id".

■ Per selezionare un allarme:

- premere e rilasciare il tasto UP (⑤) o DOWN (④) il tasto (p.e. per selezionare "AH").

■ Per visualizzare le informazioni riguardanti l'allarme:

- premere e rilasciare il tasto SET (⑥): il LED HACCP smetterà di lampeggiare e il display visualizzerà in successione le seguenti informazioni ("#": solo con versione "HACCP EXTENDED"):

INFO	SIGNIFICATO
8,0	il valore critico è di 8,0 °C/8 °F
StA #	il display sta per visualizzare la data e l'ora in cui l'allarme si è manifestato
y07 #	l'allarme si è manifestato nel 2007 (continua...)
n03 #	l'allarme si è manifestato nel mese di marzo (continua...)
d26 #	l'allarme si è manifestato il 26 marzo 2007
h16 #	l'allarme si è manifestato alle 16 (continua...)
n30 #	l'allarme si è manifestato alle 16 e 30
Dur	il display sta per visualizzare la durata dell'allarme
h01	l'allarme è durato 1 h (continua...)
n15	l'allarme è durato 1 h e 15 min
AH3	l'allarme selezionato

■ Per uscire dalla successione di informazioni:

- premere e rilasciare il tasto ON/STAND-BY(①): il display visualizzerà l'allarme selezionato (nell'esempio "AH3").

■ Per uscire dalla procedura:

- uscire dalla successione di informazioni
- premere e rilasciare il tasto UP (⑤) o il tasto DOWN (④) fino a quando il display visualizza la temperatura della cella o non operare per 60 s. In alternativa uscire dalla successione di informazioni
- premere e rilasciare il tasto ON/STAND-BY(①).

■ Se lo strumento non ha alcun allarme in memoria, la label "LS" non verrà visualizzata.

## ■ CANCELLAZIONE ALLARMI HACCP

- Tenere premuto il tasto DOWN (④) per 2 sec.: il display visualizzerà la prima label disponibile.
- Premere il tasto UP (⑤) o DOWN (④) per selezionare "rLS".
- Premere il tasto SET (⑥).
- Premere il tasto UP (⑤) o DOWN (④) entro 15 sec. per impostare "149".
- Premere il tasto SET (⑥) o non operare per 15 sec.: il display visualizzerà "----" lampeggiante per alcuni secondi e il LED HACCP si spegnerà, dopodiché lo strumento uscirà dalla procedura.

■ Se lo strumento non ha alcun allarme in memoria, la label "rLS" non verrà visualizzata..

## ■ Parametri e ricerca guasti

### ■ IMPOSTAZIONE DEI PARAMETRI

#### Per accedere alla procedura:

- premere UP (5) e DOWN (4) per 4 s: il display visualizzerà "PA"
- premere SET (6)
- premere UP (5) o DOWN (4) entro 15 s per impostare "-19"
- premere SET (6) o non operare per 15 s
- premere UP (5) e DOWN (4) per 4 s: il display visualizzerà "SP".

#### Per selezionare un parametro:

- premere UP (5) o DOWN (4)

#### Per modificare un parametro:

- premere SET (6)
- premere UP (5) o DOWN (4) entro 15 s
- premere SET (6) o non operare per 15 s.

#### Per uscire dalla procedura:

- premere UP (5) e DOWN (4) per 4 s o non operare per 60 s.

#### Interrompere l'alimentazione dello strumento dopo la modifica.

### ■ ALLARMI ED ERRORI

COD.	TIPO DI ALLARME
Rimedi	Conseguenze
<b>iA</b>	<b>ALLARME INGRESSO MULTIFUNZIONE</b>
Verificare le cause dell'attivazione dell'ingresso / Vedere i parametri i5 e i6 <i>Effetto stabilito da parametro i5 / Uscita allarme attivata con u1=3</i>	
<b>iSd</b>	<b>ALLARME PRESSOSTATO</b>
Verificare le cause dell'attivazione dell'ingresso / Vedere i parametri i5, i6, i7, i8 e i9 / Spegnerne e riaccendere lo strumento o interrompere l'alimentazione <i>I regolatori si spengono / Uscita allarme attivata con u1=3</i>	
<b>COH</b>	<b>ALLARME CONDENSATORE SURRISCALDATO</b>
Verificare la temperatura del condensatore / Vedere il parametro C6 <i>Uscita allarme attivata con u1=3</i>	
<b>CSd</b>	<b>ALLARME COMPRESSORE BLOCCATO</b>
Verificare la temperat. del condensatore / Vedere il parametro C7 / Spegnerne e riaccendere lo strumento: se alla riaccensione la temperat. del condensatore è > al par. C7, sarà necessario togliere l'alimentazione e pulire il condensatore <i>Compressore e ventilatore dell'evaporatore si spengono / Uscita allarme attivata con u1=3</i>	
<b>Pr1</b>	<b>ERRORE SONDA CELLA</b>
Verificare l'integrità della sonda e verificare il collegamento strumento-sonda; verificare la temperatura della cella <i>l'attività del compressore dipenderà dai parametri C4 e C5</i>	
<b>Pr2</b>	<b>ERRORE SONDA EVAPORATORE</b>
Gli stessi del caso precedente ma relativamente alla sonda evaporatore <i>se il parametro P3 è impostato a 1, lo sbrinamento durerà il tempo stabilito con il parametro d3; se il parametro P3 è impostato a 1 e il parametro d8 è impostato a 2, lo strumento funzionerà come se il parametro d8 fosse impostato a 0; se il parametro F0 è impostato a 3 o 4, lo strumento funzionerà come se il parametro fosse impostato a 2.</i>	
<b>Pr3</b>	<b>ERRORE SONDA CONDENSATORE</b>
Verificare tipo sonda / Verificare integrità della sonda / Verificare colleg. strumento-sonda / Verificare la temperatura della sonda condensatore <i>L'allarme condensatore surriscaldato ("COH") non verrà mai attivato / L'allarme compressore bloccato ("CSd") non verrà mai attivato / Uscita allarme attivata con u1=3</i>	
<b>rtc</b>	<b>ERRORE OROLOGIO</b>
Impostare di nuovo la data e l'ora <i>Sbrinamento a intervalli con d8=3 / L'HACCP non darà informazioni sulla data e ora in cui l'allarme si è manifestato / La funzione Energy Saving non disponibile in tempo reale / Uscita allarme attivata con u1=3</i>	

Risolta la causa che ha determinato l'allarme, lo strumento ripristina il normale funzionamento, salvo per i seguenti allarmi:

- "PF" - premere un tasto qualsiasi;
- "iSd" - spegnere lo strumento o interrompere l'alimentazione
- "CSd" - spegnere lo strumento o interrompere l'alimentazione

### ■ GUASTI

Nel caso di un mal funzionamento dell'apparecchiatura, controllare il seguente elenco per verificare se è possibile rimetterla in funzione senza l'intervento dell'assistenza; resta inteso che quanto riportato non copre totalmente la casistica delle possibilità.

#### ■ L'intervento di un dispositivo di sicurezza indica anomalia di funzionamento; prima di ripristinare verificare ed eliminarne la causa.

- Se il difetto persiste, rivolgetevi all'assistenza tecnica ricordandovi di segnalare la natura del difetto, il codice e il numero di matricola dell'apparecchio che si possono rilevare dalla targhetta tecnica situata all'interno dello stesso.

PROBLEMA	
	Possibile causa
	Intervento
<b>1</b>	<b>L'APPARECCHIO NON PARTE</b>
1.1	L'apparecchio non è collegato correttamente all'alimentazione. Controllare che la spina sia inserita correttamente nella presa della corrente
<b>2</b>	<b>IL COMPRESSORE SI ARRESTA RARAMENTE</b>
2.1	La temperatura del locale è troppo elevata <i>Aerare opportunamente il locale</i>
2.2	Il condensatore del frigorifero è sporco <i>Controllarlo e pulirlo accuratamente e a periodi regolari.</i>
2.3	La carica del refrigerante è scarsa <i>Rivolgersi a un centro assistenza competente per individuare e la riparare le perdite ed eseguire la ricarica</i>
2.4	Le guarnizioni porta/e sono poco efficienti <i>Se non è possibile ripristinare la funzionalità, rivolgersi a un centro assistenza competente per l'eventuale sostituzione</i>
2.5	L'evaporatore s'impacca <i>Non introdurre derrate calde e con alto contenuto d'acqua e all'occorrenza eseguire uno sbrinamento manuale</i>
2.6	Il motoventilatore non funziona correttamente <i>Rivolgersi a un centro assistenza competente per l'eventuale sostituzione</i>
<b>3</b>	<b>TRACIMAZIONE DELLA BACINELLA AUTOEVAPORANTE</b>
3.1	Introduzione frequente di derrate calde e con alto contenuto d'acqua <i>Non introdurre derrate calde e con alto contenuto d'acqua</i>
3.2	Aperture porte e/o cassette troppo frequenti <i>Prestare attenzione alle condizioni d'impiego dell'apparecchiatura</i>
<b>4</b>	<b>TEMPERATURA DELLA CELLA INSUFFICIENTE</b>
4.1	Il condensatore del frigorifero è sporco <i>Controllarlo e pulirlo accuratamente e a periodi regolari.</i>
4.2	Scarsa aerazione della zona adiacente al vano tecnico <i>Togliere eventuali ostruzioni.</i>
4.3	Ingresso di aria calda nella cella <i>Controllare che la porta chiuda correttamente e che la guarnizione sia funzionale. Se non è possibile ripristinare la funzionalità, rivolgersi a un centro assistenza competente per l'eventuale sostituzione e regolazione</i>
4.4	L'evaporatore è impaccato <i>Eseguire uno sbrinamento manuale</i>

## ■ Pulizia, manutenzione

**I SEGUENTI AVVISI SONO PARTICOLARMENTE IMPORTANTI NEL CASO IN CUI IL FLUIDO REFRIGERANTE UTILIZZATO SIA DI TIPO R290 (vedi il riferimento 13 a pagina 2 del presente manuale e la targhetta tecnica dell'apparecchio)**



MANTENERE LIBERE DA OSTRUZIONE LE APERTURE DI VENTILAZIONE NELL'INVOLUCRO DELL'APPARECCHIO O NELLA STRUTTURA DA INCASSO.

NON USARE DISPOSITIVI MECCANICI OD ALTRI MEZZI PER ACCELERARE IL PROCESSO DI SBRINAMENTO DIVERSI DA QUELLI RACCOMANDATI DAL COSTRUTTORE.

NON DANNEGGIARE IL CIRCUITO DEL REFRIGERANTE

NON USARE APPARECCHI ELETTRICI ALL'INTERNO DEGLI SCOMPARTI PER LA CONSERVAZIONE DEI CIBI CONGELATI DELL'APPARECCHIO, SE QUESTI NON SONO DEL TIPO RACCOMANDATO DAL COSTRUTTORE

- Questa sezione è dedicata all'utilizzatore finale ed è molto importante per il regolare funzionamento nel tempo dell'apparecchio.
- Poche operazioni eseguite con scrupolo e periodicamente possono evitare di dover ricorrere a interventi di personale specializzato.
- Le operazioni da compiere non richiedono conoscenze tecniche particolari.

### IMPORTANTE



PRIMA DI DAR CORSO A QUALSIASI OPERAZIONE DI MANUTENZIONE O PULIZIA DELL'APPARECCHIO DISINSERIRLO DALLA RETE DI ALIMENTAZIONE ELETTRICA. NON LAVARE L'APPARECCHIO CON GETTI D'ACQUA DIRETTI E AD ALTA PRESSIONE.

EVITARE DI INDIRIZZARE L'ACQUA SULLE PARTI ELETTRICHE.

### ■ PULIZIA

- La necessità di eseguire la pulizia dell'apparecchiatura dipende in gran parte dalla frequenza di utilizzo. Osservare l'utilizzo e programmare le operazioni di pulizia necessarie.
- Per pulire l'interno e l'esterno, utilizzare un detergente neutro o leggermente alcalino.  
Per la pulizia delle guarnizioni va utilizzato un prodotto neutro a base acqua, comunemente usato in ambito domestico.  
**PER ESEGUIRE LA PULIZIA, NON RIMUOVERE LE GUARNIZIONI!**  
Si consiglia di pulire saltuariamente l'interno con un disinfettante. Le impurità possono essere rimosse con un panno umido. La rimozione dei ripiani facilita la pulizia dell'interno.
- Non usare mai oggetti metallici per pulire l'apparecchiatura; essa potrebbe essere danneggiata.
- Per eseguire una pulizia interna più accurata è necessario rimuovere le guide supporto griglie.

### IMPORTANTE

GLI APPARECCHI SONO REALIZZATI IN ACCIAIO RESISTENTE ALLA CORROSIONE DERIVANTE DA NORMALE UTILIZZO.

EVITARE L'USO DI SOSTANZE DETERGENTI O SISTEMI DI PULIZIA AGGRESSIVI CHE NE POSSANO COMPROMETTERE L'INTEGRITÀ.

## MANUTENZIONE ORDINARIA

### BATTERIA CONDENSANTE

È importante che la batteria sia in grado di offrire il massimo scambio termico.

- Rimuovere con l'ausilio di un aspirapolvere, di un pennello o di una spazzola non metallica tutte le impurità tipo carta e polveri che possono essersi depositate sulla superficie della batteria evitando accuratamente di piegare o danneggiare le alette o le pale del motoventilatore.

**In caso di presenza di pannello filtrante, rimuoverlo e pulirlo. Al termine riposizionarlo nella posizione iniziale. Se danneggiato o troppo intasato, richiedere il ricambio e sostituirlo.**

Non rispettare queste norme può provocare gravi danni al circuito frigorifero o ai prodotti contenuti nell'apparecchiatura.

### GUARNIZIONI PORTA

Verificare l'integrità delle guarnizioni della porta: è di fondamentale importanza che sia garantita una perfetta tenuta.

### CAVO DI ALIMENTAZIONE

- Verificare che il cavo di alimentazione che collega l'apparecchio alla presa non presenti danni tali da comprometterne l'isolamento. Se il cavo di alimentazione è danneggiato, esso deve essere sostituito dal costruttore o il suo servizio assistenza tecnica o comunque da una persona con qualifica simile.

Un cavo elettrico danneggiato potrebbe essere causa d'incendio, scossa elettrica o infortunio.

### ■ FERMATE PROLUNGATE

In caso di prolungata inattività procedere come di seguito specificato:

Spegnere l'apparecchiatura e staccare il cavo di alimentazione; Vuotare l'apparecchio e procedere alla sua pulizia come descritto alla voce PULIZIA.

Lasciare le porte socchiuse onde evitare la formazione di cattivi odori.

Proteggere dalla polvere il gruppo compressore.

### ■ SOSTITUZIONE LAMPADA [ SE PRESENTE ]

Per la sostituzione della lampadina seguire le seguenti istruzioni (il tipo della lampadina è indicato in un'etichetta adesiva):

- Spegnere l'apparecchiatura e staccare il cavo di alimentazione;
- Aprire la porta e togliere il vetrino di protezione della lampadina;
- Svitare la lampadina posta all'interno del cruscotto e sostituire con una nuova di uguali caratteristiche;
- Riposizionare il vetrino di protezione.

### ■ MASSIMO CARICO DELLE GRIGLIE FORNITE IN DOTAZIONE



LE GRIGLIE FORNITE IN DOTAZIONE SONO ADATTE A SOPPORTARE UN CARICO MASSIMO DI 50 kg CIASCUNA.

IL CARICO DEVE ESSERE DISTRIBUITO IN MODO UNIFORME SULLA GRIGLIA, POSTO IN MODO DA NON OSTRUIRE LA VENTILAZIONE NELL'APPARECCHIATURA

## ■ Description fonctionnelle. reception et elimination de l'appareil


### ■ UTILISATION AUTORISÉE


- Les appareils sont conçus pour être installés à l'intérieur et doit être employé exclusivement pour la conservation de la nourriture et des boissons.
- Les modèles conservateurs (basse température) ont été projeté exclusivement pour conserver des produits pré-congelés
- L'appareil n'est pas destiné à l'emploi de la part de personnes (enfant compris) ayant des capacités psychiques ou moteur réduites, ou ayant peu d'expérience et de connaissances, sauf si c'est sous la supervision d'une personne responsable de leur sécurité au cours de l'emploi de l'appareil
- Les enfants doivent être surveillés pour s'assurer qu'ils ne jouent pas avec l'appareil
- Ne jamais introduire de liquides ou d'aliments chauds dans l'appareil et ne pas remplir jusqu'au ras les récipients munis d'un couvercle.
- Ne jamais ranger des boissons gazeuses dans le compartiment à basse temperature. Elles pourraient exploser.
- Tous les appareils comportent des surfaces qui se couvrent de givre. Suivant le modèle, ce givre peut être éliminé automatiquement (dégivrage automatique) ou manuellement. Ne jamais tenter d'éliminer le givre à l'aide d'un objet pointu. Autrement l'appareil pourrait se dommer irremédiablement.
- Le fabricant décline toute responsabilité (avec annulation de la garantie) en cas de modifications électriques et/ou mécaniques.

### ■ CONTROLE A LA RECEPTION

Contrôler à l'arrivée que l'appareil n'ait pas été endommagé pendant le transport et qu'il présente toutes les parties mentionnées dans la commande.

- En cas de dommages visibles, indiquer immédiatement sur le document de transport le défaut en ajoutant le commentaire: "RETRAIT SOUS RESERVE POUR DOMMAGES VISIBLES SUR L'EMBALLAGE".

 TOUTES LES OPERATIONS CITEES CI-APRES CONCERNANT LES EQUIPEMENTS ET LES MODALITES OPERATIONNELLES DOIVENT ETRE EFFECTUEES CONFORMEMENT AUX REGLES DE SECURITE EN VIGUEUR.

 AVANT DE DEPLACER OU SOULEVER UN APPAREIL, S'ASSURER QUE LA CAPACITE DE LEVAGE CONVIENT AU POIDS DE L'APPAREIL.

### ■ MOUVEMENT

MOUVEMENT avec CHARIOT ELEVATEUR ou SIMILAIRE.

Introduire les fourches à l'avant ou à l'arrière du socle en bois de l'appareil.

Soulever le tout en s'assurant que l'appareil est en équilibre parfait.

 PENDANT LES OPERATIONS DE MOUVEMENT, NE PAS RETOURNER NI RENVERSER L'APPAREIL.

S'IL FAUT TRASPORTER L'APPAREIL EN POSITION DIFFERENTE DE CELLE DE TRAVAIL, ATTENDRE AU MOINS 2 HEURES AVANT DE METTRE EN FONCTION.

 L'INSTALLER L'APPAREIL DANS UN ENDROIT SEC. EVITER ABSOLUMENT D'INSTALLER D'AUTRES OBJETS AU-DESSUS DE L'APPAREIL.

### ■ DEBALLAGE

Enlever la protection sans utiliser des outils qui peuvent endommager la surface.

Soulever l'appareil pour le dégager du socle.

Poser l'appareil au sol en correspondance du point prévu pour l'installation.

Vérifier s'il y a des dommages visibles.

Ne pas laisser les éléments de l'emballage à la portée des enfants car ils représentent un danger évident.

Éliminer les éléments d'emballage en les amenant dans des centres spécialisés pour le recyclage ( s'en tenir aux normes en vigueur ).

- Vérifier que le numéro de série correspond au numéro mentionné sur le document d'accompagnement.

### ■ RISQUES RESIDUELS

- Les appareils frigorifiques ont été conçus et réalisés avec les precautions appropriées afin de garantir la sécurité et de protéger la santé de l'utilisateur et ne représentent de coins dangereux, de surfaces tranchantes ou d'éléments saillants des volumes. Leur stabilité est assurée également lorsque les portes sont ouvertes; il est toutefois interdit de s'accrocher aux portes.
- Sur les appareils munis de tiroirs, ne pas ouvrir plus d'un tiroir à la fois et ne pas s'appuyer ou s'asseoir sur le tiroir ouvert, afin d'éviter de renverser ou d'endommager l'appareil.
- N.B.: Sur les appareils avec portes vitrées, ne pas extraire plus d'un panier ou d'une grille à la fois, afin de ne pas compromettre la stabilité de l'appareil.
- Dans le cas de l'équipement avec des roues, lors des déplacements faire attention de ne pas pousser violemment l'appareil, pour éviter qu'il ne se renverse ou qu'il ne s'abîme, et faire également attention aux éventuelles aspérités de la surface de glissement.
- TOUJOURS BLOQUER LES ROUES AVEC LES ARRETS PREVUS A CET EFFET.

### ■ NIVEAU DE BRUIT

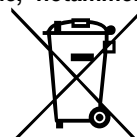
- Le niveau de pression acoustique d'émission pondéré à la place de travail est inférieur à 70 dB (A).

### ■ MISE AU REBUT DE L'APPAREIL

- Nos appareils contiennent un fluide frigorigène conforme au règlement (CE) n° 2037/2000 du 29 juin 2000, mentionné sur la plaquette signalétique ; par ailleurs, l'appareil est constitué d'éléments et de matériaux réutilisables ou recyclables. Au terme de son cycle de vie, l'appareil doit être remis à des centres de traitement écologique. Déposer la porte représente la meilleure manière de s'assurer que personne ne puisse rester enfermé accidentellement à l'intérieur.
- L'appareil ne doit pas être mis au rebut avec les déchets urbains et la ferraille.
- Eviter d'endommager le circuit frigorigène, notamment à proximité de l'échangeur.



LE REGLES LOCALES EN VIGUER POUR LA MISE A LA FERRAILLE DE CE GENRE D'APPAREILS



## ■ Mise en service

### IMPORTANT



**AVANT DE BRANCHER L'APPAREIL, S'ASSURER QUE LES DONNEES DE LA PLAQUETTE SIGNALÉTIQUE CORRESPONDENT A CELLES DU RESEAU ELECTRIQUE. LA PLAQUETTE SIGNALÉTIQUE MENTIONNANT LES DONNEES ELECTRIQUES NECESSAIRES A L'INSTALLATION EST PLACÉE SUR LA HANCHE DROITE DE LA CELLULE.**

Une alimentation électrique pas correcte pourrait être cause d'incendie, secousse électrique ou accident.

**L'INSTALLATION DOIT ÊTRE EFFECTUÉE SELON LES INSTRUCTIONS MENTIONNÉES DANS CE CHAPITRE DE LA PART DE TECHNICIENS QUALIFIÉS.**

**L'APPAREIL EST RELIÉ A UNE PRISE DE TERRE EFFICACE CONFORMEMENT AUX NORMES DE SÉCURITÉ ÉLECTRIQUE EN VIGUEUR.**

Une mise à la terre défectueuse serait cause de court-circuit ou secousse électrique en cas de mauvais fonctionnement.



**L'APPAREIL DOIT ÊTRE ÉGALEMENT INSÉRÉ A L'INTÉRIEUR D'UN SYSTÈME EQUIPOTENTIEL DONT L'EFFICACITÉ DEVRA ÊTRE CONFORME AUX NORMES EN VIGUEUR.**

**IL EST INTERDIT D'UTILISER DES ADAPTATEURS, DES PRISES MULTIPLES, ET/OU DES RALLONGES.**

### ■ CONTROLES PRELIMINAIRES

- Vérifier que le plan d'appui puisse supporter le poids de l'appareil et qu'il soit de niveau; Nivelier l'appareil à l'aide d'un niveau à bulle. Agir, le cas échéant, sur la partie mobile des pieds réglables jusqu'à avoir un alignement parfait: Tous les pieds doivent reposer sur le sol. Utiliser de préférence un bon niveau. La déviation maximale autorisée pour le plan horizontal est de +/- 0,5 degrés. L'appareil équipé de roues ne peut pas être mis à niveau; il convient donc de faire attention à ce que la surface d'appui soit parfaitement horizontale et plane. Si non la stabilité de l'appareil est compromise et causer la chute. Le fonctionnement correct des portes pourrait être compromis.
- Pour éviter possibles formations d'eau de condense ou glace, laisser un espace au moins de 5cm entre les appareils. Modèles avec unite réfrigérante installée il faut laisser un espace au moins de 50 cm frontalement (tables) ou en haut (armoires); ne pas installer l'appareil à proximité de sources de chaleur ou dans des endroits exposés au rayonnement solaire direct. Ne pas empêcher la libre circulation de l'air du moteur. Ne pas respecter ces règles peut provoquer dommages graves au circuit frigorifique ou aux produits contenu dans l'appareil.
- En cas de déplacement de l'appareil, il faut attendre un certain temps avant de le remettre en marche. Sur tout si le mouvement a été effectué en position différente de celle de travail, il faut attendre au moins 2 heures.
- Enlever le plastique qui protège les surfaces extérieures; laver son intérieur à l'eau tiède et savon neutre.
- Garder les clés de fermeture (si disponibles) hors de portée des enfants.

### ■ CONTRÔLES DE LA PARTIE ÉLECTRIQUE ET MISE EN SERVICE

- La valeur de la tension et de la fréquence du secteur doit correspondre à celle indiquée sur la plaque de matricule de l'appareil (point 6 du paragraphe " PLAQUE SIGNALÉTIQUE"). Une alimentation électrique ne corrigée pas pourrait être cause d'incendie, secousse électrique ou accident.
- Installer un fusible de 16A en amont de la prise.
- Ramener l'interrupteur général, auquel il faudra brancher la prise du câble d'alimentation, sur la position ETEINT (OFF).

CET APPAREIL DOIT ÊTRE BRANCHÉ AU RESEAU D'ALIMENTATION à L'AIDE DE LA PRISE FOURNIE EN DOTATION.



LORSQUE L'APPAREIL A ÉTÉ INSTALLÉ, LA PRISE DOIT ÊTRE FACILEMENT ACCESSIBLE

- Vérifier la compatibilité de la prise femelle avec la prise mâle de l'appareil. Le cas échéant, faire remplacer la prise femelle par une autre adéquate par un personnel professionnel qualifié. Ce dernier devra même s'assurer que la section des câbles de la prise est appropriée à la puissance absorbée par l'appareil.
- Après avoir effectué soigneusement toutes ces opérations, mettre l'appareil en marche:
- Amener l'interrupteur général auquel est reliée la fiche du câble d'alimentation sur la position ON.
- Appuyer la touche "ON/STAND BY" du panneau de commande pour allumer l'appareil. Après une minute, le compresseur démarre et la température interne se réglera par rapport à la valeur programmée en usine.
- S'il devait se rendre nécessaire de modifier les paramètres programmés en usine, lire les instructions fournies dans le chapitre " PANNEAU DE COMMANDE"



NE PAS CHARGER L'APPAREIL, AU MOINS LA TEMPÉRATURE PROGRAMMÉE NE SOIS PAS ATTEINT JAMAIS SUPÉRER LE LIMITE DE CHARGEMENT INDICUÉ PAR L'ADHÉSIF A' L'INTÉRIEUR DE LA CHAMBRE .

### ■ FONCTIONNEMENT

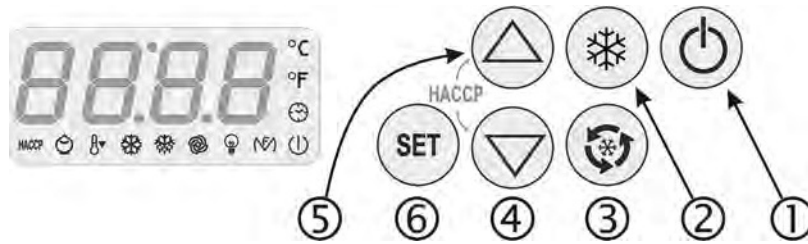
- La conservation correcte des aliments est importante pour la production hygiénique et sûre des aliments; en plus elle optimise le rendement et contribue à réduire la consommation d'énergie. Pour obtenir le meilleur rendement de l'appareil, respecter les instructions fournies ci-dessous.
- Les produits doivent toujours être conservés sur les étagères ; ne pas charger des produits au fond du compartiment réfrigéré.



**LES PRODUITS DOIVENT ÊTRE CHARGÉS DANS L'APPAREIL DE MANIÈRE À PERMETTRE LE LIBRE PASSAGE DE L'AIR.**

LAISSER DES ESPACES LIBRES ENTRE LES PRODUITS ET NE JAMAIS LES METTRE EN CONTACT DIRECT AVEC LES PAROIS. SI NECESSAIRE, MODIFIER LA DISTANCE ENTRE LES ÉTAGÈRES.

## ■ Panneau de commande



### ■ CLAVIER ET CES FONCTIONS

- Appuyer en même temps la touche (aux) et la touche (power) pendant quelques secondes, le clavier se bloque: l'écran affichera "Loc".
- En appuyant sur celles-ci de nouveau, le clavier se déblocuera: l'écran affichera "UnL".

#### (power) ON/STAND BY

En appuyant sur la touche pendant quelques secondes, l'appareil s'allume/s'éteint.

#### (snowflake) DEGIVRAGE MANUEL

En appuyant sur la touche pendant quelques secondes, on active un dégivrage manuel si la température de l'évaporateur le permet et à condition que la fonction Overcooling ne soit pas active. Si l'intervalle de dégivrage est dépassé tandis qu'un Overcooling est en cours, le dégivrage sera activé lorsque la fonction mêle se conclura.

#### (fan) ECLAIRAGE CELLULE / FROID CONTINU (si présent)

En appuyant sur la touche auxiliaire, la lumière de la cellule s'allumera ou s'éteindra manuellement. (seulement version porte vitré).

Si présent : En appuyant dessus pendant au moins 4s, on prépare l'appareil à l'utilisation intense pendant la phase de production et de chargement du réfrigérateur. Le dernier temps configuré apparaît sur l'écran et on peut le changer avec les touches UP et DOWN (avec réglage toutes les 30 min.) En appuyant à nouveau longtemps sur la touche (3) le cycle démarre ; un dégivrage est démarré (si nécessaire) après quoi le compresseur fonctionnera en mode continu pendant le temps configuré, sans effectuer d'autres dégivrages.

L'écran affiche alternativement le temps manquant et la température en cellule. Pendant cette phase, en appuyant à nouveau sur le bouton (3) on peut changer le temps configuré ou interrompre le cycle en mettant la valeur à "00:00" et en appuyant longtemps sur la touche (3).

#### (down arrow) touche BAS

Elle fait défiler les options du menu et diminue les valeurs.

#### (up arrow) touche HAUT

Elle fait défiler les options du menu et augmente les valeurs.

En la maintenant appuyée pendant quelques secondes, la fonction pour UR% bas (sur l'écran "rhL" apparaît) s'activera ou pour UR% élevé (sur l'écran "rhH" apparaît) pendant 10 sec. Si la fonction n'est pas disponible, l'appui sur la touche entraîner l'affichage de l'indication "----".

#### (set) POINT DE CONSIGNE

Cela permet d'accéder à la fonction de modification du point de consigne

### ■ DESACTIVATION DU BUZZER (si présent)

Appuyer brièvement sur une touche quelconque.

### ■ IMPOSTATION DU SET POINT

- appuyer et laisser la touche SET(6): le LED compresseur clignotera
- appuyer et laisser la touche HAUT(5) ou la touche BAS(4) entre 15 s.

- appuyer et laisser la touche SET(6) ou pas opérer pour 15 s le LED compresseur s'éteindra, après quoi l'instrument sortira la procédure.



**NE PAS EFFECTUER D'ENTRETIEN LORSQUE L'APPAREIL EST SUR ON OU EN STAND-BY. LE DEBRANCHER DU RESEAU D'ALIMENTATION ELECTRIQUE.**

### ■ SIGNALEMENTS

LED	SIGNIFICATION
(snowflake)	<b>ACCES:</b> Le compresseur est allumé <b>CLIGNOTANT:</b> Modification du Point de consigne de travail en cours Protection du compresseur en cours
(snowflake)	<b>ACCES:</b> Dégivrage en cours <b>CLIGNOTANT:</b> Dégivrage demandé mais avec une protection du compresseur en cours Ecoulement en cours Chauffage du fluide réfrigérant en cours
(fan)	<b>ACCES:</b> Le ventilateur de l'évaporateur est allumé <b>CLIGNOTANT:</b> Arrêt ventilateur de l'évaporateur en cours
(lightbulb)	<b>ACCES:</b> Lumière cellule allumée en mode manuel <b>CLIGNOTANT:</b> Lumière cellule allumée en mode automatique
(NEM)	<b>ACCES:</b> Les résistances anti-buée seront allumées Sortie auxiliaire allumée en mode manuel Sortie d'alarme activée Les résistances de la porte seront allumées <b>CLIGNOTANT:</b> Sortie auxiliaire allumée en mode à distance
(down arrow)	<b>ACCES:</b> Fonction Overcooling en cours
(warning triangle)	<b>ACCES:</b> Alarme ou erreur en cours
HACCP	<b>ACCES:</b> Pas toutes les informations sur les alarmes HACCP été visualisées <b>CLIGNOTANT:</b> Au moins une nouvelle alarme a été mémorisée. <b>ETEINT:</b> Toutes les informations sur les alarmes ont été visualisées La liste des alarmes HACCP a été effacée
(power)	<b>ACCES:</b> Fonction Energy Saving en cours
(key)	<b>ACCES:</b> L'entretien du compresseur est demandé
(C/F)	<b>ACCES:</b> L'unité de mesure des températures sera le degré Celsius
(F)	<b>ACCES:</b> L'unité de mesure des températures sera le degré Fahrenheit
(power)	<b>ACCES:</b> L'instrument est en stand-by

### ■ INDICATIONS

CODE	SIGNIFICATION
rhL	Fonction UR% bas sélectionnée
rhH	Fonction UR% élevé sélectionnée
Loc	Le clavier est bloqué Le Point de Consigne est bloqué
----	Fonctionnement demandé non disponible



## ■ AFFICHAGES

### TEMPERATURE CELLULE

Visible avec l'instrument allumé, pendant le fonctionnement normal.

### TEMPERATURE EVAPORATEUR (avec sonde évaporateur présent)

Appuyer sur la touche DOWN (④) pendant quelques secondes, puis appuyer sur la touche UP (⑤) ou DOWN (④) pour sélectionner "Pb2". En appuyant sur la touche SET (⑥) sur l'écran apparaît la température de l'évaporateur. Appuyer de nouveau SET (⑥) ou ne pas opérer pour revenir à l'affichage de la température de la cellule.

### TEMPERATURE CONDENSATEUR (avec sonde condensateur présent)

Appuyer sur la touche DOWN (④) pendant quelques secondes, puis appuyer sur la touche UP (⑤) ou DOWN (④) pour sélectionner "Pb3". En appuyant sur la touche SET (⑥) sur l'écran apparaît la température du condensateur. Appuyer de nouveau SET (⑥) ou ne pas opérer pour revenir à l'affichage de la température de la cellule.

### DECOMPTE HEURES FONCTIONNEMENT COMPRESSEUR (seulement version HACCP "EXTENDED")

Appuyer sur la touche DOWN (④) pendant quelques secondes, puis appuyer sur la touche UP (⑤) ou DOWN (④) pour sélectionner "CH". En appuyant sur la touche SET (⑥) sur l'écran apparaissent les heures de fonctionnement du compresseur. Appuyer de nouveau SET (⑥) ou ne pas opérer pour revenir à l'affichage de la température de la cellule.

## ■ REGLAGE DATE ET HEURE (si présent)

- Appuyer sur la touche DOWN (④) pendant quelques secondes, puis appuyer sur la touche UP (⑤) ou DOWN (④) pour sélectionner "rtc".
- En appuyant sur la touche SET (⑥) sur l'écran apparaissent à la suite: "yy", "nn", "dd", "hh" et "nn" suivies de 2 numéros qui correspondent respectivement à l'année, au mois, à l'heure et aux minutes, des valeurs réglables en intervenant sur les touches UP (⑤) ou DOWN (④). Pour sortir de la procédure, appuyer sur ON/STAND-BY(①).

## ■ FONCTIONS HACCP

- L'instrument peut mémoriser jusqu'à 3 alarmes (version "HACCP BASIC") ou jusqu'à 9 alarmes (version "HACCP EXTENDED").
- L'instrument fournit les informations suivantes:
  - la valeur critique
  - la date et l'heure de l'alarme (version "HACCP EXTENDED").
  - la durée de l'alarme (d'1 min à 99h et 59 min, partielle si l'alarme est en cours)

CODE	TYPE D'ALARME	VALEUR CRITIQUE
AL	alarme température de minimum	la température minimum de la cellule durant une alarme de ce type
AH	alarme température de maximum	la température maximum de la cellule durant une alarme de ce type
Id	alarme entrée micro porte	la température maximum de la cellule durant une alarme de ce type
PF	alarme interruption de l'alimentation	la température de la cellule lors du rétablissement de l'alimentation (par. AA)

- VERSION "HACCP BASIC": L'instrument actualise les informations si le nouveau alarme est pire de l'alarme déjà sauvé ou à condition que les informations ont été déjà montré. Si l'instrument est éteint, aucun alarme verra sauver.
- VERSION "HACCP EXTENDED": Si la durée de l'alarme PF cause un erreur horloge, l'instrument ne fournira aucune information concernant la durée de l'alarme.
- Quand la cause l'alarme disparaît, l'écran rétablit le fonctionnement normal, sauf pour l'alarme de coupure de l'alimentation qui nécessite le rétablissement de l'affichage normale manuellement.

- La LED HACCP fournit des informations concernant l'état de la mémoire des alarmes HACCP: si elle est allumée, toutes les informations concernant les alarmes HACCP ne seront pas visualisées; si elle clignote, l'instrument aura mémorisé au moins une nouvelle alarme HACCP.

## ■ AFFICHAGE DES INFORMATIONS CONCERNANT LES ALARMES HACCP

- Pour accéder à la procédure:
  - appuyer sur la touche DOWN (④) pendant 2 s: l'écran affiche le premier label.
  - appuyer puis relâcher la touche UP (⑤) ou la touche DOWN (④) pour sélectionner "LS".
  - appuyer et relâcher la touche SET (⑥): l'écran affichera l'un des codes "AL", "AH", "id".
- Pour sélectionner une alarme:
  - appuyer puis relâcher la touche UP (⑤) ou la touche DOWN (④) (par ex. pour sélectionner "AH").
- Pour visualiser les informations concernant l'alarme:
  - appuyer et relâcher la touche SET (⑥): la LED HACCP cessera de clignoter et l'écran affichera en suivant les informations ci-dessous ("#": seulement version "HACCP EXTENDED"):

INFO	SIGNIFICATION
8,0	la valeur critique est de 8,0 °C/8 °F
StA #	l'écran est sur le point d'afficher la date et l'heure auxquelles l'alarme s'est manifestée
y07 #	l'alarme s'est manifestée en 2007 (continue...)
n03 #	l'alarme s'est manifestée au mois de mars (continue...)
d26 #	l'alarme s'est manifestée le 26 mars 2007
h16 #	l'alarme s'est manifestée à 16 h (continue..)
n30 #	l'alarme s'est manifestée à 16 h 30
Dur	l'écran est sur le point d'afficher la durée de l'alarme
h01	l'alarme a duré 1 h (continue..)
n15	l'alarme a duré 1 h 15 min
AH3	l'alarme sélectionnée

- Pour sortir de la suite d'informations:
  - appuyer et relâcher la touche ON/STAND-BY(①): l'écran affichera l'alarme sélectionnée (dans l'exemple "AH3").
- Pour sortir de la procédure:
  - sortir de la suite d'informations
  - appuyer puis relâcher la touche UP (⑤) ou la touche DOWN (④) jusqu'à ce que l'écran affiche la température de la cellule ou ne pas intervenir pendant 60 s.

- Si l'instrument n'a aucune alarme en mémoire, le label "LS" ne sera pas affiché

## ■ EFFACEMENT DE LA LISTE D'ALARMES HACCP

- Maintenir appuyée la touche DOWN (④) pendant 2 sec.: l'écran affichera le premier label disponible.
- Appuyer sur la touche UP (⑤) ou DOWN (④) pour sélectionner "rLS".
- Appuyer sur la touche SET (⑥).
- Appuyer sur la touche UP (⑤) ou DOWN (④) dans les 15 sec pour configurer "149".
- Appuyer sur la touche SET (⑥) ou ne pas intervenir pendant 15 sec.: l'écran affichera "—" clignotant pendant quelques secondes et la LED HACCP s'éteindra, après quoi l'instrument sortira de la procédure.
- Si l'instrument n'a aucune alarme en mémoire, le label "rLS" ne sera pas affiché.

## ■ Paramètres et recherche pannes

### ■ CONFIGURATION DES PARAMETRES

#### Pour accéder à la procédure:

- appuyer sur UP (Ⓢ) et DOWN (Ⓣ) pendant 4 s: le display affiche "PA"
- appuyer sur SET (Ⓢ)
- appuyer sur UP (Ⓢ) ou DOWN (Ⓣ) dans les 15 s pour configurer "-19"
- appuyer sur SET (Ⓢ) ou ne pas opérer pendant 15 s
- appuyer sur UP (Ⓢ) et DOWN (Ⓣ) pendant 4 s: le display affiche "SP".

#### Pour sélectionner un paramètre:

- appuyer sur UP (Ⓢ) ou DOWN (Ⓣ)

#### Pour modifier un paramètre:

- appuyer sur SET (Ⓢ)
- appuyer sur UP (Ⓢ) ou DOWN (Ⓣ) dans les 15 s
- appuyer sur SET (Ⓢ) ou ne pas opérer pendant 15 s.

#### Pour sortir de la procédure:

- appuyer sur UP (Ⓢ) et DOWN (Ⓣ) pendant 4 s ou ne pas opérer pendant 60 s.

Interrompre l'alimentation de l'instrument après la modification.

### ■ ALARMES ET ERREURS

CODE	TYPE D'ALARME
Solutions Consequences	
iA	<b>ALARME ENTRÉE MULTIFONCTION</b>
Vérifier les causes de l'activation de l'entrée / Voir les paramètres i5 et i6 Effet établi selon le paramètre i5 / Sortie alarme activée avec u1=3	
iSd	<b>ALARME PRESSOSTAT</b>
Vérifier les causes de l'activation de l'entrée / Voir les paramètres i5, i6, i7, i8 et i9 / Eteindre et rallumer l'instrument ou interrompre l'alimentation Les régulateurs s'éteignent / Sortie alarme activée avec u1=3	
COH	<b>ALARME CONDENSATEUR SURCHAUFFÉ</b>
Vérifier la température du condensateur / Voir le paramètre C6 Sortie alarme activée avec u1=3	
CSd	<b>ALARME COMPRESSEUR BLOQUÉ</b>
Vérifier la température du condensateur / Voir le paramètre C7 / Eteindre puis rallumer l'instrument: si au moment du rallumage la température du condensateur est encore > au par. C7, il faudra couper l'alimentation et nettoyer le condensateur Le compresseur et le ventilateur de l'évaporateur s'éteignent / Sortie alarme activée avec u1=3	
Pr1	<b>ERREUR SONDE CELLULE</b>
Vérifier le type de sonde / Vérifier l'intégrité de la sonde / Vérifier la connexion instrument-sonde / Vérifier la température de la cellule Compresseur allumé ou éteint pendant 10 min / Le dégivrage ne sera jamais activé / Sortie alarme activée avec u1=3	
Pr2	<b>ERREUR SONDE ÉVAPORATEUR</b>
Vérifier le type de sonde / Vérifier l'intégrité de la sonde / Vérifier la connexion instrument-sonde / Vérifier la température de la sonde de l'évaporateur Dégivrage actif pendant 30 min avec P3=1 / Dégivrage à des intervalles avec P3=1 et d8=2 / Le ventilateur de l'évaporateur fonctionne en parallèle au compresseur avec F0=3 ou 4 / Sortie alarme activée avec u1=3	
Pr3	<b>ERREUR SONDE CONDENSATEUR</b>
Vérifier le type de sonde / Vérifier l'intégrité de la sonde / Vérifier la connexion instrument-sonde / Vérifier la température de la sonde du condensateur L'alarme condensateur surchauffé ("COH") ne sera jamais activée / L'alarme compresseur bloqué ("CSd") ne sera jamais activée / Sortie alarme activée avec u1=3	
rtc	<b>ERREUR HORLOGE</b>
configurer de nouveau la date et l'heure Dégivrage à intervalles avec d8=3 / L'HACCP ne donnera pas d'informations sur la date et l'heure auxquelles l'alarme s'est manifestée / La fonction Energy Saving n'est pas disponible en temps réel / Sortie alarme activée avec u1=3	

Après avoir résolu le problème qui a déclenché l'alarme, l'instrument rétablit le fonctionnement normal, sauf pour les alarmes suivantes pour lesquelles il faut:

- "PF" appuyer sur une touche quelconque;
- "iSd" éteindre l'instrument ou couper l'alimentation
- "CSd" éteindre l'instrument ou couper l'alimentation

### ■ RECHERCHE DES PANNES

En cas de mauvais fonctionnement de l'appareil, utiliser la liste suivante pour vérifier la possibilité de le remettre en service sans l'intervention de l'assistance technique; nous n'avons évidemment pas pu considérer la totalité des possibilités.

■ Si un dispositif de sécurité intervient, cela indique qu'il y a une anomalie de fonctionnement; avant de rétablir la situation initiale, vérifier et éliminer la cause.

■ Si le défaut persiste, adressez-vous à l'assistance technique et souvenez-vous de signaler la nature du défaut, le code et le numéro d'immatriculation de l'appareil que vous pourrez lire sur la plaque indiquant les caractéristique qui se trouve sur l'appareil.

PROBLEME	
	Cause possible
	Intervention
<b>1</b>	<b>LE COMPRESSEUR NE DEMARRE PAS</b>
1.1	L'appareil ne'est pas alimenté correctement. Contrôler que la fiche soit correctement introduite dans la prise de courant
<b>2</b>	<b>LE COMPRESSEUR S'ARRETE RAREMENTE</b>
2.1	La température ambiante est trop élevée Ventilez le local opportunément
2.2	Le condenseur du réfrigérateur est sale Contrôlez-le périodiquement et nettoyez-le soigneusement
2.3	La charge en fluide frigorigène est insuffisante Adressez-vous à un centre après-vente compétent pour trouver et réparer les fuites et pour recharger l'unité
2.4	Joints de la/des porte/s défectueux Adressez-vous à un centre après-vente compétent pour le/les remplacer
2.5	L'évaporateur a trop de givre N'introduisez pas d'aliments chauds ou à haute teneur en eau et, si besoin en est, faites un dégivrage manuel
2.6	Moto-ventilateur en panne Adressez-vous à un centre après-vente compétent pour les remplacer
<b>3</b>	<b>SUINTEMENTS DEPUIS LE BAC À ÉVAPORATION AUTOMATIQUE</b>
3.1	Introduction fréquente d'aliments chauds et à haute teneur en eau. N'introduisez pas d'aliments chauds et à haute teneur en eau
3.2	Ouverture trop fréquente des portes et/ou des tiroirs Veiller aux conditions d'utilisation de l'appareil
<b>4</b>	<b>TEMPERATURE INSUFFISANTE DANS LA CHAMBRE</b>
4.1	Le condenseur du réfrigérateur est sale Contrôlez-le périodiquement et nettoyez-le soigneusement
4.2	Mauvaise aération de la zone adjacente l'élogement technique Libérer éventuellement les entrées/sortie de l'air du condenseur
4.3	Entrée d'air chaude dans la chambre Contrôler que la porte ferme correctement et que le joint soit fonctionnel. S'il n'est pas possible restaurer le fonctionnement, s'adresser à un centre après-vente compétent pour le/les remplacer
4.4	L'évaporateur a trop de givre Faites un dégivrage manuel

## ■ Nettoyage et entretien

**LES AVIS SUIVANTS SONT PARTICULIEREMENT IMPORTANTS AU CAS OU LE FLUIDE REFRIGERANT UTILISÉ EST DU TYPE R290 (voir la référence 13 à page 2 du présent manuel et la plaque technique de l'appareil)**



LAISSER LIBRE DE TOUTE OBSTRUCTION LES OUVERTURES DE VENTILATION DANS LA HOUSSE DE L'APPAREIL OU DANS LA STRUCTURE D'ENCASTREMENT.

NE PAS UTILISER DE DISPOSITIFS MÉCANIQUES OU AUTRES MOYENS POUR ACCELERER LE PROCESSUS DE DEGIVRAGE DIFFÉRENTS QUE CEUX RECOMMANDÉS PAR LE CONSTRUCTEUR.

NE PAS ENDOMMAGER LE CIRCUIT DU REFRIGÉRANT

NE PAS UTILISER D'APPAREILS ÉLECTRIQUES À L'INTÉRIEUR DES COMPARTIMENTS POUR LA CONSERVATION DES ALIMENTS CONGÈLES DE L'APPAREIL, SI CES DERNIERS NE SONT PAS DU TYPE RECOMMANDÉ PAR LE CONSTRUCTEUR

- Ce chapitre s'adresse à l'utilisateur final et est extrêmement important pour le fonctionnement régulier et la durée de vie de l'appareil.
- Quelques opérations effectuées soigneusement et régulièrement permettent d'éviter de faire appel à des techniciens spécialisés.
- Les opérations à effectuer ne nécessitent aucune connaissance technique spéciale et se résument en de simples contrôles des composants de l'appareil.

### IMPORTANT



AVANT TOUTE OPÉRATION D'ENTRETIEN OU DE NETTOYAGE DE L'APPAREIL, NE PAS OUBLIER DE LE DEBRANCHER.

NE PAS LAVER L'APPAREIL DIRECTEMENT AU JET D'EAU À HAUTE PRESSION.

FAIRE ATTENTION À NE PAS MOUILLER LES PARTIES ÉLECTRIQUES.

### ■ NETTOYAGE

- La nécessité d'effectuer le nettoyage de l'appareil dépend en grande partie de la fréquence d'utilisation. Observer l'utilisation et, de conséquence, programmer les opérations de nettoyage nécessaires.
- Pour nettoyer l'intérieur et l'extérieur, utiliser un détergent neutre ou légèrement alcalin.  
Pour le nettoyage des joints à utiliser un produit neutre à base d'eau communément utilisé en domaine domestique. **POUR NETTOYER LES JOINTS, IL NE FAUT PAS LES ENLEVER!**
- Il est conseillé de nettoyer l'intérieur de temps en temps avec un désinfectant. Les impuretés peuvent être éliminées avec un chiffon humide. Le retrait des étagères facilite beaucoup le nettoyage de l'intérieur.
- Il est interdit d'utiliser un jet sous pression pour nettoyer l'appareil. Ne jamais utiliser d'objets métalliques pour nettoyer l'appareil, sous peine de l'endommager.
- Pour nettoyer l'intérieur plus proprement il faut enlever les guides support grille.

### IMPORTANT

LES APPAREILS SONT RÉALISÉS EN ACIER AISI RÉSISTANT À LA CORROSION DUE À L'UTILISATION NORMALE.  
ÉVITER D'UTILISER DES PRODUITS DÉTERGENTS OU DES SYSTÈMES DE NETTOYAGE QUI POURRAIENT COMPROMETTRE SON.

### ■ ENTRETIEN HABITUEL

#### BATTERIE DE CONDENSATION

Il est important que la batterie puisse offrir le plus grand échange thermique possible.

- Passer l'aspirateur, un pinceau ou une brosse non métallique pour retirer toutes les impuretés (papier et poussière) qui peuvent se déposer sur la surface de la batterie sans endommager ni plier les ailettes de la batterie ou le ventilateur.  
S'il y a un filtre, l'enlever, le nettoyer et l'installer de nouveaux dans sa position d'origine. Si cassé ou trop sale, demander la pièce détachée et le changer.

Ne pas respecter ces règles il peut provoquer dommages graves au circuit frigorifique ou aux produits contenu dans l'appareil.

#### JOINTS PORTE

Vérifier l'intégrité des joints de la porte. Il est très important garantir une fermeture impeccable.

#### CABLE D'ALIMENTATION

- Vérifier que le câble qui relie l'appareil à la prise ne soit en aucune façon endommagé au point de compromettre son isolation. Si le câble d'alimentation est endommagé, il doit être remplacé par le constructeur, un service d'assistance autorisé ou personnel également qualifié.

Un câble électrique endommagé pourrait être cause d'incendie, secousse électrique ou accident.

### ■ ARRETS PROLONGES

En cas d'arrêt prolongé de l'appareil, procéder de la façon suivante:  
Amener l'interrupteur de réseau sur la position OFF.

Débrancher l'appareil.

Vider l'appareil et le nettoyer en suivant les conseils du point NETTOYAGE.

Laisser les portes entr'ouvertes pour éviter la formation de mauvaises odeurs.

Protéger le groupe compresseur contre la poussière.

### ■ REMPLACEMENT DE L'AMPOULE [SI PRÉSENT]

Pour remplacer l'ampoule, respecter les instructions suivantes (le voltage de l'ampoule est indiqué sur une étiquette adhésive) :

- Éteindre l'appareil et le débrancher;
- Ouvrir la porte;
- Retirer le bouchon de protection de l'ampoule;
- Dévisser l'ampoule qui se trouve à l'intérieur du bandeau de commande et la remplacer par une neuve ayant le même voltage;
- Replacer le bouchon de protection.

### ■ CHARGE MAX. DES GRILLES FOURNIES EN DOTATION



LES GRILLES FOURNIES EN DOTATION SONT ADAPTÉES POUR SUPPORTER UNE CHARGE MAXIMUM DE 50 kg CHACUNE.

LA CHARGE DOIT ÊTRE DISTRIBUÉE DE FAÇON UNIFORME SUR LA GRILLE, POSITIONNÉE DE MANIÈRE À NE PAS OBSTRUER LA VENTILATION DANS L'APPAREIL.

## ■ Descripción funcional, recepción y eliminación del aparato

### ■ USO PERMITIDO

- El aparato debe utilizarse exclusivamente al empleo interior y para conservar alimentos y bebidas.
- Los modelos conservatorios (baja temperatura) han sido planeados exclusivamente para conservar productos pre-congelados.
- El aparato no está destinado al uso por parte de personas (incluidos los niños) con reducidas capacidades psíquicas o motoras, o con falta de experiencia y conocimiento, a menos que haya una supervisión o instrucción sobre el uso del aparato por parte de una persona responsable para la seguridad.
- Los niños deben estar vigilados para asegurarse de que no juegan con el aparato.
- No introduzca nunca líquidos o alimentos calientes y no llene hasta el borde los recipientes con tapa.
- No coloque nunca bebidas con gas en el compartimento de baja temperatura- Pueden explotar.
- En todos los aparatos hay superficies que se cubren de escarcha. Según el modelo, la escarcha puede eliminarse manualmente o automáticamente (desescarche automático). Nunca trate de quitar la escarcha con un objeto puntiagudo. Podría dañar irremediablemente el aparato.
- El fabricante declina toda su responsabilidad en caso de modificaciones eléctricas y/o mecánicas, que causarán asimismo la pérdida de validez de la garantía.

### ■ CONTROL A LA RECEPCIÓN

Controlar a la llegada que el aparato no haya padecido daños durante el transporte y que el mismo esté completo en sus partes como de pedido.

- En el caso de daños visibles apuntar enseguida sobre el documento relativo al transporte el daño hallado reconduciendo la dicción: "RETIRO CON RESERVA POR EVIDENTES DAÑOS A EMBALAJE".



TODAS LAS OPERACIONES EN SEGUIDA INDICADAS DEBEN SER EJECUTADAS EN CONFORMIDAD A LAS NORMAS DE SEGURIDAD VIGENTES, SEA POR CUÁNTO RELATIVO A EL APAREJO USADO SEA POR CUÁNTO RELATIVO A LAS MODALIDADES OPERATIVAS



ANTES DE DAR CURSO A OPERACIONES DE MANUTENCIÓN CERCIORARSE QUE LA CAPACIDAD DE LEVANTAMIENTO SEA ADECUADA A EL PESO DEL APARATO EN CUESTIÓN.

### ■ MANEJO

MANEJO con CARRETILLA ELEVADORA o SIMILAR.

Insertar las horcas sobre el lado anterior o posterior de la tarima de madera a ajuar del aparato.

Dar curso al levantamiento cerciorándose que el aparato esté en equilibrio estable.



EN EL CURSO DEL MANEJO NO VOLCAR O VOLTEAR.



SI SE HACE INDISPENSABLE EL TRANSPORTE EN POSICIÓN DIFERENTE DE AQUEL DE TRABAJO, ESPERAR AL MENOS 2 HORAS ANTES DE PONERLO EN FUNCIÓN.

TENER A LA SEQUEDAD. EVITAR EN EL MODO MÁS ABSOLUTO DE SUPERPONER A EL APARATO OTRO OBJETOS.

### ■ ELIMINACIÓN EMBALAJE

Sacar la protección sin utilizar herramientas que pueden dañar la superficie.

Levantar el aparato de modo de separarlo de la tarima.

Apoyar el aparato a tierra en correspondencia del punto predestinado. Averiguar la presencia de daños visibles.

Tener fuera del alcance de mano de los niños el material de embalaje en cuanto potencial fuente de peligro.

Eliminar los productos de embalaje haciéndolos confluír a los centros de colección o reciclaje especializados, atenerse a las normas vigentes.

- Averiguar la correspondencia del número de matrícula con cuanto indicado en el documento de acompañamiento.

### ■ RIESGOS RESIDUALES

- Los aparatos frigoríficos han sido diseñados y realizados con medidas oportunas para garantizar la seguridad y la salud del usuario y no presentan aristas peligrosas, superficies afiladas o elementos que sobresalgan del gálibo. Su estabilidad está garantizada incluso con las puertas abiertas; sin embargo está prohibido sujetarse de las puertas.
- En los aparatos con cajones, no abra más de un cajón a la vez y no se apoye ni se siente sobre el cajón abierto para evitar que el aparato se vuelque o sufra daños.
- ATENCIÓN: En los aparatos con puertas de vidrio, no extraiga más de una cesta o de una rejilla a la vez, para no comprometer la estabilidad del equipo.
- Preste atención, durante el desplazamiento, a no empujar violentamente el aparato, para evitar que se vuelque o sufra daños; preste atención también a posibles asperezas en la superficie de desplazamiento.
- BLOQUEE SIEMPRE LAS RUEDAS CON LOS RESPECTIVOS BLOQUEADORES.

### ■ NIVEL DE RUIDO

- El nivel de presión acústica de emisión ponderado A en los puestos de trabajo, no supere 70 dB(A).

### ■ ELIMINACIÓN DEL APARATO

- Según el Reglamento (CE) n.º 2037/2000 de 29 de junio de 2000, nuestros aparatos contienen el refrigerante indicado en su placa de características; además, el aparato está compuesto por piezas y materiales reutilizables o reciclables.

Por tanto, cuando el aparato ya no se utilice es importante entregarlo a un centro de eliminación especializado.

Desmontar la puerta es la mejor manera de asegurar que nadie pueda quedar encerrado dentro. intercambiador.

- El aparato no debe ser eliminado junto con los residuos urbanos ni con la chatarra.
- Debe evitarse de dañar el circuito frigorífico, sobretodo cerca del intercambiador.



RESPECTAR LAS NORMATIVAS LOCALES VIGENTES POR EL DESGUACE DE ESTE GÉNERO DE APARATOS.



## ■ Puesta en funcionamiento

### IMPORTANTE



**ANTES DE CONECTAR EL APARATO CERCIORARSE QUE LOS DATOS DE PLACA DE MATRÍCULA SEAN CONFORMES A AQUELLOS DE LA RED ELÉCTRICA. LA ETIQUETA MATRICULAR RECANTE LOS DATOS ELÉCTRICOS NECESARIOS A LA INSTALACIÓN ES POSICIONADO SOBRE LA CADERA INTERIOR DERECHA.**

Una alimentación eléctrica incorrecta puede provocar incendios, descarga eléctrica u accidente.

**LA INSTALACIÓN TIENE QUE SER EFECTUADA SEGÚN LAS INSTRUCCIONES INDICADAS A LA PRESENTE SECCIÓN POR PERSONAL PROFESIONALMENTE CALIFICADO.**

**CONECTAR A UNA EFICAZ INSTALACIÓN DE MISA A TIERRA COMO PREVISTO POR LAS VIGENTES NORMAS DE SEGURIDAD ELÉCTRICAS.**

Una misa a tierra defectuosa puede causar un cortocircuito o una descarga eléctrica en el caso de funcionamiento defectuoso.



**EL APARATO TIENE QUE ADEMÁS SER INCLUSO EN UN SISTEMA EQUIPOTENCIAL CUYA EFICIENCIA TIENE QUE SER AVERIGUADA SEGÚN LAS NORMAS EN VIGOR.**

**ES PROHIBIDO EL EMPLEO DE ADAPTADORES, TOMAS MÚLTIPLES O ALARGADORES.**

### ■ CONTROLES PRELIMINARES GENÉRICOS

- Averiguar que el plan de apoyo sea apto a soportar el peso del aparato y sea en llano.

Coloque el equipo a nivel. Si es necesario, regular la parte móvil de los pies de apoyo regulables hasta obtener un perfecto alineamiento; todas las patas tienen que apoyar sobre el suelo. Eventualmente utilizar un adecuado nivel de nivel. La desviación máxima aconsejada por el plan horizontal es de +/-0,5 grados.

El aparato provisto de ruedas no puede nivelarse; por tanto preste atención a que la superficie de apoyo sea plana y esté perfectamente nivelada.

Perjudica la estabilidad del aparato y puede causar su caída. El correcto funcionamiento de las puertas podría ser comprometido.

- Para evitar la posible formación de agua de condensación o hielo, se consulta dejar al menos 5 cm de espacio libre entre los aparatos. Y' indispensable que los modelos con unidad refrigerante a bordo tengan al menos 50 cm de espacio libre en frente(mesas), o sobre (armarios); No pongas el aparato cerca de fuentes de calor o en un lugar expuesto a la luz directa del sol; No impida que el aire circule libremente en el alojamiento de motor. No respetes estas normas puede provocar graves daños al circuito frigorífico y a los productos contenidos en el aparato.
- En el caso en que el aparato haya sido desplazada, es necesario esperar cierto tiempo antes de reponerlo en función. En particular si el manejo ha ocurrido en posición diferente de aquel de trabajo, hace falta esperar mínimo 2 horas.
- Quite el plástico de protección de las superficies externas y lave la parte interna con agua tibia y jabón neutro.
- Las llaves de cierre (si disponibles) no deben estar al alcance de la mano de los niños.

### ■ CONTROLES DE LA PARTE ELÉCTRICA Y PUESTA EN FUNCIONAMIENTO

- El valor del atención y de la frecuencia de alimentación debe corresponder con el indicado en la etiqueta de matrícula del equipo (punto 6 del párrafo " DATOS DE MATRÍCULA "). Una alimentación eléctrica incorrecta puede provocar incendios, descarga eléctrica u accidente.
- Instale antes de la toma un fusible de 16 A.
- Ponga el interruptor general donde se conectará la clavija del cable de alimentación en la posición OFF.



ESTE APARATO SE CONECTA A LA RED DE ALIMENTACIÓN UTILIZANDO EL ENCHUFE SUMINISTRADO INCLUIDO.

UNA VEZ QUE SE HA INSTALADO EL APARATO, EL ENCHUFE DEBE SER FÁCILMENTE ACCESIBLE

- Verifique la compatibilidad de la toma con la clavija del equipo. Si fuera necesario haga cambiar la toma con otro de tipo adecuado por parte del personal profesionalmente calificado. Este personal deberá verificar que la sección de los cables de la toma sea adecuada a la potencia absorbida por el equipo.
- Después de haber seguido con atención lo descrito arriba es posible arrancar el equipo:
- Pulsar la tecla "ON/STAND BY" del panel de control para encender el aparato.
- Ponga el botón "ON/STAND BY" del Panel de control en la posición ON. Transcurrido un minuto, el compresor arranca y la temperatura interior se ajusta al valor programado en fábrica.
- Si necesita cambiar los parámetros ajustados en fábrica, lea las instrucciones del Capítulo "Panel de control".



NO CARGUE EL APARATO HASTA QUE LA TEMPERATURA ALCANCE EL VALOR AJUSTADO

NO SUPERES NUNCA EL LÍMITE DE CARGA INDICADO POR LA ADECUADA ETIQUETA POSTA A EL INTERIOR DEL COMPARTIMENTO.

### ■ FUNCIONAMIENTO

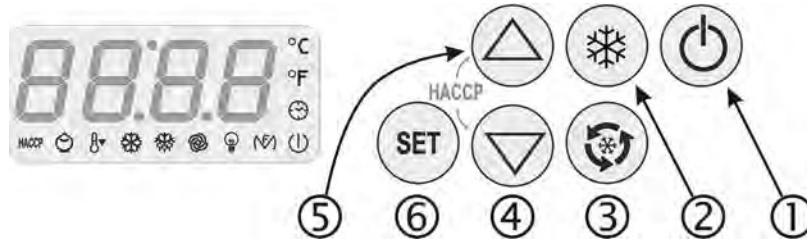
- La correcta conservación de los productos alimenticios es un factor importante en la producción higiénica y segura de alimentos; además, mejora la eficacia de las actividades gastronómicas e influye en el consumo de energía. Respete las indicaciones dadas a continuación para obtener el máximo rendimiento del aparato.
- Conserve siempre los productos sobre los estantes; no cargue productos en el fondo de la cámara.



LOS PRODUCTOS SE DEBEN CARGAR EN EL APARATO DE TAL MANERA QUE EL AIRE PUEDA CIRCULAR LIBREMENTE ENTRE ELLOS

DEJE ESPACIOS VACÍOS ENTRE LOS PRODUCTOS Y EVITE QUE TOQUEN LAS PAREDES.SI ES NECESARIO, AJUSTE LA DISTANCIA ENTRE LOS ESTANTES.

## ■ Panel de control



### ■ TECLADO Y FUNCIONES ASOCIADAS

- Si se mantienen presionados simultáneamente la tecla ③ y la tecla ① durante algunos segundos, el teclado se bloquea: El display visualiza "Loc".
- Si se presionan de nuevo, el teclado se desbloquea: El display visualiza "UnL".

#### ① ON/STAND BY

Al presionar el botón durante algunos segundos, el equipo se enciende/apaga.

#### ② DESCONGELACIÓN MANUAL

Al presionar el botón durante algunos segundos, se activa una descongelación manual si la temperatura del evaporador lo permite y si no está activa la función Overcooling.

Si el intervalo de descongelación se termina mientras se está realizando un Overcooling, la descongelación se activa cuando la función se concluye

#### ③ LUZ DE LA CELDA / FRÍO CONTINUO (si presente)

Cuando se presiona la tecla auxiliar, la luz de la celda se enciende/apaga de manera manual (solamente puertas vidrio).

**Si presente:** Pulsándolo durante al menos 4 s, se prepara el equipo para ser usado con alto nivel de funcionamiento durante la fase de producción y de carga.

El último tiempo configurado aparece en el display y se puede variar con las teclas UP y DOWN (con regulación cada 30 min). Pulsando de nuevo la tecla ③ durante un tiempo prolongado se pone en marcha el ciclo; se pone en funcionamiento una descongelación (si es necesaria) después de la cual el compresor funcionará de manera continua durante el tiempo configurado, sin realizar otras descongelaciones. El display visualiza de modo alternado el tiempo que falta y la temperatura de la celda.

Durante esta fase, presionando de nuevo el pulsador ③ se puede variar el tiempo configurado y se puede interrumpir el ciclo llevando el valor a "00:00" y volviendo a pulsar de forma prolongada la tecla ③.

#### ④ Tecla DOWN

Desplaza las voces del menú y disminuye los valores.

#### ⑤ Tecla UP

Desplaza las voces del menú y aumenta los valores.

Si se presiona durante algunos segundos activa la función para baja HR % (en el display aparece "rhL") o para alta HR % (en el display aparece "rhH") durante 10 s. Si la función no está disponible, al presionar el botón se visualiza la indicación "----".

#### ⑥ SET POINT

Permite acceder a la función de modificación del set point

### ■ PONER A SILENCIO ÉL ALARMA (si presente)

Pulsar brevemente una tecla cualquiera.

### ■ IMPOSTACIÓN DEL SET POINT

- Pulsar y conceder la tecla SET(⑥): el LED compresor relampagueará
- Pulsar y conceder la tecla SOBRE(⑤) o la tecla ABAJO(④) entrar 15 s.

- Pulsar y conceder la tecla SET(⑥) o no obres por 15 s; el LED compresor se apagará, después de ché el instrumento saldrá del procedimiento.



**NO EJECUTES NINGUNA MANUTENCIÓN CUANDO LA INSTRUMENTACIÓN ESTÁ EN ON O EN STAND BY.**

**DESCONECTARLO DE LA RED DE ALIMENTACIÓN ELÉCTRICA.**

### ■ INDICACIONES

LED	SIGNIFICADO
	<b>ENCENDIDO:</b> El compresor está encendido <b>INTERMITENTE:</b> Modificación del Setpoint de trabaja en curso Protección del compresor en curso
	<b>ENCENDIDO:</b> Descongelación en curso <b>INTERMITENTE:</b> Se ha solicitado la descongelación pero hay una protección del compresor en curso. Goteo en curso Calentamiento del fluido refrigerante en curso
	<b>ENCENDIDO:</b> El ventilador del evaporador está encendido <b>INTERMITENTE:</b> Parada ventilador del evaporador en curso
	<b>ENCENDIDO:</b> Luz de la celda encendida de manera manual <b>INTERMITENTE:</b> Luz de la celda encendida de manera automática
	<b>ENCENDIDO:</b> Las resistencias antiempañamiento se encenderán Salida auxiliar encendida manualmente Salida de alarma activada Las resistencias puerta se encenderán <b>INTERMITENTE:</b> Salida auxiliar encendida a distancia
	<b>ENCENDIDO:</b> Función Overcooling en curso
	<b>ENCENDIDO:</b> Alarma o error en curso
	<b>ENCENDIDO:</b> No se han visualizado todas las informaciones sobre las alarmas HACCP <b>INTERMITENTE:</b> Por lo menos una nueva alarma ha sido memorizada <b>APAGADO:</b> Se han visualizado todas las informaciones sobre las alarmas. La lista de las alarmas HACCP ha sido cancelada
	<b>ENCENDIDO:</b> Función Energy Saving en curso
	<b>ENCENDIDO:</b> Hay que realizar el mantenimiento del compresor
	<b>ENCENDIDO:</b> La unidad de medida de las temperaturas es el grado Celsius
	<b>ENCENDIDO:</b> La unidad de medida de las temperaturas es el grado Fahrenheit
	<b>ENCENDIDO:</b> El instrumento está en stand-by

### ■ INDICACIONES

CÓD	SIGNIFICADO
rhL	Se ha seleccionado la función baja HR %
rhH	Se ha seleccionado la función para alta HR %
Loc	El teclado está bloqueado / El Setpoint de trabajo está bloqueado
----	El funcionamiento solicitado no está disponible

## ■ VISUALIZACIONES

### TEMPERATURA DE LA CELDA

Visible con el instrumento encendido durante el funcionamiento normal.

### TEMPERATURA DEL EVAPORADOR (con sonda evaporador presente)

Presione la tecla DOWN (④) durante algunos segundos y luego presione la tecla UP (⑤) o DOWN (④) para seleccionar "Pb2".

Al presionar la tecla SET (⑥) en el display aparece la temperatura del evaporador. Presione de nuevo SET (⑥) o no opere para regresar a la visualización de la temperatura de la celda.

### TEMPERATURA DEL CONDENSADOR (con sonda condensador presente)

Presione la tecla DOWN (④) durante algunos segundos y luego presione la tecla UP (⑤) o DOWN (④) para seleccionar "Pb3".

Al presionar la tecla SET (⑥) en el display aparece la temperatura del condensador. Presione de nuevo SET (⑥) o no opere para regresar a la visualización de la temperatura de la celda.

### CUENTA DE LAS HORAS DE FUNCIONAMIENTO DEL COMPRESOR (versión "HACCP EXTENDED")

Presione la tecla DOWN (④) durante algunos segundos y luego presione la tecla UP (⑤) o DOWN (④) para seleccionar "CH".

Al presionar la tecla SET (⑥) en el display aparecen las horas de funcionamiento del compresor. Presione de nuevo SET (⑥) o no opere para regresar a la visualización de la temperatura de la celda.

## ■ CONFIGURACIÓN DE LA FECHA Y DE LA HORA (SI ESTÁ PRESENTE)

■ Presione la tecla DOWN (④) durante algunos segundos y luego presione la tecla UP (⑤) o DOWN (④) para seleccionar "rtc".

■ Al presionar la tecla SET (⑥) en el display aparecen en secuencia: "yy", "nn", "dd", "hh" y "mm" seguidos por 2 números que corresponden respectivamente al año, al mes, al día, a la hora y a los minutos, valores que se regulan a través de las teclas UP (⑤) o DOWN (④).

■ Para salir del procedimiento presione ON/STAND-BY(①).

## ■ FUNCIONES HACCP

■ El instrumento puede memorizar hasta 3 alarmas (versión "HACCP BASIC") o 9 alarmas (versión "HACCP EXTENDED").

■ El instrumento proporciona las siguientes informaciones:

- el valor crítico.
- la fecha y la hora de la alarma (versión "HACCP EXTENDED")
- la duración de la alarma (de 1 min a 99 h y 59 min, parcial si la alarma está en curso)

CODE	TIPO DE ALARMA	VALOR CRÍTICO
AL	Alarma temperatura de mínima	La mínima temperatura de la celda durante una alarma de este tipo
AH	Alarma temperatura de máxima	La máxima temperatura de la celda durante una alarma de este tipo
Id	Alarma entrada micro puerta	La máxima temperatura de la celda durante una alarma de este tipo
PF	Alarma de interrupción de la alimentación	La temperatura de la celda cuando se restablece la alimentación (par. AA)

■ VERSIÓN "HACCP BASIC": El instrumento actualiza las informaciones si el nuevo acontecimiento es más crítico de aquel en memoria o a condición que las informaciones ya han sido visualizadas.

■ VERSIÓN "HACCP EXTENDED": Si la duración de la alarma de interrupción de la alimentación es tal que provoca el error "PF", el instrumento no proporciona ninguna información sobre la duración de la alarma.

■ Cuando desaparece la causa de la alarma, el display restablece el funcionamiento normal, excepto para la alarma de interrupción de la alimentación que necesita el restablecimiento de la visualización normal manualmente.

■ El Led HACCP suministra informaciones sobre el estado de la memoria de las alarmas HACCP: Si está encendido, no se han visualizado todas las informaciones sobre las alarmas HACCP; si parpadea, el instrumento ha memorizado por lo menos una nueva alarma HACCP.

## ■ VISUALIZACIÓN DE LAS ALARMAS HACCP

■ Para acceder al procedimiento:

- presione la tecla DOWN (④) por 2 s: El display visualiza la primera label.  
- presione y suelte la tecla UP (⑤) o DOWN (④) la tecla para seleccionar "LS".

- presione y suelte la tecla SET (⑥): El display visualiza uno de los códigos "AL", "AH", "Id".

■ Para seleccionar una alarma:

- presione y suelte la tecla UP (⑤) o DOWN (④) la tecla (por ej. para seleccionar "AH").

■ Para visualizar las informaciones sobre la alarma:

- presione y suelte la tecla SET (⑥): El Led HACCP deja de parpadear y el display visualiza en secuencia las siguientes informaciones ("#": solamente versión "HACCP EXTENDED"):

INFO	SIGNIFICADO
8,0	el valor crítico es de 8,0 °C/8 °F
StA #	el display visualizará la fecha y la hora de intervención de la alarma
y07 #	la alarma intervino en el 2007 (continúa...)
n03 #	la alarma intervino en el mes de marzo (continúa...)
d26 #	la alarma intervino el 26 de marzo de 2007
h16 #	la alarma intervino a las 16 (continúa...)
n30 #	la alarma intervino a las 16 y 30
Dur	el display visualizará la duración de la alarma
h01	la alarma duró 1 h (continúa...)
n15	la alarma duró 1 h y 15 min
AH3	la alarma seleccionada

■ Para salir de la secuencia de informaciones:

- Presione y suelte la tecla ON/STAND-BY(①): el display visualiza la alarma seleccionada (en el ejemplo "AH3").

■ Para salir del procedimiento:

- salga de la secuencia de informaciones

- presione o suelte la tecla UP (⑤) o la tecla DOWN (④) hasta que el display visualice la temperatura de la celda o no opere durante 60 s.

■ Si el instrumento no tiene ninguna alarma en la memoria, la label "LS" no se visualiza.

## ■ BORRADO DE LA LISTA DE ALARMAS HACCP

- Mantenga presionada la tecla DOWN (④) durante 2 s: El display visualiza la primera label disponible.

- Presione la tecla UP (⑤) o DOWN (④) para seleccionar "rLS".

- Presione la tecla SET (⑥).

- Presione la tecla UP (⑤) o DOWN (④) antes de 15 s para configurar "149".

- Presione la tecla SET (⑥) o no opere durante 15 s: El display visualiza "----" intermitente durante algunos segundos y el Led HACCP se apaga. Luego el instrumento sale del procedimiento.

■ Si el instrumento no tiene ninguna alarma en la memoria, la label "rLS" no se visualiza

## ■ Parámetros y búsqueda de averías

### ■ CONFIGURACIÓN DE LOS PARÁMETROS

#### Para acceder al procedimiento:

- pulsar UP (Ⓢ) y DOWN (Ⓣ) durante 4 s: la pantalla mostrará "PA"
- pulsar SET (Ⓢ)
- pulsar UP (Ⓢ) o DOWN (Ⓣ) en 15 s para fijar "-19"
- pulsar SET (Ⓢ) o no operar durante 15 s
- pulsar UP (Ⓢ) y DOWN (Ⓣ) durante 4 s: la pantalla mostrará "SP".

#### Para seleccionar un parámetro:

- pulsar UP (Ⓢ) o DOWN (Ⓣ)

#### Para modificar un parámetro:

- pulsar SET (Ⓢ)
- pulsar UP (Ⓢ) o DOWN (Ⓣ) en 15 s
- pulsar SET (Ⓢ) o no operar durante 15 s.

#### Para salir del procedimiento:

- pulsar UP (Ⓢ) y DOWN (Ⓣ) durante 4 s o no operar durante 60 s.

**Interrumpir la alimentación del instrumento después de la modificación de los parámetros.**

### ■ ALARMAS Y ERRORES

CODE	TIPO DE ALARMA
Soluciones <i>Consecuencias</i>	
<b>iA</b>	<b>ALARMA DE ENTRADA MULTIFUNCIÓN</b>
Compruebe las causas de la activación de la entrada / Vea los parámetros i5 e i6 <i>Efecto establecido por el parámetro i5 / Salida alarma activada con u1=3</i>	
<b>iSd</b>	<b>ALARMA DE PRESOSTATO</b>
Compruebe las causas de la activación de la entrada / Vea los parámetros i5, i6, i7, i8 e i9 / Apague y vuelva a encender el instrumento o interrumpa la alimentación <i>Los reguladores se apagan / Salida alarma activada con u1=3</i>	
<b>COH</b>	<b>ALARMA CONDENSADOR SOBRECALENTADO</b>
Compruebe la temperatura del condensador / Vea el parámetro C6 <i>Salida alarma activada con u1=3</i>	
<b>CSd</b>	<b>ALARMA DE COMPRESOR BLOQUEADO</b>
Compruebe la temperatura del condensador / Vea el parámetro C7 / Apague y vuelva a encender el instrumento: Si con el reencendido la temperatura del condensador todavía es > que el par. C7, hay que quitar la alimentación y limpiar el condensador <i>Compresor y ventilador del evaporador se apagan / Salida alarma activada con u1=3</i>	
<b>Pr1</b>	<b>ERROR Sonda CELDA</b>
Compruebe el tipo de sonda / Controle la integridad de la sonda / Controle la conexión instrumento-sonda / Compruebe la temperatura de la celda <i>Compresor encendido o apagado durante 10 min / La descongelación no se activa nunca / Salida alarma activada con u1=3</i>	
<b>Pr2</b>	<b>ERROR Sonda EVAPORADOR</b>
Compruebe el tipo de sonda / Controle la integridad de la sonda / Controle la conexión instrumento-sonda / Controle la temperatura de la sonda evaporador <i>Descongelación activa durante 30 m con P3=1 / Descongelación a intervalos con P3=1 y d8=2 / El ventilador del evaporador funciona paralelamente al compresor con F0=3 o 4 / Salida alarma activada con u1=3</i>	
<b>Pr3</b>	<b>ERROR Sonda CONDENSADOR</b>
Compruebe el tipo de sonda / Controle la integridad de la sonda / Controle la conexión instrumento-sonda / Controle la temperatura de la sonda condensador <i>La alarma condensador sobrecalentado ("COH") no se activa nunca / La alarma compresor bloqueado ("CSd") no se activa nunca / Salida alarma activada con u1=3</i>	
<b>rtc</b>	<b>ERROR RELOJ</b>
Configure de nuevo la fecha y la hora. <i>Descongelación a intervalos con d8=3 / El HACCP no da informaciones sobre la fecha y la hora de intervención de la alarma / La función Energy Saving no está disponible en tiempo real / Salida alarma activada con u1=3</i>	

Después de resolver la causa que ha determinado la alarma, el instrumento restablece el funcionamiento normal excepto para las siguientes alarmas, para las que es necesario:

- "PF" presione cualquier tecla
- "iSd" apague el instrumento o interrumpa la alimentación
- "CSd" apague el instrumento o interrumpa la alimentación

### ■ AVERÍAS

En caso de desperfecto del aparato, compruebe la lista proporcionada a continuación para averiguar si puede restablecer su funcionamiento sin que tenga que intervenir la asistencia técnica; esta lista no cubre todas las situaciones que pueden averiguarse.

■ **La intervención de un aparato de seguridad indica anomalía de funcionamiento; antes de restablecer averiguar y eliminar la causa.**

■ Si el defecto persiste diríjase a la asistencia técnica acordándose de señalar la naturaleza del defecto, el código y el número de matrícula del aparato que él puede notar en la etiqueta técnica.

PROBLEMA	
	Causa posible
	Intervención
<b>1</b>	<b>EL APARATO NO PARTE</b>
1.1	El aparato no está conectado correctamente a la alimentación
	<i>Controlar que la espina sea insertada correctamente en la toma de la corriente</i>
<b>2</b>	<b>EL COMPRESOR PARA RARAMENTE</b>
2.1	La temperatura del local es demasiado elevada
	<i>Ventile adecuadamente el local</i>
2.2	El condensador del frigorífico está sucio
	<i>Compruébalo periódicamente y límpielo cuidadosamente</i>
2.3	La carga de refrigerante es insuficiente
	<i>Diríjase a un centro de asistencia técnica competente para detectar y reparar las fugas y para realizar la recarga</i>
2.4	Las juntas de la(s) puerta(s) no aseguran la estanqueidad
	<i>Diríjase a un centro de asistencia técnica competente para efectuar la sustitución</i>
2.5	El evaporador se llena de hielo
	<i>No introduzca alimentos calientes o con un alto tenor de agua y, si es necesario, realice un desescarche manual</i>
2.6	Desperfecto del(de los) motoventilador( es)
	<i>Diríjase a un centro de asistencia técnica competente para efectuar la sustitución</i>
<b>3</b>	<b>DERRAME DE LA BANDEJA DE EVAPORACIÓN DE CONDENSADOS</b>
3.1	Frecuente introducción de productos alimenticios calientes y con alto tenor de agua.
	<i>No introduzca productos alimenticios calientes o con alto tenor de agua</i>
3.2	Las puertas y/o los cajones se abren con demasiada frecuencia
	<i>Preste mayor atención a las condiciones de empleo del aparato</i>
<b>4</b>	<b>TEMPERATURA DEL COMPARTIMIENTO INSUFICIENTE</b>
4.1	El condensador del frigorífico está sucio
	<i>Compruébalo periódicamente y límpielo cuidadosamente</i>
4.2	Escasa aireación de la zona adyacente al vano técnico
	<i>Sacar eventuales obstrucciones.</i>
4.3	Entrada de aire caliente en el compartimiento
	<i>Controlar que la puerta cierre correctamente y que la guarnición sea funcional. Si no es posible restablecer la función, dirigir a un centro asistencia competente por la eventual sustitución y regulación</i>
4.4	El evaporador se llena de hielo
	<i>Realice un desescarche manual</i>



## ■ Limpieza y mantenimiento

**LOS SIGUIENTES AVISOS SON ESPECIALMENTE IMPORTANTES EN CASO QUE EL FLUIDO REFRIGERANTE UTILIZADO SEA DE TIPO R290 (véase la referencia 13 en la página 2 de este manual y la chapa técnica del aparato)**



MANTENER LIBRES DE OBSTRUCCIONES LAS APERTURAS DE VENTILACIÓN EN EL ENVOLTORIO DEL APARATO O EN LA ESTRUCTURA DE ENCASTRE.

NO USAR DISPOSITIVOS MECÁNICOS U OTROS MEDIOS PARA ACELERAR EL PROCESO DE DESESCARCHE DIFERENTES DE LOS RECOMENDADOS POR EL FABRICANTE.

NO DAÑAR EL CIRCUITO DEL REFRIGERANTE

NO USAR APARATOS ELÉCTRICOS EN EL INTERIOR DE LOS COMPARTIMENTOS PARA LA CONSERVACIÓN DE LAS COMIDAS CONGELADAS DEL APARATO, SI ÉSTOS NO SON DEL TIPO RECOMENDADO POR EL FABRICANTE

- Esta sección es dedicada al utilizador y es extremadamente importante para el regular funcionamiento en el tiempo del aparato.
- Pocas operaciones ejecutadas con escrúpulo y periódicamente pueden evitar de deber recurrir a intervenciones de personal especializado.
- Las operaciones de efectuar no solicitan conocimientos técnicos particulares

### IMPORTANTE



ANTES DE DAR CURSO A CUALQUIERA OPERACIÓN DE MANUTENCIÓN O LIMPIEZA DEL APARATO DESCONECTARLO DE LA RED DE ALIMENTACIÓN ELÉCTRICA.

NO LAVES EL APARATO CON CHORROS DE AGUA DIRIGIDOS Y A ALTA PRESIÓN.

EVITAR DIRIGIR EL AGUA SOBRE LAS PARTES ELÉCTRICAS.

### ■ LIMPIEZA

- La necesidad de limpiar el aparato depende en gran medida de la frecuencia de uso. Observe el uso y programe las operaciones de limpieza necesarias.
- Para limpiar el interior y el exterior, utilice un detergente neutro o poco alcalino.  
Por la limpieza de las juntas utilizar un producto neutral a base agua, comúnmente usado en ámbito doméstico.  
**PARA EJECUTAR LA LIMPIEZA, NO REMUEVAS LAS JUNTAS**  
Le recomendamos que limpie de vez en cuando el interior con un desinfectante. Las impurezas se pueden quitar con un paño húmedo. Quitando los estantes la limpieza del interior es más fácil.
- No permita que el agua entre en contacto con los componentes eléctricos. Está prohibido utilizar un chorro de agua a presión para limpiar el aparato.
- Nunca utilice objetos metálicos para limpiar el aparato porque se puede estropear.
- Para efectuar una limpieza interior más esmerada es necesario remover las guías de soporte de las parrillas

### IMPORTANTE

LOS APARATOS SON REALIZADOS DE ACERO INOXIDABLE RESISTENTE A LA CORROSIÓN CONSIGUIENTE DE NORMAL EMPLEO  
EVITAR EL EMPLEO DE SUSTANCIAS DETERGENTE O SISTEMAS DE LIMPIEZA AGRESIVA QUE PUEDAN COMPROMETER DE ELLO LA INTEGRIDAD.

## ■ MANUTENCIÓN DE RUTINA

### BATERÍA DE CONDENSACIÓN

Es importante que la batería esté capaz de ofrecer el máximo cambio térmico.

- Remover con el auxilio de una aspiradora, de un pincel o de un cepillo no metálico todas las impurezas tipo papel y polvos que se puedan depositar sobre la superficie de la batería evitando esmeradamente doblar o perjudicar las aletas o las palas de ventiladores. En caso de presencia de panel filtrante, removerlo y limpiarlo. Al término reposicionarlo en la posición inicial. Si perjudicado o demasiado atascado, solicitar el repuesto y reemplazarlo. No respetes estas normas puede provocar graves daños al circuito frigorífico y a los productos contenidos en el aparato.

### JUNTAS DE LA(S) PUERTA(S)

Averiguar la integridad de las guarniciones de la puerta: es de fundamental importancia que sea garantizada una perfecta finca.

### CABLE DE ALIMENTACIÓN

- Compruebe que el cable de alimentación que conecta el aparato con la toma de corriente no presente ningún daño que puede comprometer su aislamiento. Si el cable de alimentación está dañado, éste debe ser sustituido por el fabricante o su servicio de asistencia técnica o en cualquier caso por una persona con calificación similar .  
Un cable eléctrico daneggiato podría ser causa de incendio, descarga eléctrica u accidente.

## ■ PERÍODOS DE INACTIVIDAD

Adopte las siguientes precauciones durante los períodos en que el aparato permanezca inactivo:

Desenchufe el aparato de la toma de corriente;

Quite todos los alimentos del aparato; Desescarche y limpie el interior;

Deje la puerta entreabierta para facilitar la circulación de aire en el interior de manera que no se formen olores desagradables.

Almacene el aparato de tal manera que nadie pueda quedar encerrado dentro de él.

## ■ SUSTITUCIÓN DE LA LÁMPARA [SI ESTÁ PRESENTE]

Para sustituir la lámpara, efectuar las siguientes operaciones (el tipo de la lámpara se indica en una etiqueta adhesiva):

- Apagar el aparato y desenchufar la toma de alimentación.
- Abrir la puerta y quitar el vidrio de protección de la lámpara.
- Desenroscar la lámpara situada en el interior del cuadro de mandos y sustituirla por otra nueva de igual voltaje.
- Colocar el vidrio de protección.

## ■ MÁXIMA CARGA DE LAS REJILLAS INCLUIDAS



LAS REJILLAS INCLUIDAS SON ADECUADAS PARA SOPORTAR UNA CARGA MÁXIMA DE 50 KG CADA UNA.

LA CARGA DEBE DISTRIBUIRSE DE MANERA UNIFORME EN LA REJILLA Y SER COLOCADA DE MANERA QUE NO OBSTRUYA LA VENTILACIÓN EN EL APARATO.

## ■ Functionele beschrijving, ontvangst en ontmanteling

### ■ TOEGESTAAN GEBRUIK

- De apparaten zijn ontworpen voor installatie binnen en mogen uitsluitend gebruikt worden voor het bewaren van voeding en dranken
- De bewaarmodellen (lage temperatuur) werden uitsluitend ontworpen voor de bewaring van voringevroren producten.
- Het apparaat is niet bestemd om gebruikt te worden door mensen (met inbegrip van kinderen) met beperkte geestelijke of motorische bekwaamheden, of met gebrek aan ervaring en kennis, tenzij zij onder het toezicht staan van of instructies krijgen over het gebruik door iemand die verantwoordelijk is voor hun veiligheid
- Kinderen moeten onder toezicht staan om er zeker van te zijn dat ze niet met het apparaat spelen
- Plaats nooit warme vloeistoffen of voeding in het toestel, en vul de recipiënten met deksel nooit tot helemaal bovenaan.
- Plaats nooit koolzuurhoudende dranken in het compartiment voor lage temperatuur:  
Ze kunnen ontploffen.
- In alle toestellen zijn er oppervlakken die bedekt raken met rijp. Naargelang het model, kan dit rijp automatisch verwijderd worden (automatisch ontdooien) ofwel manueel. Probeer nooit het rijp weg te nemen met een puntig voorwerp. Hierdoor kan het toestel onherroepelijk beschadigd worden.
- De fabrikant is vrijgesteld van iedere verantwoordelijkheid met ongeldig worden van de waarborg in geval van elektrische en/of mechanische wijzigingen.

### ■ CONTROLE BIJ ONTVANGST

Controleer bij ontvangst of het apparaat geen beschadiging heeft ondervonden tijdens het transport en of deze compleet is met alle onderdelen zoals bij de bestelling.

- Nnoteer onmiddellijk elke vastgestelde, zichtbare schade op het transportbegeleidend document, met het opschrift: "ONTVANGST ONDER VOORBEHOUD WEGENS ZICHTBARE SCHADE AAN VERPAKKING".



ALLE HIERNA VERMELDE HANDELINGEN MOETEN UITGEVOERD WORDEN CONFORM DE GELDENDE VEILIGHEIDSNORMEN, ZOWEL WAT BETREFT HET GEBRUIKTE GEREEDSCHAP ALS WAT BETREFT DE WERKWIJZEN.



VOORALEER VERPLAATSINGEN UIT TE VOEREN, VERZEKER U ERVAN DAT DE HEFCAPACITEIT AANGEPAST IS AAN HET GEWICHT VAN HET APPARAAT IN KWESTIE.

### ■ VERPLAATSING

VERPLAATSING met HEFTRUCK of GELIJKAARDIG

Steek de vorken vooraan of achteraan in het voetstuk in hout waarop het apparaat staat.

Ga verder met het opheffen en verzeker u ervan dat het apparaat in evenwicht is.



TIJDENS DE VERPLAATSING NIET ONDERSTEBOVEN KEREN OF KANTELEN.

INDIEN HET ONMOGELIJK IS OM HET TRANSPORT UIT TE VOEREN IN EEN ANDERE STAND DAN DE WERKSTAND,



MOET MEN MINSTENS 2 UUR WACHTEN VOORALEER HET TOESTEL IN WERKING TE STELLEN.

OP EEN DROGE PLAATS HOUDEN; ABSOLUUT VERMIJDEN OM OP HET APPARAAT ANDERE VOORWERPEN TE PLAATSEN.

### ■ WEGNEMEN VERPAKKING

Neem de bescherming weg zonder gereedschappen te gebruiken: deze kunnen het oppervlak van het toestel beschadigen.

Til het toestel op om het van zijn voetstuk weg te nemen en zet het op de grond ter hoogte van het voorbestemde plaatsingspunt.

Houd het verpakkingsmateriaal buiten bereik van kinderen, daar deze een bron van gevaar voor hen kan vormen.

De verpakkingsproducten verwijderen door ze naar de inzamelcentra of gespecialiseerde recyclagecentra te brengen (houdt u aan de geldende normen).

- Controleer of het registratienummer overeenkomt met het nummer vermeld in het begeleidende document.

### ■ RESIDUELE RISICO'S

- De toestellen werden ontworpen en uitgevoerd om de veiligheid en de gezondheid van de gebruiker te verzekeren, en vertonen geen gevaarlijke scherpe randen of oppervlakken, of uitstekende delen. Hun stabiliteit is verzekerd, ook als de deuren open staan, toch is het verboden aan de deuren te hangen.
- Bij toestellen met laden mag men niet meer dan één lade tegelijk openen, en niet op de open lade leunen of gaan neerzitten om te vermijden dat het toestel omkantelt of beschadigd raakt.
- N.B.: Bij toestellen met glazen deuren mag men niet meer dan één mand of één rooster tegelijk uittrekken, om de stabiliteit van het toestel niet in gevaar te brengen.
- Wanneer de toestellen wieltes hebben, moet men opletten om tijdens het verplaatsen het toestel niet te fel vooruit te duwen om te vermijden dat het omvalt, let ook op eventuele oneffenheden in het loopoppervlak waarover men verplaatst.
- BLOKKEER DE WIELTJES ALTIJD MET DE SPECIAAL VOORZIENE STOPS.

### ■ EMISSIE VAN LUCHTGELUID

- De gewogen geluidsemissiedruk A op de werkplaatsen is NIET hoger dan 70 dB(A).

### ■ ONTMANTELING

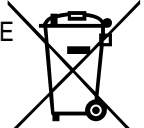
- Onze toestellen bevatten koelvloeistof, volgens de Europese Reglementering E.G. n. 2037/2000 van 29 juni 2000, beschreven in het registratielabel; bovendien bestaat het toestel uit herbruikbare of recycleerbare onderdelen en materialen. Daarom is het belangrijk dat op het einde van het gebruik van het toestel deze verstuurd wordt naar ecologische centra voor afvalverwerking.

De deur wegnemen is de beste manier om ervoor te zorgen dat niemand binnenin opgesloten zou kunnen blijven.

- Het toestel mag niet samen met huishoudelijk afval en schrootafval worden verwijderd.
- Beschadiging van het koelcircuit moet vermeden worden.



RESPECTEER DE PLAATSELIJK GELDENDE NORMEN VOOR DE ONTMANTELING VAN DIT SOORT APPARATEN.



## ■ In werking stellen

### BELANGRIJK



**VOORALEER HET APPARAAT AAN TE SLUITEN, VERZEKER U ERVAN DAT DE GEGEVENS OP HET LABEL IN OVEREENSTEMING ZIJN MET DEZE VAN HET ELEKTRISCHE NET. HET REGISTRATIELABEL MET VERMELDING VAN DE ELEKTRISCHE GEGEVENS NOODZAKELIJK VOOR DE INSTALLATIE BEVINDT ZICH TER HOOGTE VAN DE RECHTERFLANK VAN DE CEL.**

Een elektrische voeding die niet correct is, kan oorzaak zijn van brand, elektrische schokken of ongevallen.

**DE INSTALLATIE MOET DOOR PROFESSIONEEL GEKWALIFICEERD PERSONEEL UITGEVOERD WORDEN VOLGENS DE INSTRUCTIES VERMELD IN DIT HOOFDSTUK.**

**OP EEN EFFICIËNTE INSTALLATIE VOOR AARDING AANSLUITEN ZOALS VOORZIEN DOOR DE GELDENDE ELEKTRISCHE VEILIGHEIDSNORMEN.**

Een slecht werkende aarding kan oorzaak zijn van kortsluiting of elektrische schokken in geval van een slechte werking.



**HET APPARAAT MOET BOVENDIEN OPGENOMEN ZIJN IN EEN EQUIPOTENTIALAAL SYSTEEM WAARVAN DE EFFICIËNTIE GECONTROLEERD MOET WORDEN VOLGENS DE GELDENDE NORMEN. HET GEBRUIK VAN ADAPTERS, MULTISTEKKERS, EN/OF VERLENGKABELS IS VERBODEN.**

### ■ ALGEMENE CONTROLES VOORAF

- Controleer of het steunoppervlak aangepast is om het gewicht van het apparaat te dragen en vlak is. Plaats het apparaat waterpas. Gebruik eventueel de beweegbare delen van de regelbare voetjes teneinde een perfecte uitlijning te bekomen. Alle pootjes moeten op de vloer steunen. Gebruik hiervoor eventueel een waterpas. De aanbevolen maximale afwijking van het horizontale vlak is +/-0,5 graden.

Een toestel dat met wieltjes is uitgerust, kan niet waterpas worden gezet; daarom moet men erop letten dat het steunvlak altijd perfect horizontaal en effen is.

Dit zorgt anders voor instabiliteit van het apparaat en kan vallen veroorzaken. De deuren kunnen mogelijk niet goed geopend worden.

- Om de mogelijke vorming van condens of ijs te voorkomen, is het aanbevolen om minstens 5 cm vrije ruimte tussen de toestellen te laten. Het is noodzakelijk dat de modellen met condensatie-eenheid aan boord minstens 50 cm vrije ruimte vooraan (tafelmodel) of bovenaan (kastmodel) hebben. Plaats het apparaat niet in de buurt van warmtebronnen of in een plaats blootgesteld aan rechtstreeks zonlicht. Belemmer de vrije circulatie van de lucht niet in de machinekamer.

Wanneer deze deze normen niet worden nageleefd, kan dit ernstige schade aan het koelkastcircuit of aan de producten in het apparaat veroorzaken.

- Wanneer het toestel verplaatst werd, is het noodzakelijk om een zekere tijd te wachten vooraleer weer in werking te stellen. Vooral wanneer de verplaatsing werd uitgevoerd met het toestel in een andere stand dan de werkstand moet men ten minste 2 uur wachten.
- Verwijder het plastic ter bescherming van de externe oppervlakken. Was de binnenkant met lauw water en neutrale zeep.
- De veiligheidssleutels (indien beschikbaar) mogen niet binnen het bereik van kinderen zijn.

### ■ VOORAFGAANDE CONTROLES ELEKTRISCHE DEEL EN START-UP

- De waarde van de spanning en van de netfrequentie moet overeenkomen met deze vermeld op het registratielabel van het toestel (punt 6 van de paragraaf "Registratiegegevens"). Een onjuiste stroomvoorziening kan oorzaak worden van brand, elektrische schokken of ongevallen.
- Instaleer vóór de stekker een zekering van 16A.
- Zet de algemene schakelaar waaraan de stekker van de voedingskabel aangesloten zal worden op OFF.

DIT APPARAAT MOET OP HET VOEDINGSNET AANGESLOTEN WORDEN MET DE BIJGELEVERDE STEKKER.



NA INSTALLATIE VAN HET APPARAAT MOET DE STEKKER GEMAKKELIJK TOEGANKELIJK BLIJVEN

- Controleer de compatibiliteit van het stopcontact met de stekker van het apparaat. Indien nodig het stopcontact door professioneel gekwalificeerd personeel laten vervangen door een ander, aangepast type. Laat ook controleren of de doorsnede van de kabels van het stopcontact geschikt zijn voor het door het toestel opgenomen vermogen.
- Na het minutieus uitvoeren van wat hierboven uitgelegd is kan men het apparaat aanzetten :
- Draai de algemene schakelaar waarop de stekker van de voedingskabel aangesloten is naar de stand ON.
- Druk op de knop "ON/STAND BY" op het bedieningspaneel om het toestel in te schakelen. Na 1 minuut start de compressor en de interne temperatuur wordt aangepast aan de door de fabriek ingestelde waarde.
- Raadpleeg het hoofdstuk BEDIENINGSPANEEL voor de werkwijzen met betrekking tot het wijzigen van de vooraf ingestelde fabriekswaarden van de SET POINT.



VUL HET TOESTEL NIET TOTDAT DE TEMPERATUUR DE VOORAF INGESTELDE WAARDE HEEFT BEREIKT.

OVERSCHRIJDT NOOIT DE BELASTINGSLIMIETEN VERMELD OP HET SPECIALE ETIKET BINNENIN DE CEL.

### ■ WERKING

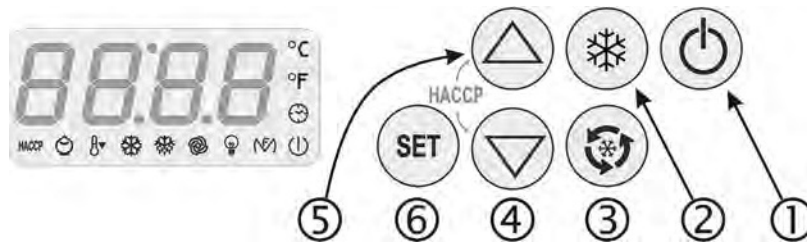
- De correcte bewaring van de levensmiddelen is een belangrijke factor voor de hygiënische en veilige bereiding van voeding en verbetert bovendien de efficiëntie van de gastronomische activiteiten, en beïnvloedt het energieverbruik. Respecteer de hieronder vermelde instructies om een maximaal rendement van het toestel te verkrijgen.
- De producten moeten altijd bewaard worden op de schappen; de producten niet op de bodem van de cel leggen.



DE PRODUCTEN MOETEN IN HET TOESTEL GEKLASSEERD WORDEN ZODAT ER EEN VRIJE LUCHTSTROOM BLIJFT.

LAAT VOLDOENDE VRIJE RUIMTE TUSSEN DE PRODUCTEN EN RANGSCHIK ZE NIET TEGEN DE WANDEN. INDIEN NODIG DE AFSTAND TUSSEN DE SCHAAPPEN AANPASSEN.

## ■ Bedieningspaneel



### ■ TOETSENBOORD EN BIJHORENDE FUNCTIES

- Door tegelijk de toets (5) en de toets (1) enkele seconden lang ingedrukt te houden, wordt het toetsenbord geblokkeerd: het display toont "Loc".
- Door de toets opnieuw in te drukken wordt het toetsenbord gedeblokkeerd: het display toont "UnL"

#### (1) ON/STAND BY

Door enkele seconden de toets in te drukken, gaat het toestel aan/uit.

#### (3) MANUEEL ONTDOOIEN

Door de toets enkele seconden in te drukken wordt het manueel ontdooien geactiveerd als de temperatuur van de verdamper dit toelaat, op voorwaarde dat de functie Overcooling niet actief is. Als het interval voor ontdooien vervalst terwijl een Overcooling bezig is, wordt de ontdooiing geactiveerd na voltooiing van deze functie

#### (7) LICHT CEL / CONTINU KOUD (indien aanwezig)

Door de hulptoets in te drukken gaat het licht in de cel manueel aan/uit.

**Indien aanwezig:** Door de toets minstens 4 sec. in te drukken, wordt de apparatuur voor-bereid op intens gebruik tijdens de productie- en laadfase van de koelkast. De laatst ingestelde tijd verschijnt op de display en kan worden gewijzigd via de UP en DOWN toetsen (afstelling om de 30 min.).

Door opnieuw langdurig op de toets (3) te drukken, start de cyclus; een ontdooiing wordt (indien nodig) gestart en nadien zal de compressor tijdens de ingestelde tijd continu werken zonder nog andere ontdooiingen uit te voeren. De display geeft afwisselend de ontbrekende tijd en de celtemperatuur weer. Tijdens deze fase kan via de toets (3) de ingestelde tijd worden gewijzigd of de cyclus worden onderbroken door de waarde op "00:00" in te stellen en vervolgens weer langdurig op de toets (3) te drukken.

#### (4) toets DOWN

Doorloopt de trefwoorden van het menu en vermindert de waarden.

#### (RH%) toets UP

Indien enkele seconden ingedrukt, wordt de functie voor lage UR% (op het display verschijnt "rhL") of voor hoge UR% (op het display verschijnt "rhH") gedurende 10 sec geactiveerd.

Als de functie niet beschikbaar is, veroorzaakt een druk op de toets de weergave van de aanduiding "----".

#### (set) SET POINT

Hiermee kan men naar de functie gaan voor wijzigen van het setpoint.

### ■ STILLEGGEN BUZZER (indien aanwezig)

Druk kort op een willekeurige toets.

### ■ INSTELLING VAN SET POINT

- de toets SET(6) indrukken en loslaten: het LED compr. zal knipperen:
- de toets UP (5) indrukken en loslaten of de toets DOWN (4) binnen 15 s
- de toets SET (6) indrukken en loslaten of niets doen gedurende 15 s het LED compr. zal uitgaan, waarna het instrument de procedure verlaat.



VOER GEEN ONDERHOUD UIT WANNEER HET TOESTEL OP ON STAAT OF IN STAND-BY. HAAL DE STEKKER UIT HET STOPCONTACT.

### ■ SIGNALERINGEN

LED	BETEKENIS
	<b>AAN:</b> De compressor is aan <b>KNIPPEREND:</b> Wijzigt de Setpoint van de bewerking in uitvoering Bescherming van de compressor bezig
	<b>AAN:</b> Ontdooiing bezig <b>KNIPPEREND:</b> Aanvraag om te ontdooien, maar met een bescherming van de compressor in uitvoering Uitdruppelen bezig Opwarming van de koelvloeistof bezig
	<b>AAN:</b> De ventilator van de verdamper is aan <b>KNIPPEREND:</b> Stop ventilator van de verdamper bezig
	<b>AAN:</b> Licht in de cel is aan in manuele modus <b>KNIPPEREND:</b> Licht in de cel is aan in automatische modus
	<b>AAN:</b> De ontwasemweerstand zullen aan zijn Hulpuitgang aan in manuele modus Uitgang alarm geactiveerd De deurweerstand zullen aan zijn <b>KNIPPEREND:</b> Hulpuitgang aan in modus op afstand beheerd
	<b>AAN:</b> Functie Overcooling bezig
	<b>AAN:</b> Er doet zich een alarm of fout voor
	<b>AAN:</b> Niet alle inlichtingen betreffende HACCP-alarmen werden weergegeven <b>KNIPPEREND:</b> Er werd minstens één nieuw alarm in het geheugen opgeslagen <b>UIT:</b> Alle inlichtingen betreffende de alarmen werden weergegeven Lijst met HACCP-alarmen werd gewist
	<b>AAN:</b> Functie Energy Saving in uitvoering
	<b>AAN:</b> Aanvraag voor onderhoud van de compressor
	<b>AAN:</b> De meeteenheid van de temperaturen zal Celsiusgraden zijn
	<b>AAN:</b> De meeteenheid van de temperaturen zal graden Fahrenheit zijn
	<b>AAN:</b> Het instrument is in stand-by

### ■ INDICATIES

COD.	BETEKENIS
rhL	Lage functie UR% geselecteerd
rhH	Functie voor hoge UR% geselecteerd
Loc	Het toetsenbord is geblokkeerd. Het werk-Setpoint is geblokkeerd
----	Gevraagde werking is niet beschikbaar

**■ WEERGAVE****CELTEMPERATUUR**

Zichtbaar als het instrument aan is tijdens de normale werking..

**TEMPERATUUR VERDAMPER (met verdampersonde aanwezig)**

Druk gedurende enkele seconden op de toets DOWN (④), daarna op de toets UP (⑤) of DOWN (④) drukken om "Pb2" te selecteren.

Door op de toets SET (Ⓢ) te drukken, verschijnt op het display de temperatuur van de verdamper. Druk opnieuw op SET (Ⓢ) of niets doen om terug te keren naar de weergave van de celtemperatuur.

**TEMPERATUUR CONDENSATOR (met condensatorsonde aanwezig)**

Druk gedurende enkele seconden op de toets DOWN (④), daarna op de toets UP (⑤) of DOWN (④) drukken om "Pb3" te selecteren.

Wanneer men de toets SET (Ⓢ) indrukt, verschijnt op het display de temperatuur van de conensator. Druk opnieuw op SET (Ⓢ) of niets doen om terug te keren naar de weergave van de celtemperatuur.

**URENTELLER WERKING COMPRESSOR ("HACCP EXTENDED")**

Druk gedurende enkele seconden op de toets DOWN (④), daarna op de toets UP (⑤) of DOWN (④) drukken om "CH" te selecteren.

Door op de toets SET (Ⓢ) te drukken, verschijnt op het display de werkuren van de compressor. Druk opnieuw op SET (Ⓢ) of niets doen om terug te keren naar de weergave van de celtemperatuur.

**■ INSTELLING DATUM EN UUR (INDIEN AANWEZIG)**

■ Druk gedurende enkele seconden op de toets DOWN (④), daarna op de toets UP (⑤) of DOWN (④) drukken om "rtc" te selecteren.

■ Door op de toets SET (Ⓢ) te drukken, verschijnt achtereenvolgens op het display: "yy", "nn", "dd", "hh" en "nn" gevolgd door 2 cijfers die overeenkomen met respectievelijk het jaar, de maand, de dag, het uur en de minuten, waarden die wijzigbaar zijn met de toetsen UP (⑤) of DOWN (④).

■ Op ON/STAND-BY(Ⓛ), drukken om de procedure te verlaten.

**■ FUNCTIES HACCP**

■ Het instrument kan tot 3 (versie "HACCP BASE") alarmen of 9 (versie "HACCP EXTENDED") in het geheugen opslaan.

■ Het instrument geeft de volgende inlichtingen:

- de kritische waarde
- de datum en het uur (versie "HACCP EXTENDED")
- de tijdsduur van het alarm (van 1 min tot 99 u en 59 min, gedeeltelijk als het alarm bezig is).

COD.	TYPE ALARM	KRITISCHE WAARDE
AL	alarm minimumtemperatuur	de minimumtemperatuur van de cel tijdens een alarm van dit type
AH	alarm maximumtemperatuur	de maximumtemperatuur van de cel tijdens een alarm van dit type
Id	alarm ingang micro deur	de maximumtemperatuur van de cel tijdens een alarm van dit type
PF	alarm onderbreking van de voeding	de temperatuur van de cel bij het herstel van de voeding (par. AA)

■ VERSIE "HACCP BASE": Het instrument werkt de informatie bij als de nieuwe gebeurtenis kritieker is dan de gebeurtenis in het geheugen, of wanneer de informatie al weergegeven werd. Als het instrument uit staat, wordt geen enkel alarm opgeslagen

■ VERSIE "HACCP EXTENDED": het recentste alarm overschrijft het oudste alarm. Als de tijdsduur van het alarm onderbreking van de voeding dusdanig is dat ze een uurwerkfout veroorzaakt, zal het instrument geen enkele informatie geven wat betreft de tijdsduur van het alarm.

■ Wanneer de oorzaak waardoor het alarm optrad verdwijnt, herneemt het display de normale werking, behalve voor het alarm onderbreking van de voeding, dat het herstel van de normale weergave op natuurlijke wijze vereist.

■ Het LED HACCP geeft de inlichtingen betreffende de status van het geheugen met de HACCP-alarmen: indien aan worden alle inlichtingen betreffende de HACCP-alarmen niet weergegeven, indien knipperend zal het instrument minstens één nieuw HACCP-alarm in het geheugen hebben opgeslagen.

**■ WEERGAVE HACCP-ALARMEN**

■ Om naar de procedure te gaan:

- druk gedurende 2 s op de toets DOWN (④): het display toont het eerste label.

- de toets UP (⑤) of de toets DOWN (④) indrukken en weer loslaten om "LS" te selecteren.

- de toets SET (Ⓢ) indrukken en weer loslaten: het display toont één van de codes "AL", "AH", "Id".

■ Om een alarm te selecteren:

- de toets UP (⑤) of de toets DOWN (④) indrukken en weer loslaten (vb. om "AH" te selecteren).

■ Om de inlichtingen betreffende het alarm weer te geven:

- de toets SET (Ⓢ) indrukken en weer loslaten: het LED HACCP stopt met knipperen en het display geeft achtereenvolgens de volgende inlichtingen: (#:modellen met "HACCP EXTENDED"):

INFO	BETEKENIS
8,0	de kritische waarde is 8,0 °C/8 °F
StA #	het display zal de datum en het uur weergeven waarop het alarm zich heeft voorgedaan
y07 #	het alarm heeft zich voorgedaan in 2007 (vervolg...)
n03 #	het alarm heeft zich voorgedaan in de maand maart (vervolg...)
d26 #	het alarm heeft zich voorgedaan op 26 maart 2007
h16 #	het alarm heeft zich voorgedaan om 16 (vervolg...)
n30 #	het alarm heeft zich voorgedaan om 16u30
Dur	het display zal de tijdsduur van het alarm weergeven
h01	het alarm heeft 1 u geduurd (vervolg...)
n15	het alarm heeft 1 u en 15 min geduurd
AH3	het geselecteerde alarm

■ Om de opsomming van inlichtingen te verlaten:

- de toets ON/STAND-BY(Ⓛ) indrukken en weer loslaten: het display geeft het geselecteerde alarm weer (in het voorbeeld "AH3").

■ Om de procedure te verlaten:

- de opsomming van inlichtingen te verlaten

- de toets UP (⑤) of de toets DOWN (④) indrukken en weer loslaten tot het display de temperatuur van de cel weergeeft, of gedurende 60 s niets doen.

■ Indien het instrument geen enkel alarm in het geheugen heeft, wordt het label "LS" niet weergegeven

**■ DE LIJST MET HACCP-ALARMEN WISSEN**

- Houd de toets DOWN (④) gedurende 2 sec. ingedrukt: het display toont het eerste beschikbare label.

- Druk op de toets UP (⑤) of DOWN (④) om "rLS" te selecteren.

- Druk op de toets SET (Ⓢ) .

- Druk binnen 15 sec. op de toets UP (⑤) of DOWN (④) om "149" in te stellen.

- Druk op de toets SET (Ⓢ) ofwel gedurende 15 sec. niets doen: het display geeft gedurende enkele seconden knipperend "----" weer, en het LED HACCP gaat uit, waarna het instrument de procedure verlaat.

■ Als het geheugen van het instrument geen enkel alarm bevat, wordt het label "rLS" niet weergegeven.

## ■ Parameters en opsporen van defecten

### ■ INSTELLING VAN DE PARAMETERS

Handel als volgt om toegang tot de procedure te krijgen:

- controleer of geen enkele procedure in uitvoering is
- druk gedurende 4 s op UP (Ⓢ) en DOWN (Ⓞ): het display zal "PA" tonen
- druk op SET (Ⓢ)
- druk binnen 15 s op UP (Ⓢ) of DOWN (Ⓞ) om "-19" in te stellen
- druk op SET (Ⓢ) of doe niets gedurende 15 s
- druk 4 s op UP (Ⓢ) en DOWN (Ⓞ): het display zal "SP" tonen.

Om een parameter te selecteren:

- druk op UP (Ⓢ) of DOWN (Ⓞ)

Om een parameter te wijzigen:

- druk op SET (Ⓢ)
- druk binnen 15 s op UP (Ⓢ) of DOWN (Ⓞ)
- druk op SET (Ⓢ) of doe niets gedurende 15 s.

Om de procedure te verlaten:

- druk gedurende 4 s op UP (Ⓢ) en DOWN (Ⓞ) of doe niets gedurende 60 s.

Onderbreek de voeding naar het instrument nadat de parameters gewijzigd zijn.

### ■ ALARMEN EN FOUTEN

COD.	TYPE ALARM
	Oplossingen <i>Gevolgen</i>
<b>iA</b>	<b>ALARM INGANG MULTIFUNCTIE</b>
	Controleer de oorzaken van de activering van de ingang / Zie parameters i5 en i6 <i>Effect bepaald door parameter i5 / Uitgang alarm geactiveerd met u1=3</i>
<b>iSd</b>	<b>ALARM DRUKREGELAAR</b>
	Controleer de oorzaken van de activering van de ingang / Zie parameters i5, i6, i7, i8 en i9 / Het instrument uitschakelen en opnieuw aanzetten, of de voeding onderbreken <i>De regelaars gaan uit / Uitgang alarm geactiveerd met u1=3</i>
<b>COH</b>	<b>ALARME CONDENSATOR OVERVERHIT</b>
	Controleer de temperatuur van de condensator / Zie parameter C6 <i>Uitgang alarm geactiveerd met u1=3</i>
<b>CSd</b>	<b>ALARM COMPRESSOR GEBLOKKEERD</b>
	Controleer de temperatuur van de condensator / Zie parameter C7 / Het instrument uitschakelen en opnieuw aanzetten: als de temperatuur van de condensator bij het opnieuw aanzetten nog steeds > is dan par. C7, moet men de voeding wegnemen en de condensator reinigen <i>Compressor en ventilator van de verdampers gaan uit</i>
<b>Pr1</b>	<b>FOUT CELSONDE</b>
	Controleer het type sonde / Controleer de integriteit van de sonde / Controleer de aansluiting instrument-sonde / Controleer de temperatuur van de cel <i>Compressor aan of uit gedurende 10 min / De ontthooing wordt nooit geactiveerd / Uitgang alarm geactiveerd met u1=3</i>
<b>Pr2</b>	<b>FOUT SONDE VERDAMPERS</b>
	Controleer het type sonde / Controleer de integriteit van de sonde / Controleer de aansluiting instrument-sonde / Controleer temper. van de sonde van de verdampers <i>Ontthooing actief gedurende 30 min met P3=1 / Ontthooing bij intervallen met P3=1 en d8=2 / De ventilator van de verdampers werkt parallel met de compressor met F0=3 of 4 / Uitgang alarm geactiveerd met u1=3</i>
<b>Pr3</b>	<b>FOUT SONDE CONDENSATOR</b>
	Controleer het type sonde / Controleer de integriteit van de sonde / Controleer de aansluiting instrument-sonde / Controleer de temperatuur van de sonde van de condensator <i>Het alarm "COH" wordt nooit geactiveerd / Het alarm "CSd" wordt nooit geactiveerd / Uitgang alarm geactiveerd met u1=3</i>
<b>rtc</b>	<b>FOUT UURWERK</b>
	Stel de datum en het uur opnieuw in <i>Ontthooing bij intervallen met d8=3 / De HACCP geeft geen inlichtingen over de datum en het uur waarop het alarm is opgetreden / De functie Energy Saving niet in realtime beschikbaar / Uitgang alarm geactiveerd met u1=3</i>

Wanneer de oorzaak waardoor het alarm optrad weggenomen is, herneemt het instrument de normale werking, behalve voor de volgende alarmen waarvoor men het volgende moet doen:

- "PF" druk op een willekeurige toets;
- "iSd" het instrument uitschakelen of de voeding onderbreken
- "CSd" het instrument uitzetten of de voeding onderbreken

### ■ DEFECTEN

In geval van een slechte werking van het toestel, dient men de volgende lijst te controleren om te zien of het mogelijk is om een goede werking te bekomen zonder interventie van de assistentie; onder dien verstande dat de vermeldingen niet volledig de casuïstiek van de mogelijkheden dekken.

■ De interventie van een veiligheidsvoorziening geeft een afwijkende werking aan; controleer vooraleer te herstarten en neem de oorzaak weg.

■ Wendt u tot de technische assistentie indien het probleem niet verdwijnt en vermeld de aard van het defect, de code en het registratienummer van het apparaat. Deze gegevens zijn terug te vinden op het technische label binnenin het apparaat.

PROBLEEM	
	Mogelijke oorzaak
	Interventie
<b>1</b>	<b>HET APPARAAT START NIET</b>
1.1	Het apparaat is niet correct aangesloten op de voeding <i>Controleer of de stekker correct is ingebracht in het stopcontact</i>
<b>2</b>	<b>DE COMPRESSOR STOPT ZELDEN</b>
2.1	De temperatuur van het lokaal is te hoog <i>Zorg voor voldoende verluchting van het lokaal</i>
2.2	De condensator van de koelkast is vuil <i>Controleer en reinig zorgvuldig en regelmatig.</i>
2.3	De hoeveelheid koelmiddel is laag <i>Wendt u tot een bevoegd assistentiecentrum om om een eventueel lek op te sporen, om dit lek te laten herstellen en bij te vullen</i>
2.4	De dichtingen van de deur/en zijn weinig efficiënt <i>Indien de werking niet hersteld kan worden, wendt u tot een bevoegd assistentiecentrum voor een eventuele vervanging</i>
2.5	De verdampers verstopt <i>Plaats geen warme levensmiddelen of gerechten met veel water in het apparaat, indien nodig manueel ontthooien</i>
2.6	De motorventilator werkt niet correct <i>Wendt u tot een bevoegd assistentiecentrum om eventueel te laten vervangen</i>
<b>3</b>	<b>HET OPVANGBAKJE VOOR ZELFVERDAMPING LOOPT OVER</b>
3.1	Frequent inbrengen van warme levensmiddelen en gerechten met veel water <i>Plaats geen warme levensmiddelen of gerechten met veel water in het apparaat</i>
3.2	Te vaak openen van deuren en/of schuiven <i>Wees aandachtig bij de gebruiksomstandigheden van het toestel</i>
<b>4</b>	<b>TEMPERATUUR VAN DE CEL IS ONVOLDOENDE</b>
4.1	De condensator van de koelkast is vuil <i>Controleer en reinig zorgvuldig en regelmatig.</i>
4.2	Te weinig verluchting van de zone palend aan de technische ruimte <i>Neem eventuele obstructies weg</i>
4.3	Toevoer van warme lucht in de cel <i>Controleer of de deur goed sluit en of de dichting wel werkt. Indien het niet mogelijk is om de goede werking te herstellen, wendt u tot een bevoegd assistentiecentrum voor een eventuele vervanging en afstelling</i>
4.4	De verdampers is verstopt <i>Voer een manueel ontthooien uit</i>

## ■ Reinigen en onderhoud

DE VOLGENDE WAARSCHUWINGEN ZIJN BIJZONDER BELANGRIJK ALS DE GEBRUIKTE KOELVLOEISTOF VAN HET TYPE R290 IS

(zie referentie 13 op pagina 2 van deze handleiding en het technische gegevensplaatje van het apparaat)



HOUD DE VENTILATIEOPENINGEN IN DE OMBOUW VAN HET APPARAAT, OF IN DE INBOUWSTRUCTUUR, VRIJ VAN OBSTRUCTIES.

GEBRUIK GEEN ANDERE MECHANISCHE WERKTUIGEN OF MIDDELEN OM HET ONTDOOI PROCES TE VERSNELLEN DAN DIE, DIE DOOR DE FABRIKANT AANBEVOLEN WORDEN.

HET KOELCIRCUIT NIET BESCHADIGEN.

GEBRUIK GEEN ELEKTRISCHE APPARATEN BINNENIN DE COMPARTIMENTEN VOOR DE BEWARING VAN BEVROREN VOEDSEL ALS DIE NIET VAN HET DOOR DE FABRIKANT AANBEVOLEN TYPE ZIJN.

- Deze sectie is bestemd voor de eindgebruiker en is uitermate belangrijk voor de goede werking van het apparaat na verloop van tijd.
- Met weinig handelingen die zorgvuldig en regelmatig uitgevoerd zijn, kan men vermijden dat interventies door gespecialiseerd personeel dienen te gebeuren.
- De uit te voeren handelingen vereisen geen bijzondere technische kennis

### BELANGRIJK



VOORALEER OM HET EVEN WELK ONDERHOUD OF REINIGING VAN HET APPARAAT UIT TE VOEREN, MOET MEN HET TOESTEL LOSKOPPELEN VAN HET ELEKTRISCHE STROOMNET.

HET TOESTEL NIET SPOELEN MET RECHTSTREEKSE WATERSTRALEN ONDER HOGE DRUK.

VERMIJDT DAT WATER IN CONTACT KOMT MET DE ELEKTRISCHE DELEN.

### ■ REINIGING

- De noodzaak om het toestel te reinigen hangt in grote mate af van de gebruiksfrequentie. Observeer het gebruik en programmeer de reinigingen in functie hiervan.
- Om de binnenkant en de buitenkant te reinigen, gebruik een neutraal of licht alkalisch detergent. Voor de schoonmaak van de dichtingen moet een neutral product op waterbasis worden gebruikt, dat gewoonlijk in het huishouden wordt gebruikt. DE DICHTINGEN NIET VERWIJDEREN OM DE REINIGING UIT TE VOEREN!.  
Het is aangeraden om af en toe de binnenkant te reinigen met een desinfecterend middel. De onzuiverheden kunnen verwijderd worden met een vochtige doek. Het verwijderen van de legplanken vergemakkelijkt het reinigen binnenin.
- Gebruik nooit metalen voorwerpen om het toestel te poetsen; dit zou beschadiging kunnen veroorzaken.
- Om een grondigere reiniging binnenin te kunnen doen, moet men de geleiders van de roostersteun wegnemen.

### BELANGRIJK

DE APPARATEN ZIJN UITGEVOERD IN STAAL BESTAND TEGEN CORROSIE DIE VOORTVLOEIT UIT NORMAAL GEBRUIK.

VERMIJDT HET GEBRUIK VAN DETERGENT SUBSTANTIES OF REINIGINGSSYSTEMEN DIE DE INTEGRITEIT KUNNEN AANTASTEN.

## ■ GEWOON ONDERHOUD

### CONDENSBATTERIJ

Het is belangrijk dat de batterij in staat is om maximaal warmte-uitwisseling te geven. Controleer daarom of het oppervlak altijd vrij is van vuil of stof, die zich kunnen afzetten ten gevolge van de werking van de elektroventilatoren.

- Verwijder met behulp van een stofzuiger, een kwast of een niet-metalen borstel alle onzuiverheden type papier en stof, die afgezet kunnen zijn op het oppervlak van de batterij, en let goed op om de vleugels of de schoepen van de motorventilator niet te plooiën of te beschadigen. Wanneer een filterpaneel aanwezig is, moet die verwijderd en gereinigd worden. Daarna op de oorspronkelijke plaats terugplaatsen. Indien beschadigd of teveel verstopt, een wisselstuk aanvragen en vervangen.

Deze norm niet naleven kan het koelcircuit of de producten die in het apparaat zitten ernstig beschadigen.

### DICHTINGEN DEUR

Controleer de staat van de dichtingen van de deur: het is van fundamenteel belang dat een perfecte dichting verzekerd is.

### VOEDINGSKABEL

- Controleer of de voedingskabel die het apparaat met het stopcontact verbindt geen scheuren, barsten of andere veranderingen vertoont die de isolering kunnen in het gedrang brengen. Contacteer een bevoegd centrum voor assistentie in geval een onderhoud nodig mocht zijn.

Als de voedingskabel beschadigd is, moet deze vervangen worden door de fabrikant of door diens technische assistentiedienst, of in ieder geval door iemand met een gelijkaardige kwalificatie, om elk risico te vermijden.

Een beschadigde elektrische kabel kan brand, een elektrische schok of een ongeval veroorzaken.

## ■ LANGDURIGE STILSTAND

Ga als volgt tewerk in geval van langdurige inactiviteit:

Zet het toestel uit en haal de voedingskabel uit het stopcontact; Maak het apparaat leeg en reinig zoals beschreven onder het trefwoord REINIGING.

Zet de deuren op een kier om te vermijden dat er zich onaangename geuren ontwikkelen.

Bescherm de compressorgroep tegen stof.

## ■ LAMP VERVANGEN [INDIEN AANWEZIG]

Voor het vervangen van het lampje moet men de instructies hierna volgen (het type lampje wordt vermeld op een zelfklevend etiket):

- Zet het toestel uit en haal de voedingskabel uit het stopcontact;
- Open de deur en neem het beschermglas van het lampje weg;
- Draai het lampje los binnen in het instrumentenbord en vervang door een nieuw met identieke kenmerken;
- Plaats het beschermglas terug.

## ■ MAXIMUMBELASTING VAN DE BIJGELEVERDE ROOSTERS



IEDER BIJGELEVERD ROOSTER KAN EEN MAXIMUMGEWICHT VAN 50 KG ONDERSTEUNEN.

DE LADING MOET GELIJKMATIG OVER HET ROOSTER VERDEELD WORDEN, ZODAT DE VENTILATIE IN HET APPARAAT NIET WORDT BELEMMERD.

## ■ Funktionsbeskrivelse, modtagelse og bortskaffelse

### ■ BEREGNET BRUG

- Apparaterne er designet til indendørs brug og må udelukkende anvendes til opbevaring af fødevarer og drikkevarer.
- Modellerne for opbevaring (lav temperatur) er udelukkende designet til opbevaring af produkter, der er indfrosne.
- Apparatet er ikke beregnet til at blive brugt af personer (herunder børn) med nedsatte psykiske eller motoriske evner, eller med manglende erfaring og kendskab, medmindre der er opsyn eller vejledning i apparatets brug af en person der er ansvarlig for deres sikkerhed.
- Børn skal overvåges så man er sikker på at de ikke leger med apparatet.
- Kom aldrig varme væsker eller fødevarer i og fyld ikke beholdere der er udstyret med låg op til randen.
- Man må aldrig komme sodavand ind i rummet med lav temperatur.  
De kan eksplodere.
- I samtlige apparater findes der overflader der dækkes med rim. Alt afhængigt af modellen, kan denne rim fjernes automatisk (automatisk afrimning) eller manuelt. Forsøg aldrig at fjerne rimen med spidse genstande.  
Man risikerer at beskadige apparatet med det samme.
- Fabrikanten fratages for ethvert ansvar med efterfølgende bortfald af garantien i tilfælde af elektriske og/eller mekaniske ændringer.

### ■ KONTROL VED MODTAGELSE

Kontrollér ved apparatets ankomst at det ikke er blevet beskadiget under transporten og at det er som det skal være i alle sine dele som det man har bestilt

- I tilfælde af synlige skader skal man straks annotere skaden der er fundet på transportdokumentet ved at skrive formuleringen: "TILBAGESENDING PGA. TYDELIGE SKADER PÅ EMBALLAGEN."



SAMTLIGE OPERATIONER DER FØLGENDE CITERES SKAL FORETAGES I OVERENSSTEMMELSE MED DE GÆLDENDE SIKKERHEDSNORMER, BÅDE FOR HVAD DER VEDRØRER DET ANVENDTE UDSTYR OG FOR DET DER VEDRØRER ARBEJDSMODALITETERNE.



INDEN MAN GÅR I GANG MED HÅNDTERINGEN SKAL MAN SIKRE SIG AT LØFTEKAPACITETEN ER PASSENDE TIL DET OMTALTE APPARATS VÆGT.

### ■ HÅNDTERING

HÅNDTERING med LØFTEVOGN eller LIGNENDE

Sæt gafferne i på den forreste eller bagerste side af trætrinbrættet der hører til apparatet.

Gå kun igang med løftning når apparatet befinder sig en stabil ligevægt.



MÅ IKKE VIPPES ELLER VÆLTES UNDER HÅNDTERING.



HVIS DET SKULLE VÆRE NØDVENDIGT AT TRANSPORTERE APPARATET I EN ANDEN POSITION END DRIFTPOSITIONEN; SKAL DER GÅ MINDST 2 TIMER, INDEN DET TÆNDES.

SKAL HOLDES TØR  
UNDGÅ ABSOLUT AT STILLE ANDRE GENSTANDE  
OVENPÅ APPARATET.

### ■ FJERNELSE AF EMBALLAGE

Fjern beskyttelsen uden at anvende redskaber, der kan beskadige apparatets overflade.

Løft apparatet op fra pallen og placér det på jorden på det forudbestemte sted.

Emballagematerialet skal holdes fjernt fra børns rækkevidde eftersom det er en potentiel farekilde.

Bortskaf emballageprodukterne ved at bringe dem til specialiserede indsamlings- og genbrugscentre (man skal overholde de gældende love).

- Kontrollér at serienummeret svarer til det der findes i ledsagedokumentet.

### ■ RESTERENDE RISICI

- Apparaterne er fremstillet og designet med henblik på at sikre brugerens sikkerhed og sundhed og har ingen farlige hjørner, skarpe overflader eller fremspringende elementer. Deres stabilitet er sikret, selv når dørene er åbne, dog er det forbudt at holde fast i dørene.
- Åbn ikke mere end én skuffe ad gangen på apparater med skuffer og lad være med at læne dig op ad eller sætte dig på den åbne skuffe for at undgå, at apparatet vælter eller beskadiges.
- Bemærk: Undlad at trække mere end én kurv eller rist ud ad gangen på apparater med glasdøre for ikke at bringe apparatets stabilitet i fare.
- Under kørsel med apparater på hjul skal man være opmærksom på ikke at skubbe apparatet for voldsomt for at undgå, at det vælter. Vær opmærksom på eventuelle ujævnheder på ruten.
- LÅS ALTID HJULENE MED DE SÆRLIGE STOPPERE.

### ■ STØJNIVEAU

- Det A-vejede lydtryksniveau på arbejdspladsen overgår IKKE 70 dB(A).

### ■ BORTSKAFFELSE

- Vores apparater indeholder kølevæske, i henhold til EU forordningen nr. 2037/2000 fra 29 juni 2000, som beskrives på mærkepladen; apparatet er derudover opbygget af dele og materialer der kan genbruges eller genvindes.

Når man er færdig med at bruge apparatet, er det vigtigt at det leveres til økologiske indsamlingssteder.

Den bedste måde at forhindre at nogen skulle komme til skade er at sikre at ingen bliver lukket inde deri.

- Apparatet må IKKE bortskaffes med normalt husaffald og skrot.
- Man skal sørge for at undgå skader på kølekredsløbet.



OVERHOLD DE LOKALE GÆLDENDE  
LOVE DER VEDRØRER OPHUGNING AF  
DISSE TYPER APPARATER.





## ■ Igangsætning

### VIGTIGT



**INDEN MAN TILSLUTTER APPARATET SKAL MAN SIKRE SIG AT SKILTETS DATA MODSVARER DEN DER FINDES I STRØMNETTET. TYPESKILTET DER VISER DEN ELEKTRISKE DATA DER ER NØDVENDIG TIL INSTALLATIONEN FINDES PÅ KØLERUMMETS HØJRE SIDE.**

En ikke korrekt strømforsyning kunne blive årsag til brand, elektriske stød og ulykker.

**INSTALLATIONEN SKAL FORETAGES EFTER INSTRUKTIONERNE DER FINDES I DETTE AFSNIT AF ET ARBEJDSMÆSSIGT KVALIFICERET PERSONALE.**

**APPARATET SKAL TILSLUTTES ET EFFEKTIV JORDINGSANLÆG SOM DET KRÆVES AF DE GÆLDENDE SIKKERHEDSNORMER OM ELEKTRICITET.**

Et defekt jordingsanlæg kunne blive årsag til kortslutninger eller elektrisk stød i tilfælde af fejlfunktion.



**APPARATET SKAL DERUDOVER INKLUDERES I ET ÆKVIPOTENTIET SYSTEM HVIS EFFEKTIVITET SKAL KONTROLLERES EFTER DE GÆLDENDE LOVE.**

**DET ER FORBUDT AT BRUGE ADAPTERE, STRØMSKINNER, OG/ELLER FORLÆNGERLEDNINGER.**

### ■ INDLEDENDE GENEREL KONTROL

- **Kontrollér at hylden er egnet til at kunne klare apparatets vægt og at den er plan;**  
Placér apparatet efter vaterpas. Justér eventuelt de regulerbare fødders bevægelige dele indtil man opnår en perfekt udligning; samtlige fødder skal røre gulvet. Man kan eventuelt bruge et dertil bestemt vaterpas. Den maksimale anbefalede afvigelse fra den vandrette plan er på +/-0,5 grader.  
Apparater på hjul kan ikke nivelleres, og det skal derfor sikres, at støtteoverfladen er fuldstændig vandret og jævn. Det kunne gå ud over apparatets stabilitet og kunne forårsage at det vælter.  
Dørenes korrekte funktion kunne kompromitteres.
- **For at undgå dannelse af kondens eller is anbefales det at placere apparaterne med mindst 5 cm's afstand. Det er afgørende, at modellerne med integreret kondensator har mindst 50 cm frit rum foran (borde) eller over (skabe); stil ikke apparatet i nærheden af varmekilder eller på et sted der udsættes for direkte sollys; forhindr ikke motorrummets frie luftcirkulation.**  
Hvis man ikke overholder disse normer kan man fremprovokere alvorlige skader på kølekredsløbet eller på produkterne der findes i apparatet.
- **vis apparatet er blevet flyttet, er det nødvendigt at vente nogen tid, inden det tændes igen. Særligt skal man, hvis transporten har fundet sted i en anden position end driftspositionen, vente mindst 2 timer.**
- Fjern de ydre overfladers beskyttelsesplastik og gør rent indeni med lunkent vand og neutral sæbe.
- Nøglerne må (hvis de findes) ikke befinde sig indenfor børnenes rækkevidde.

### ■ INDLEDENDE KONTROL AF DEN ELEKTRISKE DEL OG IGANGSÆTNING.

- **Strømnettets spændingsværdi skal svare til den der findes på apparatets mærkeplade (punkt 6 i afsnittet "Matrikeldata").**  
En ikke korrekt elektrisk forsyning kunne forårsage brand, elektriske stød eller ulykker.
- **Installér en sikring på 16° opstrøms.**
- **Stil hovedafbryderen hvor fødeledningens stik skal tilsluttes i OFF position.**



APPARATET SKAL TILSLUTTES STRØMNETTET VHA. DET MEDLEVEREDE STIK.



NÅR APPARATET ER INSTALLERET, SKAL STIKKET VÆRE NEMT TILGÆNGELIGT

- **Kontrollér kompatibiliteten mellem strømudtaget og apparatets stik. I tilfælde hvor det er nødvendigt, skal man skifte strømudtaget ud med en anden egnet type af et arbejdsmæssigt kvalificeret personale. Den sidstnævnte skal også sikre sig at udtagets kabelsektioner er egnede til apparatets effektforbrug.**
- Efter omhyggeligt at have foretaget det ovennævnte, kan man starte apparatet.
- **Stil hovedafbryderen hvortil fødeledningens stik er forbundet i position ON.**
- **Tryk på afbryderen "ON/STAND BY" på betjeningspanelet for at tænde apparatet.**  
Efter 1 minut, vil kompressoren starte og den indre temperatur vil reguleres til den fabriksindstillede værdi.
- For arbejdsmodaliteterne der relaterer til variation af SÆT-PUNKTS værdien der er forudbestemt fra fabrikken, skal man se afsnittet STYRE-PANEL.



**FYLD IKKE APPARATET INDEN TEMPERATUREN ER KOMMET OP PÅ DEN FORUDINDSTILLEDE VÆRDI.**

MAN MÅ ALDRIG OVERSKRIDE LASTEGRÆNSEN DER VISES AF ETIKETTEN DER FINDES INDEN I KØLERUMMET.

### ■ FUNKTION

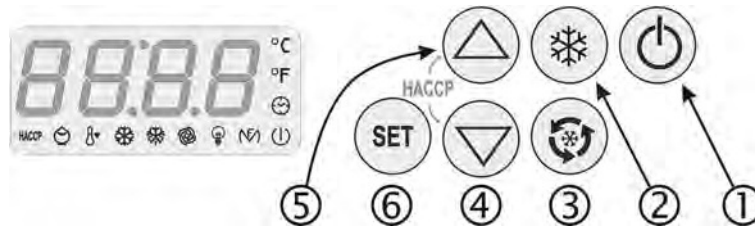
- En korrekt opbevaring af fødevarerne er en vigtig faktor i hygiejnisk og sikker fødevarereproduktion og forbedrer derudover den gastronomiske aktivtets effektivitet og har indflydelse på energiforbruget. Følg instruktionerne der findes nedenunder for at opnå apparatets maksimale ydelse.
- Produkterne skal altid opbevares på hylderne; fyld ikke med varer hen til kølerummets bund.



PRODUKTERNE SKAL LAGRES SÅLEDES AT DER ER FRI LUFTSTRØM.

LAD DER VÆRE EN LEDIG PLADS MELLEMLER PRODUKTERNE OG PLACER DEM IKKE I BERØRING MED VÆGGENE. MAN KAN ÆNDRE AFSTANDEN MELLEMLER HYLDERNE.

## ■ Kontrolpanel



### ■ TASTATUR OG TILKNYTTEDE FUNKTIONER

- Hold samtidig tasten og tasten trykket i nogle sekunder og tastaturet vil låses: displayet visualiserer "Loc".
- Ved påny at trykke den vil tastaturet frigøres: displayet vil visualisere "UnL".

#### ON/STAND BY

Ved at trykke tasten i nogle sekunder vil apparatet tændes/slukkes.

#### MANUEL AFRIMNING

Ved at trykke tasten i nogle sekunder vil en manuel afrimning aktiveres hvis fordamperehedens temperatur tillader det, og hvis Overcooling funktionen ikke er aktiv.

Hvis afrimningsintervallet udløber mens en Overcooling er i gang, vil afrimningen aktiveres når selve denne funktion er færdig.

#### LYS I KØLERUM / KONTINUERLIG KØLING (hvis den findes)

Ved at trykke hjælpetasten vil kølerummets lys tændes/slukkes på manuel måde.

Gennem mikrodørens indgang kan man tænde/slukke kølerummets lys på automatisk måde.

**Hvis den findes:** Når der trykkes på tasten i mindst 4 sek., forbereder man udstyret på den intensive brug under produktionsfasen og ilægning i køleskabet.

Den sidst indstillede tid vises på displayet, og det er muligt at ændre den med tasterne UP og DOWN (med justering hver 30. min.). Ved igen at trykke længe på tasten startes cyklusen; der startes en afrimning (hvis nødvendigt), hvorefter kompressoren kører uafbrudt i den indstillede tid uden yderligere afrimninger.

Displayet viser skiftevis den resterende tid og temperaturen i cellen.

Under denne fase kan man, ved igen at trykke på knappen , ændre den indstillede tid eller afbryde cyklusen ved at sætte værdien til "00:00" og derefter igen trykke længe på tasten .

#### taste DOWN

Gennemløber menuens stemmer og formindsker værdierne.

#### taste UP

Gennemløber menuens stemmer og forøger værdierne.

Hvis den trykkes i nogle sekunder vil den aktivere funktionen til lav RF% (på displayet vises "rhL") eller til høj RF% (på displayet vises "rhH") i 10 s.

Hvis funktionen ikke er disponibel, vil et tryk på tasten fremprovokere visualiseringen af indikationen "----".

#### SÆTPUNKT

Gør det muligt at få adgang til sætpunktets ændringsfunktion.

### ■ STILTIENDE AF BRUMMER (hvis den findes)

Tryk kort en hvilken som helst taste.

### ■ INDSTILLING AF SÆTPUNKT

- tryk og slip tasten SET(): kompressorens LED vil blinke

- tryk og slip tasten UP () eller tasten DOWN () indenfor 15 s.
- tryk og slip tasten SET() eller ikke gøre noget i 15 s kompressorens LED vil slukkes, hvorefter instrumentet vil forlade proceduren.



**FORETAG IKKE NOGEN VEDLIGEHOLDELSER NÅR APPARATET ER ON ELLER I STANDBY.**

**FRAKOBL DEN EL-FORSYNINGEN.**

### ■ SIGNALERINGER

LED	BETYDNING
	<b>TÆNDT:</b> kompressoren er tændt <b>BLINKENDE:</b> Ændr det igangværende arbejds sætpunkt Igangværende kompressorbeskyttelse
	<b>TÆNDT:</b> Igangværende afrimning <b>BLINKENDE:</b> Efterspørgsel om afrimning, men en kompressorbeskyttelse er i gang Drypning er i gang Opvarmning af kølevæske er i gang
	<b>TÆNDT:</b> Fordamperehedens ventilator er i gang <b>BLINKENDE:</b> Stillestående fordamperehedens ventilator i gang
	<b>TÆNDT:</b> Kølerumsls er tændt på manuel måde <b>BLINKENDE:</b> Kølerumsls er tændt på automatisk måde
	<b>TÆNDT:</b> Antidugdannelsens modstande vil være tændte Hjælpeudgang tændt på manuel måde Aktiveret alarmudgang Døernes modstande vil være tændte <b>BLINKENDE:</b> Hjælpeudgang tændt på fjernmåde
	<b>TÆNDT:</b> Igangværende Overcooling funktion
	<b>TÆNDT:</b> Igangværende alarm eller fejl
	<b>TÆNDT:</b> Ikke alle informationer om HACCP alarmerne er blevet visualiseret <b>BLINKENDE:</b> En eller flere nye alarmer er blevet gemt i hukommelsen <b>SLUKKET:</b> Samtlige informationer om alarmer er blevet visualiseret Liste over HACCP alarmer er blevet slettet
	<b>TÆNDT:</b> Igangværende Energy Saving funktion
	<b>TÆNDT:</b> Efterspørgsel om vedligeholdelse af kompressor
	<b>TÆNDT:</b> Temperatures måleenhed vil være Celsius grader
	<b>TÆNDT:</b> Temperatures måleenhed vil være Fahrenheit grader
	<b>TÆNDT:</b> Instrumentet er i standby

### ■ INDIKATIONER

KODE	BETYDNING
rhL	Valgt funktionen til lav RF%
rhH	Valgt funktionen til høj RF%
Loc	Tastaturet er låst; Arbejds sætpunktet er låst
----	Den efterspurgte funktion er ikke disponibel

## ■ VISUALISERINGER

### TEMPERATUR I KØLERUM

Synlig med tændt instrument, under en normal funktion.

### TEMPERATUR FORDAMPERENHED (med tilstedeværende fordampereenhedssonde)

Tryk tasten DOWN (Ⓞ) i nogle sekunder, tryk derefter tasten UP (Ⓟ) eller DOWN (Ⓞ) for at vælge "Pb2".

Ved at trykke på tasten SET (Ⓢ) vil fordampereenhedens temperatur vises på displayet. Tryk igen SET (Ⓢ) eller ikke gøre noget for at komme tilbage til visualiseringen af kølerummets temperatur.

### TEMPERATUR KONDENSATOR (med tilstedeværende kondensatorsonde)

Tryk tasten DOWN (Ⓞ) i nogle sekunder, tryk derefter tasten UP (Ⓟ) eller DOWN (Ⓞ) for at vælge "Pb3".

Ved at trykke på tasten SET (Ⓢ) vises kondensatorens temperatur på displayet. Tryk igen SET (Ⓢ) eller ikke gøre noget for at komme tilbage til visualisering af kølerummets temperatur.

### TÆLLING AF KOMPRESSORS FUNKTIONSTIMER (kun på udgave HACCP+ historisk)

Tryk tasten DOWN (Ⓞ) i nogle sekunder, tryk derefter tasten UP (Ⓟ) eller DOWN (Ⓞ) for at vælge "CH".

Ved at trykke på tasten SET (Ⓢ) vises kompressorens funktionstimer på displayet. Tryk igen SET (Ⓢ) eller ikke gøre noget for at komme tilbage til visualisering af kølerummets temperatur.

## ■ INDSTILLING AF DATO OG TID (HVIS DEN FINDES)

■ Tryk tasten DOWN (Ⓞ) i nogle sekunder, og tryk derefter tasten UP (Ⓟ) eller DOWN (Ⓞ) for at vælge "rtc".

■ Tryk tasten SET (Ⓢ) på displayet vises i sekvens: "yy", "nn", "dd", "hh" og "nn" efterfulgt af 2 nummere der henholdsvis svarer til år, måned, dag, klokkeslæt og minutter, værdier der kan reguleres vha. tasterne UP (Ⓟ) eller DOWN (Ⓞ).

■ For at forlade proceduren skal man trykke ON/STAND-BY(Ⓡ).

## ■ HACCP FUNKTIONER

■ Instrumentet er i stand til at lagre op til 3 HACCP alarmer i hukommelsen (eller 9 i udgaven "HACCP EXTENDED").

■ Instrumentet leverer følgende informationer:

- den kritiske værdi
- datoen og klokkeslættet hvor alarmeren viste sig (HACCP EXTENDED udgave)
- alarmens varighed (fra 1 min til 99 h og 59 min, delvis hvis en alarm er i gang).

KODE	ALARMTYPE	KRITISK VÆRDI
AL	alarm minimum temperatur	kølerummets minimale temperatur under en alarm af denne type
AH	alarm maksimum temperatur	kølerummets maksimale temperatur under en alarm af denne type
Id	alarm indgang dørmikroafbryder	kølerummets maksimale temperatur under en alarm af denne type
PF	alarm afbrydelse af el-tilførsel	kølerummets temperatur ved genoprettelse af el-tilførsel (parameterAA)

■ "HACCP BASE" UDGAVE: Instrumentet ajourfører informationerne hvis den nye begivenhed er mere kritisk end den i hukommelsen eller hvis informationerne er blevet visualiseret. Hvis instrumentet er slukket, vil der ikke lagres nogen alarm i hukommelsen.

■ "HACCP EXTENDED" UDGAVE: den nyeste alarm overskriver den ældste. Hvis varigheden af alarmeren PFER således at den forårsager en fejl i uret, vil instrumentet ikke levere nogen information om alarmens varighed.

■ Når årsagen der har fremprovokeret alarmeren forsvinder, vil displayet genoprette den normale funktion, bortset fra alarm for afbrudt el-tilførsel der kræver en genoprettelse af den normale visualisering på en naturlig måde.

■ HACCP LED'et leverer informationer der vedrører HACCP alarmernes hukommelsestilstande: hvis det er tændt er alle informationer der vedrører HACCP alarmer ikke blevet visualiseret, hvis den blinker har instrumentet lagret mindst en ny HACCP alarm i hukommelsen.

## ■ VISUALISERING AF HACCP ALARMER

■ For at få adgang til proceduren:

- tryk tasten DOWN (Ⓞ) i 2 s: displayet visualiserer den første label.
- tryk og slip tasten UP (Ⓟ) eller DOWN (Ⓞ) tasten til at vælge "LS".
- tryk og slip tasten SET (Ⓢ): displayet vil visualisere en af koderne "AL", "AH", "Id".

■ For at vælge en alarm:

- tryk og slip tasten UP (Ⓟ) eller DOWN (Ⓞ) tasten (for eks. for at vælge "AH").

■ For at visualisere informationerne der vedrører alarmerne:

- tryk og slip tasten SET (Ⓢ): HACCP LED'et vil stoppe med at blinke og displayet visualiserer følgende informationer efter hinanden

INFO	BETYDNING
8,0	den kritiske værdi er på 8,0 °C/8 °F
StA #	displayet vil visualisere datoen og klokkeslættet hvor alarmeren viste sig
y07 #	alarmeren viste sig i 2007 (fortsætter...)
n03 #	alarmeren viste sig i marts måned (fortsætter...)
d26 #	alarmeren viste sig d. 26 marts 2007
h16 #	alarmeren viste sig kl. 16 (fortsætter...)
n30 #	alarmeren viste sig kl. 16.30
Dur	displayet vil vise alarmens varighed
h01	alarmeren har varet 1 h (fortsætter ...)
n15	alarmeren har varet 1 h og 15 min
AH3	den valgte alarm

■ For at forlade informationssekvensen:

- tryk og slip tasten ON/STAND-BY(Ⓡ): displayet visualiserer den valgte alarm (i eksemplet "AH3").

■ For at forlade proceduren:

- forlad informationssekvensen
- tryk og slip tasten UP (Ⓟ) eller tasten DOWN (Ⓞ) indtil at displayet visualiserer kølerummets temperatur eller ikke gøre noget i 60 s. Alternativt kan man forlade informationssekvensen
- tryk og slip tasten ON/STAND-BY(Ⓡ).

■ Hvis instrumentet ikke har nogen alarm i hukommelsen, vil label "LS" ikke blive visualiseret.

## ■ SLETTESE AF HACCP ALARMER

- Hold tasten DOWN (Ⓞ) trykket i 2 sek.: displayet vil visualisere den første disponible label.

- Tryk tasten UP (Ⓟ) eller DOWN (Ⓞ) for at vælge "rLS".

- Tryk tasten SET (Ⓢ).

- tryk tasten UP (Ⓟ) eller DOWN (Ⓞ) indenfor 15 s for at indstille "149".

- Tryk tasten SET (Ⓢ) eller ikke gøre noget i 15 s: displayet visualiserer "----" blinkende i nogle sekunder og HACCP LED'et slukkes, hvorefter instrumentet vil forlade proceduren.

■ Hvis instrumentet ikke har nogen alarm i hukommelsen, vil label "rLS" ikke visualiseres.

## ■ Parametre og fejlsøgning

### ■ INDSTILLING AF PARAMETRE

#### For at få adgang til proceduren:

- tryk UP (⊕) og DOWN (⊖) i 4 s: displayet vil visualisere "PA"
- tryk SET (⊙)
- tryk UP (⊕) eller DOWN (⊖) indenfor 15 s for at indstille "-19"
- tryk SET (⊙) eller ikke gøre noget i 15 s
- tryk UP (⊕) og DOWN (⊖) i 4 s: displayet vil visualisere "SP"

#### For at vælge en parameter:

- tryk UP (⊕) o DOWN (⊖)

#### For at ændre en parameter:

- tryk SET (⊙)
- tryk UP (⊕) eller DOWN (⊖) indenfor 15 s
- tryk SET (⊙) eller ikke gøre noget i 15 s.

#### For at forlade proceduren:

- tryk UP (⊕) og DOWN (⊖) i 4 s eller ikke gøre noget i 60 s.

#### Afbryd instrumentets el-tilførsel efter ændringen.

### ■ ALARMER OG FEJL

KOD.	ALARMTYPE
<b>AFHJÆLPNING KONSEKVENSER</b>	
<b>iA</b>	<b>ALARM MULTIFUNKTIONEL INDGANG</b>
Kontrollér årsagerne til aktivering af indgangen / Se parameterne i5 og i6 <i>Effekt der er bestemt af parameter i5 / Alarm udgang aktiveret med u1=3</i>	
<b>iSd</b>	<b>ALARM PRESSOSTAT</b>
Kontrollér årsagerne til aktiveringen af indgangen / Se parameterne i5, i6, i7, i8 og i9 / Sluk og tænd igen instrumentet eller afbryd el-tilførslen <i>I regulatorer slukkes / Alarm udgang aktiveret med u1=3</i>	
<b>COH</b>	<b>ALARM OVEROPHEDET KONDENSATOR</b>
Kontrollér kondensatorens temperatur / Se parameter C6 <i>Alarm udgang aktiveret med u1=3</i>	
<b>CSd</b>	<b>ALARM LÅST KOMPRESSOR</b>
Kontrollér kondensatorens temp. / Se parameter C7 / Sluk og tænd igen instrumentet: hvis kondensatorens temp. ved gentænding er > end par. C7, vil det være nødvendigt at afbryde el-tilførslen og gøre kondensatoren ren <i>Fordamperenhedens kompressor og ventilator slukkes / Alarm udgang aktiveret med u1=3</i>	
<b>Pr1</b>	<b>FEJL KØLERUMSSONDE</b>
Kontrollér sondens intakthed og tjek instrument-sonde forbindelsen; kontrollér kølerummets temperatur <i>Kompressorens aktivitet vil afhænge af parameterne C4 og C5</i>	
<b>Pr2</b>	<b>FEJL FORDAMPERENHEDSSONDE</b>
Samme som i forrige tilfælde men relaterende til fordamperenhedens sonde <i>hvis parameter P3 er indstillet på 1, vil afrimningen være i den tid der er bestemt af parameter d3; hvis parameter P3 er indstillet på 1 og parameter d8 er indstillet på 2, vil instrumentet fungere som hvis parameter d8 var indstillet på 0; hvis parameter F0 er indstillet på 3 eller 4, vil instrumentet fungere som hvis parameteren var indstillet på 2.</i>	
<b>Pr3</b>	<b>FEJL KONDENSATORSONDE</b>
Kontrollér sondetype / Kontrollér sondens intakthed / Kontrollér forb. instrument-sonde / Kontrollér kondensatorsondens temperatur <i>Alarm overophedet kondensator ("COH") vil aldrig blive aktiveret / Alarm låst kompressor ("CSd") vil aldrig blive aktiveret / Alarm udgang aktiveret med u1=3</i>	
<b>rtc</b>	<b>FEJL UR</b>
Indstil på ny dato og klokkeslæt <i>Afrimning med interval med d8=3 / HACCP vil ikke give informationer om datoen og klokkeslættet hvor alarmer viste sig / Energy Saving funktionen er ikke disponibel i reel tid / Aktiveret alarm udgang med u1=3</i>	

Når årsagen er løst, der har forårsaget alarmer, vil instrumentet genoprette sin normale funktion, bortset fra følgende alarmer:

- "PF" - tryk en hvilken som helst taste;
- "iSd" - sluk instrumentet eller afbryd el-tilførslen
- "CSd" - sluk instrumentet eller afbryd el-tilførslen

### ■ FEJL

Hvis apparatet skulle fungere forkert, skal man kontrollere følgende liste for at tjekke om det er muligt at sætte det i funktion uden et assistanceindgreb; det er underforstået at det der nævnes ikke fuldstændigt dækker hele rækken af muligheder.

■ **Et sikkerhedsanordningsindgreb er tegn på en funktionsanomali; inden man genopretter funktionen skal man tjekke og fjerne årsagen.**

■ Hvis fejlen vedvarer, skal man henvende sig til en teknisk assistance, ved samtidig at huske at signalere defektens type, kode og apparatets matrikelnummer som man kan se på typeskiltet der findes inden i apparatet.

PROBLEM	
	Mulig årsag
	Indgreb
<b>1</b>	<b>APPARATET STARTER IKKE</b>
1.1	Apparatet er ikke korrekt tilsluttet strømforsyningen. Kontrollér at stikket er korrekt sat i strømudtaget
<b>2</b>	<b>KOMPRESSOREN STOPPER KUN SJÆLDENT</b>
2.1	Lokalets temperatur er for høj Luft lokalet ud ind imellem
2.2	Køleskabets kondensator er snavset Kontrollér den og gør den grundigt ren og med regelmæssige mellemrum.
2.3	Der er for lidt kølemiddel Henvend Dem til et kompetent assistancecenter for at finde udslippene og foretag en genopladning
2.4	Dørens/dørenes tætninger er ueffektive Hvis funktionen ikke kan genoprettes, skal man henvende sig til et kompetent assistancecenter for en eventuel udskiftning
2.5	Fordamperenheden pakkes ind Kom ikke varme fødevarer og med et stort vandindhold og afrim på manuel måde hvis det skulle være nødvendigt
2.6	Ventilatormotoren fungerer ikke korrekt Henvend Dem til et kompetent assistancecenter for en eventuel udskiftning
<b>3</b>	<b>OVERLØB AF SELVFORDAMPNINGENS KAR</b>
3.1	Hyppig indførsel af varme fødevarer der har et stort vandindhold Indfør ikke varme fødevarer med et stort vandindhold
3.2	For hyppige åbninger af døre og/eller skuffer Vær forsigtig med hvorledes apparatet bruges
<b>4</b>	<b>UTILSTRÆKKELIG TEMPERATUR I KØLERUM</b>
4.1	Køleskabets kondensator er snavset Kontrollér den og gør den grundigt ren og med regelmæssige mellemrum.
4.2	For ringe udluftning i området i nærheden af det tekniske rum Fjern eventuelle forhindringer.
4.3	Indgang af varm luft i kølerummet Kontrollér at døren lukkes korrekt og at tætningen virker. Hvis det ikke er muligt at genoprette funktionen, skal man henvende sig til et kompetent assistancecenter for en eventuel udskiftning og regulering
4.4	Fordamperenheden er indpakket Foretag en manuel afrimning

## ■ Rengøring, vedligeholdelse

DE FØLGENDE ADVARSLER ER ISÆR VIGTIGE I TILFÆLDE HVOR KØLEVÆSKEN DER BRUGES ER AF TYPEN R290

(se reference 13 på side 2 i manualen og apparatets typeskilt)



HOLD VENTILATIONSÅBNINGERNE FRIE PÅ APPARATETS HYLSTER ELLER I INDBYGNINGSSTRUKTUREN.

BRUG IKKE MEKANISKE ANORDNINGER ELLER ANDRE MIDLER TIL AT ACCELERERE AFRIMNINGSPROCESSEN END DEM DER ANBEFALES AF FABRIKANTEN.

BESKAD IKKE KØLEKREDSLØBET

BRUG IKKE ELEKTRISKE APPARATER INDEN I APPARATETS RUM TIL OPBEVARING AF DYBFROSNE FØDEVARER, HVIS DISSE IKKE ER AF TYPEN SOM ANBEFALES AF FABRIKANTEN

- Dette afsnit er dedikeret slutbrugeren og er meget vigtig for apparatets regulære funktion gennem tiden.
- Få operationer der foretages omhyggeligt og regelmæssigt kan forhindre at man skulle få brug for et specialiseret personales indgreb.
- Operationerne der skal foretages kræver ikke nogle specielle tekniske kundskaber.

### VIGTIGT



INDEN MAN STARTER ENHVER VEDLIGEHOLDELSSES- ELLER RENGØRINGSOPERATION PÅ APPARATET SKAL MAN FRAKOBLE DET EL-TILFØRSLÉN.

SKYL IKKE APPARATET MED DIREKTE VANDSPRØJT ELLER MED HØJTRYK.

UNDGÅ AT RETTE VANDET MOD DE ELEKTRISKE DELE.

## ■ RENGØRING

- Nødvendigheden for at gøre apparatet rent afhænger hovedsageligt af hvor hyppigt det bruges. Observer bruget og programmer den nødvendige rengøring.
- Man skal bruge et neutralt eller let basisk rensmiddel til intern og ekstern rengøring.  
Til rengøring af tætningerne skal man bruge et neutralt produkt på vandbasis, der normalt bruges i hjemmet.  
**MAN SKAL IKKE FJERNE TÆTNINGERNE NÅR MAN GØR RENT!** Det anbefales regelmæssigt at gøre rent indvendigt med et desinficerende middel. Urenheder kan fjernes med en fugtig klud. Ved at tage hylderne ud gør man rengøringen indeni nemmere.
- Brug aldrig metalgenstande til apparatets rengøring; det kunne tage skader af det.
- For at gøre grundigt rent indvendigt skal man fjerne risternes holdere.

### VIGTIGT

APPARATERNE ER LAVET AF STÅL DER ER BESTANDIGT MOD KORROSION FRA NORMALT BRUG.

UNDGÅ BRUG AF AGGRESSIVE RENSEMIDLER ELLER RENGØRINGSSYSTEMER DER KUNNE KOMPROMITTERE INTEGRITETEN.

## ■ ORDINÆR VEDLIGEHOLDELSE

### KONDENSATORBATTERI

Det er vigtigt at batteriet er i stand til at kunne yde den maksimale varmeveksling

- Fjern vha. en støvsuger, en pensel eller en børste (ikke i metal) alle urenheder såsom papir og støv der kunne aflejres på batteriets overflade ved samtid at undgå at bøje eller beskadige ventilatormotorens vinger eller blade.  
Hvis der findes et filtreringspanel, skal man fjerne det og rengøre det. Ved slut skal man igen stille det i startposition. Hvis den er beskadiget eller tilstoppet, skal man bede om en reservedel og skifte den ud.

Hvis disse normer ikke overholdes kunne der opstå alvorlige skader på kølekredsløbet eller på produkter der findes i apparatet.

### DØRTÆTNINGER

Kontrollér at dørenes tætninger er intakte: det er fundamentalt vigtigt at der garanteres en perfekt tætning.

### FØDELEDNING

- Kontrollér at fødeledningen der forbinder apparatet til strømodtaget ikke viser tegn på sprækker, revner eller ændringer der kunne kompromittere isoleringen. Hvis fødeledningen er beskadiget, skal den udskiftes af fabrikanten eller en teknisk assistance eller under alle omstændigheder af en person med lignende kvalifikation. En beskadiget ledning kunne være årsag til brand, elektrisk stød eller ulykker.

## ■ LANGVARIGT STOP

I tilfælde af forlænget inaktivitet skal man foretage procedurerne som følgende specificeres:

Sluk apparatet og træk fødeledningen ud;

Tøm apparatet og gå videre med rengøring som beskrevet i afsnittet RENGØRING.

Lad dørene stå halvåbne for at undgå at der dannes dårlige lugte. Beskyt kompressorgruppen mod støv .

## ■ UDSKIFTNING AF PÆRE [ BORTSET FRA MODELLER MED GLASDØRE ]

For at skifte pæren ud er det nødvendigt at følge disse instruktioner (pærens type findes på en klæbeetikette):

- Sluk apparatet og træk stikket ud til strømtilførslen;
- Åbn døren og fjern pærens beskyttelsesglas;
- Skru pæren af der findes indeni instrumentbrættet og skift den ud med en ny med samme karakteristisk;
- Sæt beskyttelsesglasset på igen.

## ■ MAKSIMAL LAST PÅ DE MEDLEVEREDE RISTER (HVOR DE FINDES)



RISTERNE DER MEDLEVERES ER EGNET TIL AT KUNNE KLARE HVER EN MAKSIMAL VÆGT PÅ 50 kg. VÆGTEN SKAL FORDELES PÅ EN ENSARTET MÅDE PÅ RISTEN, OG STILLES SÅLEDES AT APPARATETS VENTILERING IKKE FORHINDRES.

## ■ Описание функционирования, получение и распаковка

### ■ ПРЕДУСМОТРЕННОЕ ИСПОЛЬЗОВАНИЕ

- Эти устройства предназначены для установки в помещении и должны использоваться исключительно для хранения продуктов питания и напитков.
- Модели для хранения (низкая температура) были разработаны только для хранения предварительно замороженной продукции.
- Не предусмотрено использование аппарата лицами (в том числе детьми) с ограниченными психическими и моторными способностями либо при отсутствии опыта и знаний, за исключением случаев, когда обеспечивается надзор и инструктаж по использованию аппарата со стороны ответственного за их безопасность.
- Необходимо следить, чтобы дети не играли с аппаратом.
- Никогда не ставить горячие жидкости или продукты питания, никогда не заполнять контейнеры с крышкой до самого верха.
- Никогда не ставить в охлажденный отсек газированные напитки.  
они могут взорваться.
- Во всех агрегатах имеются поверхности, покрывающиеся льдом. В зависимости от модели, этот лед может быть удален автоматически (автоматическое оттаивание), либо вручную. Не пользуйтесь какими-либо механическими или другими средствами для принудительного ускорения процесса размораживания. Можно непоправимо повредить аппаратуру.
- Изготовитель снимает с себя всю ответственность с последующим аннулированием гарантии в случае внесения модификаций в электрическую и / или механическую систему.

### ■ ПРОВЕРКА ПРИ ПОЛУЧЕНИИ

Убедитесь в целостности аппарата при получении и полной комплектности всех его частей согласно заказу.

- В случае видимых повреждений немедленно указать в транспортном документе обнаруженное повреждение, написав: "ВОЗВРАТ с оговоркой ВВИДУ ОЧЕВИДНЫХ ПОВРЕЖДЕНИЙ НА УПАКОВКЕ."



ВСЕ УКАЗАННЫЕ НИЖЕ ОПЕРАЦИИ ДОЛЖНЫ СОБЛЮДАТЬСЯ В СООТВЕТСТВИИ С ДЕЙСТВУЮЩИМИ ПРАВИЛАМИ БЕЗОПАСНОСТИ, КАК В ОТНОШЕНИИ ОБОРУДОВАНИЯ, ТАК И В ОТНОШЕНИИ ПОРЯДКА ЭКСПЛУАТАЦИИ.



ПЕРЕД НАЧАЛОМ ПОГРУЗОЧНО-РАЗГРУЗОЧНЫХ РАБОТ УБЕДИТЕСЬ В ТОМ, ЧТО ГРУЗОПОДЪЕМНОСТЬ ПОГРУЗОЧНОГО СРЕДСТВА ДОСТАТОЧНА ДЛЯ ВЕСА АГРЕГАТА.

### ■ ПОГРУЗКА-РАЗГРУЗКА

ПОГРУЗКА-РАЗГРУЗКА с помощью ЭЛЕКТРОПОГРУЗЧИКА или ПОДОБНЫХ СРЕДСТВ

Установить вилы спереди или сзади деревянной платформы агрегата. Поднимать, убедившись в устойчивости груза.



ВО ВРЕМЯ ПЕРЕМЕЩЕНИЯ НЕ ОПРОКИДЫВАТЬ. ЕСЛИ ПЕРЕВОЗКА ДОЛЖНА БЫТЬ ВЫПОЛНЕНА НЕ В РАБОЧЕЙ ПОЗИЦИИ, ТО ПЕРЕД ЗАПУСКОМ В



РАБОТУ ДОЛЖНО ПРОЙТИ НЕ МЕНЕЕ 2 ЧАСОВ.

ХРАНИТЬ В СУХОМ МЕСТЕ  
КАТЕГОРИЧЕСКИ ЗАПРЕЩАЕТСЯ УСТАНОВКА  
НА АГРЕГАТ ДРУГИХ ПРЕДМЕТОВ

### ■ УДАЛЕНИЕ УПАКОВКИ

Снять защитную оболочку без использования инструментов, так как они могут повредить поверхность прибора.

Поднять прибор таким образом, чтобы снять с опорной платформы и установить на пол, на выбранную позицию.

Хранить упаковочный материал в недоступном для детей месте, как потенциально опасный.

Утилизировать упаковочный материал, отправив его на специализированное предприятие (руководствоваться действующими правилами).

- Убедитесь, что серийный номер тот же, что и указанный в транспортном документе.

### ■ ОСТАТОЧНЫХ РИСКОВ

- Оборудование выполнено и разработано для обеспечения безопасности и здоровья пользователя, на нём не опасных углов, режущих поверхностей или выступающих элементов. Стабильность гарантируется и с открытыми дверцами, в любом случае, запрещено висеть на дверях.
- На оборудовании с выдвигающимися ящиками, запрещено открывать более одного ящика за раз или садится на выдвинутый ящик, он может опрокинуться, а оборудованию может быть нанесен урон.
- Примечание: На оборудовании с застеклёнными дверцами, не выдвигать одновременно более одной решётки или корзины, стабильность оборудования может быть под угрозой.
- Если оборудование на колёсиках, при его перемещении, не выполняйте резки толчков, чтобы оно не опрокинулось, будьте осторожны, нет ли неровностей на полу.
- БЛОКИРОВАТЬ КОЛЁСА С ПОМОЩЬЮ СПЕЦИАЛЬНЫХ ТОРМОЗОВ.

### ■ УРОВЕНЬ ШУМА

- А-взвешенный уровень шума на рабочих местах НЕ превышает 70 дБ (А).

### ■ ВЫВОД ИЗ ЭКСПЛУАТАЦИИ

- Наше оборудование содержит охлаждающую жидкость, в соответствии с Европейским регламентом ЕС 2037/2000 от 29 июня 2000 г., указанным на сопроводительной табличке; кроме того, оборудование состоит из частей и материалов многократного пользования или пригодных для утилизации. Таким образом, по окончании срока службы оборудования необходимо передать его в центры экологической утилизации. Снять дверь с тем, чтобы быть уверенным, что внутри ничего не осталось.
- Это оборудование не должно выбрасываться вместе с муниципальными отходами и ломом.
- Следует избегать повреждения холодильного контура.



СОБЛЮДАТЬ ДЕЙСТВУЮЩИЕ МЕСТНЫЕ ЗАКОНЫ В ОТНОШЕНИИ ОПРАВКИ НА ПЕРЕРАБОТКУ ТАКОГО РОДА ОБОРУДОВАНИЯ.



## ■ Ввод в эксплуатацию

### ВАЖНО



**ПЕРЕД ПОДКЛЮЧЕНИЕМ УСТРОЙСТВА УБЕДИТЕСЬ В ТОМ, ЧТО ДАННЫЕ НА ТАБЛИЧКЕ СООТВЕТСТВУЮТ ХАРАКТЕРИСТИКАМ СЕТИ ЭЛЕКТРОСНАБЖЕНИЯ. ТАБЛИЧКА С ЭЛЕКТРИЧЕСКИМИ ХАРАКТЕРИСТИКАМИ, НЕОБХОДИМЫМИ ДЛЯ УСТАНОВКИ ОБОРУДОВАНИЯ, РАСПОЛОЖЕНА В ВЕРХНЕЙ ПРАВОЙ ЧАСТИ ПЕРЕДНЕЙ ПАНЕЛИ ИЛИ НА ПРАВОЙ СТОРОНЕ КАМЕРЫ.**

Неправильное электропитание может стать причиной пожара, удара электрическим током или несчастного случая.

**УСТАНОВКА ДОЛЖНА ПРОВОДИТЬСЯ В СООТВЕТСТВИИ С УКАЗАНИЯМИ, СОДЕРЖАЩИМИСЯ В ЭТОМ РАЗДЕЛЕ, КВАЛИФИЦИРОВАННЫМ ПЕРСОНАЛОМ.**

**БЕЗОПАСНОСТЬ ЭЛЕКТРООБОРУДОВАНИЯ ГАРАНТИРУЕТСЯ ТОЛЬКО В ТОМ СЛУЧАЕ, КОГДА ОНО ПРАВИЛЬНО ПОДСОЕДИНЕНО К ЭФФЕКТИВНОЙ СИСТЕМЕ ЗАЗЕМЛЕНИЯ, ОТВЕЧАЮЩЕЙ ТРЕБОВАНИЯМ ПРАВИЛ БЕЗОПАСНОСТИ ЭЛЕКТРООБОРУДОВАНИЯ.**

Неправильно выполненное заземление может стать причиной короткого замыкания или удара электрическим током при неполадках..



**КРОМЕ ТОГО, АГРЕГАТ ДОЛЖЕН БЫТЬ ВКЛЮЧЕН В ЭКВИПОТЕНЦИАЛЬНУЮ СИСТЕМУ, ЭФФЕКТИВНОСТЬ КОТОРОЙ ДОЛЖНА СООТВЕТСТВОВАТЬ ДЕЙСТВУЮЩИМ НОРМАТИВАМ.**

**ЗАПРЕЩАЕТСЯ ИСПОЛЬЗОВАНИЕ АДАПТЕРОВ, МНОГОКОНТАКТНЫХ РОЗЕТОК И/ИЛИ УДЛИНИТЕЛЕЙ.**

### ■ ОБЩИЕ ПРЕДВАРИТЕЛЬНЫЕ ПРОВЕРКИ

- Убедитесь, что опорная поверхность ровная и пригодна для веса агрегата. Позиционировать агрегат с помощью нивелира. Отрегулировать опорные ножки, добиваясь идеального выравнивания. При необходимости воспользуйтесь уровнем. Рекомендуемое максимальное отклонение от горизонтальной плоскости составляет +/-0,5 градуса. Оборудование с колёсиками не может быть выровнено, поэтому проверьте, что опорная поверхность плоская и ровная. Все ножки должны опираться на пол. Это позволит обеспечить надлежащее функционирование дверей.
- Чтобы не образовывался конденсат или лёд, рекомендуется оставлять вокруг оборудования не менее 5 см. свободного пространства. Необходимо, чтобы перед моделями с конденсатором оставалось не менее 50 см. свободного пространства впереди (столы) или сверху (шкафы);
- Не устанавливайте устройство вблизи источников тепла (например, печей, обогревателей, и т.д.) или в месте с прямым воздействием солнечных лучей и, в случае необходимости, изолировать агрегат от любого источника тепла, передаваемого от стены или от земли.
- При перемещении оборудования, не запускать его сразу в работу. Прежде всего, это касается тех случаев, когда оборудование перемещалось не в рабочей позиции, тогда, перед запуском в работу должно пройти не менее 2 часов.
- Снять защитный пластик с наружной поверхности. Промыть внутри теплой водой с мягким мылом.
- Ключи для закрытия (если таковые имеются) не должны находиться в пределах досягаемости детей.

### ■ ПРЕДВАРИТЕЛЬНЫЕ ПРОВЕРКИ ЭЛЕКТРООБОРУДОВАНИЯ

- Значение напряжения и частоты в сети должно соответствовать значению на табличке агрегата (пункт 6 параграфа "Технические данные").  
Неправильное электропитание может стать причиной пожара, удара электрическим током или несчастного случая
- Установить выше от розетки предохранитель 16А.
- Установить главный выключатель, к которому будет подключен штекер силового кабеля, в положение ВЫКЛ.

ПОДКЛЮЧЕНИЕ ДАННОГО АППАРАТА К СЕТИ ПИТАНИЯ ОСУЩЕСТВЛЯЕТСЯ С ПОМОЩЬЮ ВИЛКИ ИЗ КОМПЛЕКТА ПОСТАВКИ.



ПОСЛЕ УСТАНОВКИ АППАРАТА ДОСТУП К ВИЛКЕ ДОЛЖЕН БЫТЬ СВОБОДНЫМ

- Проверить совместимость розетки со штекер устройства. При необходимости заменить розетку на другой, подходящий тип, поручив эту операцию профессионально обученному персоналу, который должен также проследить, чтобы сечение кабеля соответствовало потребляемой мощности оборудования.
- После внимательного выполнения вышеуказанного можно запускать устройство:
- Установить переключатель, к которому подключен штекер кабеля, в положение ВКЛ.
- Нажать на кнопку "ON/STAND BY" (ВКЛ/РЕЖИМ ОЖИДАНИЯ) на панели управления, для включения прибора.  
Через 1 минуту включается компрессор и внутренняя температура устанавливается на заданное значение, определенное на заводе.
- В отношении оперативных мероприятий, связанные с изменением ЗАДАНЫХ ЗАВОДСКИХ НАСТРОЕК, см. раздел ПАНЕЛЬ УПРАВЛЕНИЯ.



НЕ ЗАГРУЖАТЬ АГРЕГАТ ДО ТЕХ ПОР, ПОКА ТЕМПЕРАТУРА НЕ ДОСТИГНЕТ ЗАДАННОГО ЗНАЧЕНИЯ. НИКОГДА НЕ ПРЕВЫШАТЬ ПРЕДЕЛЬНУЮ НАГРУЗКУ, УКАЗАННУЮ НА ТАБЛИЧКЕ ВНУТРИ КАМЕРЫ.

### ■ ФУНКЦИОНИРОВАНИЕ

- Надлежащее хранение продуктов питания является важным фактором в гигиене и безопасности производства продуктов питания, а также повышает эффективность гастрономического производства и уменьшает потребление энергии. Соблюдать данные ниже инструкции для получения максимальной отдачи оборудования.
- Продукты должны всегда храниться на полках; не складывать продукты на дно камеры.

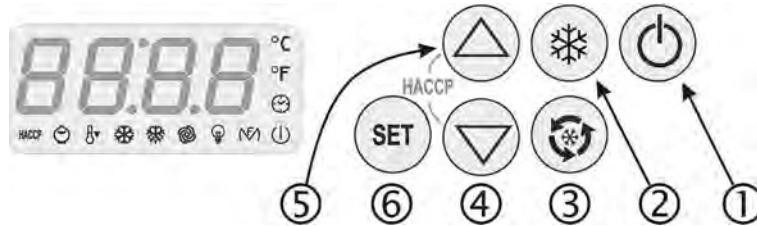


ЗАГРУЗКА ПРОДУКТОВ ДОЛЖНА ПРОИСХОДИТЬ В ТАКОМ КОЛИЧЕСТВЕ, ЧТОБЫ ГАРАНТИРОВАТЬ СВОБОДНУЮ ЦИРКУЛЯЦИЮ ВОЗДУХА.

ОСТАВЛЯТЬ МЕЖДУ ПРОДУКТАМИ СВОБОДНОЕ ПРОСТРАНСТВО, РАСПОЛАГАТЬ ИХ НА НЕКОТОРОМ РАССТОЯНИИ ОТ СТЕНОК.

ПРИ НЕОБХОДИМОСТИ, ИЗМЕНИТЬ РАССТОЯНИЕ МЕЖДУ ПОЛКАМИ

## ■ Панель управления



### ■ КЛАВИАТУРА И СВЯЗАННЫЕ С НЕЙ ФУНКЦИИ

- Держа одновременно нажатыми кнопку и кнопку в течении нескольких секунд, клавиатура блокируется, на дисплее высветится "Loc".
- При их повторном нажатии, клавиатура разблокируется: на дисплее появляется "UnL".

#### ON/STAND BY (ВКЛ/ОЖИДАНИЕ)

Нажав на эту кнопку в течении нескольких секунд, аппарат включится/выключится.

#### РАЗМОРАЖИВАНИЕ В РУЧНОМ РЕЖИМЕ

Нажав на кнопку в течении нескольких секунд, активируется размораживание в ручном режиме, если это позволяет температура испарителя, и при условии, если не задействована функция Переохлаждение.

Если интервал размораживания заканчивается, когда ещё идёт Переохлаждение, размораживание активируется по окончании этой функции.

#### ОСВЕЩЕНИЕ КАМЕРЫ / ПОСТОЯННЫЙ ХОЛОД (при наличии)

Нажав на вспомогательную кнопку освещение камеры включается/выключается вручную (КРОМЕ МОДЕЛЕЙ СО СТЕКЛЯННОЙ ДВЕРЬЮ).

**При наличии:** При нажатии и удерживании этой кнопки в течение 4 секунд, оборудование подготавливается к переходу на интенсивный режим в течение производственной стадии и загрузки холодильника.

Последнее заданное время появляется на дисплее, можно изменить его с помощью кнопок UP и DOWN (регулировка каждые 30 мин.). При повторном нажатии и удержании кнопки запускается цикл; включается размораживание (при необходимости), после чего компрессор начинает работать непрерывно в течение заданного времени, без дополнительного размораживания. На дисплее поочередно отображается оставшееся время и температура в холодильной камере. На этой стадии можно вновь нажать кнопку , чтобы изменить заданное время или прервать цикл, установив значение на "00:00" и снова нажав и удержав кнопку .

#### кнопка DOWN (ВНИЗ)

Позволяет уменьшить значение.

#### кнопка UP (ВВЕРХ)

Пробегает по пунктам меню и увеличивает значения. Нажав в течение нескольких секунд, активирует функцию для низкой относительной влажности (UR%) (на дисплее появится "rhL") или для высокой (на дисплее появится "rhH") на 10 сек. Если этой функции не имеется, при нажатии на кнопку на дисплее появится "----".

#### SET POINT (ЗАДАНИЕ ЗНАЧЕНИЙ)

Даёт доступ к функции изменения установленных значений

### ■ ОТКЛЮЧЕНИЕ СИГНАЛА ЗУММЕРА

(ПРИ НАЛИЧИИ) Кратковременно нажать на любую кнопку.

### ■ УСТАНОВКА ЗАДАННЫХ ЗНАЧЕНИЙ

- Нажать на кнопку SET(). светодиодный индикатор компрессора мигает.
- Нажать на кнопку UP или на кнопку DOWN в течении 15 сек.
- Нажать на кнопку SET() или не производить операцию в течении 15 сек., светодиодный индикатор компрессора выключится, после чего прибор выйдет из процедуры.



**ЗАПРЕЩАЕТСЯ ОСУЩЕСТВЛЯТЬ ТЕХНИЧЕСКОЕ ОБСЛУЖИВАНИЕ ПРИ ВКЛЮЧЕННОМ ОБОРУДОВАНИИ ИЛИ ПРИ ОБОРУДОВАНИИ В СОСТОЯНИИ РЕЖИМА ОЖИДАНИЯ. ОТСОЕДИНИТЬ АГРЕГАТ ОТ ЭЛЕКТРОСЕТИ.**

### ■ ИНДИКАТОРЫ

СИД	ЗНАЧЕНИЕ
	ГОРИТ: Компрессор включён МИГАЕТ: Идёт изменение заданных значений работы Защита компрессора в действии
	ГОРИТ: Идёт разморозка МИГАЕТ: Запрошено размораживание, но с действующей защитой компрессора Стекание капель в действии Идёт разогревание охлаждающей жидкости
	ГОРИТ: Вентилятор испарителя включён МИГАЕТ: Остановка вентилятора испарителя в действии
	ГОРИТ: Освещение камеры включено в ручном режиме МИГАЕТ: Освещение камеры включено в автоматическом режиме
	ГОРИТ: Резисторы противозапотевающего эффекта будут включены Вспомогательный выход включён в ручном режиме Выход аварийных сигналов активирован Резисторы двери будут включены МИГАЕТ: Вспомогательный выход включён в ручном режиме
	ГОРИТ: Функция Переохлаждение в действии
	ГОРИТ: Аварийные сигналы или ошибка в действии
	ГОРИТ: Не вся информация по аварийным сигналам HACCP были показаны. МИГАЕТ: По крайней мере 1 новый авюсигнал был запомнен ВЫКЛЮЧЕН: Вся информация по аварийным сигналам была показана. Список аварийных сигналов HACCP был стёрт.
	ГОРИТ: Функция энергосбережения в действии
	ГОРИТ: Необходимо техобслуживание компрессора
	ГОРИТ: Единица измерения температуры - градусы Цельсия
	ГОРИТ: Единица измерения температуры - градусы Фарингейта
	ГОРИТ: Аппарат в состоянии ожидания

### ■ УКАЗАНИЯ

КОД	ЗНАЧЕНИЕ
rhL	Выбрана функция низкой относительной влажности
rhH	Выбрана функция для высокой относительной влажности
Loc	Клавиатура заблокирована / Заданные рабочие величины заблокированы
----	Запрошенное действие не доступно



**■ ОТОБРАЖЕНИЯ НА ЭКРАНЕ****ТЕМПЕРАТУРА КАМЕРЫ**

Видна при включённом приборе во время нормальной работы.

**ТЕМПЕРАТУРА ИСПАРИТЕЛЯ** (с датчиком испарителя в наличии)

Нажать на кнопку DOWN (4) в течение нескольких секунд, затем нажать на кнопку UP (5) или DOWN (4), чтобы выбрать "Pb2".

Нажав на кнопку SET (6) на дисплее появится значение температуры испарителя. Снова нажать на SET (6) или не производить операцию, чтобы вернуться к отображению температуры камеры.

**ТЕМПЕРАТУРА КОНДЕНСАТОРА** (с датчиком конденсатора в наличии)

Нажать на кнопку DOWN (4) в течение нескольких секунд, затем нажать на кнопку UP (5) или DOWN (4), чтобы выбрать "Pb3".

Нажав на кнопку SET (6) на дисплее появится значение температуры конденсатора. Снова нажать на SET (6) или не производить операцию, чтобы вернуться к отображению температуры камеры.

**ОПРЕДЕЛЕНИЕ ЧАСОВ РАБОТЫ КОМПРЕССОРА** (только для версии с НАССР + архив ист. данных)

Нажать на кнопку DOWN (4) в течение нескольких секунд, затем нажать на кнопку UP (5) или DOWN (4), чтобы выбрать "CH".

Нажав на кнопку SET (6) на дисплее появится количество рабочих часов компрессора. Снова нажать на SET (6) или не производить операцию, чтобы вернуться к отображению температуры камеры.

**■ УСТАНОВКА ДАТЫ И ВРЕМЕНИ (при наличии)**

■ Нажать на кнопку DOWN (4) в течение нескольких секунд, затем нажать на кнопку UP (5) или DOWN (4), чтобы выбрать "rtc".

■ Нажав на кнопку SET (6) на дисплее появятся в последовательности: "yy", "mm", "dd", "hh" и "mm" со следующими за ними 2 цифрами, что соответствуют году, месяцу, дню, часу и минутам, регулируемым нажатием кнопок UP (5) или DOWN (4).

■ Для выхода из процедуры нажать ON/STAND-BY (1).

**■ БАЗОВЫЕ ФУНКЦИИ НАССР (НАССР)**

■ Прибор в состоянии сохранять в памяти до 9 сигнализаций НАССР каждого типа, после чего более старые аварийные сигналы заменяются на более новые.

■ Прибор выдаёт следующую информацию:

- критическое значение
- дата и время срабатывания аварийного сигнала (если имеется rtc)
- длительность аварийного сигнала (от 1 мин. до 99 ч. и 59 мин., парциальное, если аварийный сигнал всё ещё в действии)

КОД	ТИП АВАРИИ	КРИТИЧЕСКОЕ ЗНАЧЕНИЕ
AL	аварийный сигнал минимальной температуры	минимальная температура камеры во время аварийного сигнала этого типа
AH	аварийный сигнал максимальной температуры	максимальная температура камеры во время аварийного сигнала этого типа
Id	аварийный сигнал микровыключателя двери	максимальная температура камеры во время аварийного сигнала этого типа
PF	аварийный сигнал прерывания электропитания	температура камеры в момент восстановления электропитания (пар. AA)

■ **БАЗОВАЯ ВЕРСИЯ НАССР:** Прибор обновляет информацию, если новое критическое значение превышает то, что занесено в память или при условии, если информация уже была просмотрена. Если прибор выключен, то никакой аварийный сигнал не заносится в память

■ **ВЕРСИЯ НАССР+ АРХИВ ИСТ. ДАННЫХ:** последний аварийный сигнал записывается на месте более старого. Если продолжительность аварийного сигнала "PF" такова, что это приводит к ошибке часового механизма, прибор не будет сообщать информацию о длительности аварийного сигнала.

■ После удаления причины аварийного сигнала, дисплей восстанавливает нормальное функционирование, за исключением аварийного сигнала прерывания электропитания, который требует восстановления нормального отображения естественным.

■ Светодиод НАССР выдаёт информацию о состоянии памяти о сигнализациях НАССР: если горит, то не была просмотрена вся информация об аварийных сигналах НАССР, если мигает, то в памяти сохранён хотя бы один новый аварийный сигнал НАССР.

**■ ПРОСМОТР ИНФОРМАЦИИ О СИГНАЛИЗАЦИИ НАССР**

■ Для получения доступа к процедуре:

- нажать на кнопку DOWN (4) в течение 2 сек.: на дисплее отобразится первая этикетка.

- нажать на кнопку UP (5) или DOWN (4) на кнопку, чтобы выбрать "LS".

- нажать и отпустить кнопку SET (6): на дисплее отобразится один из кодов "AL", "AH", "Id".

■ Для выбора аварийного сигнала:

- нажать на кнопку UP (5) или DOWN (4) на кнопку, (например, чтобы выбрать "AH")

■ Для просмотра информации, относительно аварийного сигнала:

- нажать и отпустить кнопку SET (6): светодиод НАССР перестанет мигать и на дисплее отобразится последовательно следующая информация (#-"НАССР EXTЕНДЕД" версии):

ИНФОРМ	ЗНАЧЕНИЕ
8,0	критическое значение - это 8,0 °C/8 °F
StA #	на дисплее скоро появятся дата и время появления аварийного сигнала
y07 #	аварийный сигнал произошёл в 2007 (продолжается...)
n03 #	аварийный сигнал произошёл в марте (продолжается...)
d26 #	аварийный сигнал произошёл 26 марта 2007
h16 #	аварийный сигнал произошёл в 16 (продолжается...)
n30 #	аварийный сигнал произошёл в 16 и 30
Dur	на дисплее скоро отобразится длительность аварийного сигнала
h01	аварийный сигнал длился 1 ч. (продолжается...)
n15	аварийный сигнал длился 1 ч. и 15 мин.
AH3	выбранный аварийный сигнал

■ Для выхода из последовательности информации:

- нажать и отпустить кнопку ON/STAND-BY (1): на дисплее отобразится выбранный аварийный сигнал (в примере - "AH3").

■ Для выхода из процедуры:

- выйти из последовательности информации

- нажать и отпустить кнопку UP (5) или кнопку DOWN (4) до тех пор, пока на дисплее не отобразится температура камеры или не производить операций в течение 60 сек.

■ Если у прибора в памяти нет никакого аварийного сигнала, этикетка "LS" не будет отображаться.

**■ СТИРАНИЕ СПИСКА АВАРИЙНОЙ СИГНАЛИЗАЦИИ НАССР**

- Держать нажатой кнопку DOWN (4) в течение 2 сек.: на дисплее отобразится первая доступная этикетка.

- Нажать на кнопку UP (5) или DOWN (4), чтобы выбрать "rLS".

- Нажать на кнопку SET (6).

- Нажать на кнопку UP (5) или DOWN (4) в течение 15 сек., чтобы задать "149".

- Нажать на кнопку SET (6) или не производить операций в течении 15 сек.: на дисплее отобразится мигающий в течение нескольких секунд "----", и светодиод НАССР выключится, после этого прибор выйдет из процедуры.

■ Если у прибора в памяти нет никакого аварийного сигнала, этикетка "rLS" не будет отображаться.

## ■ ПАРАМЕТРЫ И ПОИСК И УСТРАНЕНИЕ НЕИСПРАВНОСТЕЙ

### ■ ЗАДАНИЕ ПАРАМЕТРОВ

Чтобы получить доступ для выполнения процедуры:

- убедиться, что в данный момент не выполняются процедуры
- нажать UP (5) и DOWN (4) на 4 сек: на дисплее выводится "PA"
- нажать SET (6)
- нажать UP (5) или DOWN (4) на 15 сек. для установки "-19"
- нажать SET (6) или не работать 15 сек.
- нажать UP (5) и DOWN (4) на 4 сек: на дисплее выводится "SP".

Чтобы выбрать параметр:

- нажать UP (5) или DOWN (4)

Чтобы изменить параметр:

- нажать SET (6)
- нажать UP (5) или DOWN (4) на 15 сек.
- нажать SET (6) или не работать 15 сек.

Чтобы выйти из процедуры:

- нажать UP (5) и DOWN (4) на 4 сек. или не работать 60 сек.

Отключить питание от инструмента после изменения параметров.

### ■ АВАРИЙНЫЕ СИГНАЛЫ И ОШИБКИ

КОД	ТИП АВАРИИ
СПОСОБЫ УСТРАНЕНИЯ ПОСЛЕДСТВИЯ	
iA	<b>АВАРИЙНЫЙ СИГНАЛ МУЛЬТИФУНКЦИОНАЛЬНОГО ВХОДА</b> Проверить причины активации входа / Просмотреть параметры i5 и i6 <i>Устанавливается параметром i5 / Выход ав. сигнала активируется при u1=3</i>
iSd	<b>СИГНАЛ ТРЕВОГИ РЕЛЕ ДАВЛЕНИЯ</b> Проверить причины активации входа / Просмотреть параметры i5, i6, i7, i8 и i9 / Выключить и снова включить прибор или прервать электропитание <i>Регуляторы отключаются / Выход аварийного сигнала активируется при u1=3</i>
COH	<b>АВАРИЙНЫЙ СИГНАЛ ПЕРЕГРЕВА КОНДЕНСАТОРА</b> Проверить температуру конденсатора / Просмотреть параметр C6 <i>Выход аварийного сигнала активируется при u1=3</i>
Csd	<b>АВАРИЙНЫЙ СИГНАЛ БЛОКИРОВКИ КОМПРЕССОРА</b> Проверить температуру конденсатора / Просмотреть параметр C7 / Выключить и снова включить прибор: если при новом включении температура конденсатора снова > параметра C7, необходимо отключить электропитание и очистить конденсатор <i>Компрессор и вентилятор испарителя отключаются; Выход аварийного сигнала активируется при u1=3</i>
Pr1	<b>ОШИБКА ДАТЧИКА КАМЕРЫ</b> Проверить тип датчика / Проверить целостность датчика / Проверить подсоединение прибор-датчик / Проверить температуру камеры <i>Компрессор включён или выключен в течении 10 мин. / Размораживание не будет никогда активироваться / Выход аварийного сигнала активируется при u1=3</i>
Pr2	<b>ОШИБКА ДАТЧИКА ИСПАРИТЕЛЯ</b> Проверить тип датчика / Проверить целостность датчика / Проверить подсоединение прибор-датчик / Проверить температуру датчика испарителя <i>Размораживание активируется на 30 мин. при P3=1 / Размораживание с интервалами при P3=1 и d8=2 / Вентилятор испарителя функционирует параллельно с компрессором при F0=3 или 4 / Выход аварийного сигнала активируется при u1=3</i>
Pr3	<b>ОШИБКА ДАТЧИКА КОНДЕНСАТОРА</b> Проверить тип датчика / Проверить целостность датчика / Проверить подсоединение прибор-датчик / Проверить температуру датчика конденсатора <i>Аварийный сигнал перегрева конденсатора ("COH") никогда не будет активироваться / Аварийный сигнал блокировки конденсатора ("Csd") никогда не будет активироваться / Выход аварийного сигнала активируется при u1=3</i>
rtc	<b>ОШИБКА ЧАСОВОГО МЕХАНИЗМА</b> Установить снова значения даты и времени

*Размораживание с интервалами при d8=3 / HACCP не будет выдавать информацию о дате и времени, когда включается ав. сигнал / Функция энергосбережения не доступна в реальное время / Выход ав. сигнала активируется при u1=3*

Устранив причину аварийного сигнала, прибор восстанавливает нормальную работу, за исключением следующих аварийных сигналов, для которых необходимо:

- "PF" нажать любую кнопку;
- "iSd" отключить прибор или прервать электропитание
- "CSd" отключить прибор или прервать электропитание

### ■ НЕИСПРАВНОСТИ

В случае некачественного функционирования оборудования по следующему списку проверьте, что можно восстановить его функции без вмешательства сервисной службы; мы подчеркиваем, что описанные случаи не охватывают все потенциальные неисправности.

■ Вмешательство устройства безопасности указывает на аномалию в функционировании; перед восстановлением проверить и устранить причину

■ Если неисправность сохраняется, обратитесь в службу технической помощи, указав характер дефекта, код и серийный номер, указанные на табличке, расположенной внутри агрегата.

ПРОБЛЕМА	Возможная причина	Устранение
<b>1 АГРЕГАТ НЕ ЗАПУСКАЕТСЯ</b>		
1.1 Агрегат подключен неправильно		<i>Убедитесь, что штекер правильно вставлен в розетку</i>
<b>2 КОМПРЕССОР РЕДКО ОСТАНАВЛИВАЕТСЯ</b>		
2.1 Температура в помещении слишком высокая		<i>Регулярно проветривать комнату</i>
2.2 Конденсатор в холодильнике загрязнен		<i>Тщательно и регулярно проверять и очищать.</i>
2.3 Охлаждение слабое		<i>Обратитесь в авторизованный сервисный центр для выявления и устранения утечек и выполнения зарядки</i>
2.4 Прокладки дверей неэффективны		<i>Если невозможно восстановить функциональность, обратитесь в авторизованный сервисный центр на предмет замены</i>
2.5 Испаритель пакетируется		<i>Не ставить горячие продукты с высоким содержанием воды, при необходимости выполнить ручную разморозку</i>
2.6 Мотовентилятор работает некачественно		<i>Обратитесь в авторизованный сервисный центр на предмет возможной замены</i>
<b>3 ПЕРЕПОЛНЕНИЕ ПОДДОНА АВТОМАТ.ИСПАРЕНИЯ</b>		
3.1 Частый ввод горячих продуктов с высоким содержанием воды		<i>Не допускайте ввода горячей пищи с высоким содержанием воды</i>
3.2 Слишком частое открывание дверей и/или ящиков		<i>Следить за условиями использования оборудования</i>
<b>4 ТЕМПЕРАТУРА КАМЕРЫ НЕДОСТАТОЧНА</b>		
4.1 Конденсатор холодильника загрязнен		<i>Тщательно и регулярно проверять и очищать конденсатор.</i>
4.2 Плохая вентиляция рядом с техническим отсеком		<i>Удалить посторонние предметы</i>
4.3 Вход горячего воздуха в камеру		<i>Убедитесь в том, что дверь закрывается правильно и что прокладки функциональны. Если вы не можете восстановить их функциональность, обратитесь в авторизованный сервисный центр на предмет замены и регулировки</i>
4.4 Испаритель пакетируется		<i>Выполнить ручную разморозку</i>

## ■ Чистка, техобслуживание

**СЛЕДУЮЩИЕ ПРЕДУПРЕЖДЕНИЯ ЯВЛЯЮТСЯ ОСОБО ВАЖНЫМИ В СЛУЧАЕ, ЕСЛИ ИСПОЛЬЗУЕМЫЙ ЖИДКИЙ ХЛАДАГЕНТ ОТНОСИТСЯ К ТИПУ R290**

(см. п. 13 на стр. 2 настоящего руководства и техническую табличку на аппарате)



НЕ ЗАКРЫВАТЬ И ОСТАВЛЯТЬ СВОБОДНЫМИ ВЕНТИЛЯЦИОННЫЕ ОТВЕРСТИЯ В ЗАЩИТНОЙ ОБОЛОЧКЕ АППАРАТА ИЛИ ВО ВСТРАИВАЕМОЙ КОНСТРУКЦИИ.

НЕ ИСПОЛЬЗОВАТЬ МЕХАНИЧЕСКИЕ УСТРОЙСТВА ИЛИ ИНЫЕ СРЕДСТВА ДЛЯ УСКОРЕНИЯ ПРОЦЕССА РАЗМОРАЖИВАНИЯ, ОТЛИЧНЫЕ ОТ РЕКОМЕНДУЕМЫХ ПРОИЗВОДИТЕЛЕМ.

НЕ ПОВРЕЖДАТЬ ХОЛОДИЛЬНЫЙ КОНУТР.

НЕ ИСПОЛЬЗОВАТЬ ЭЛЕКТРОАППАРАТУРУ ВНУТРИ ОТДЕЛЕНИЙ ДЛЯ ХРАНЕНИЯ ЗАМОРОЖЕННОЙ ПРОДУКЦИИ В АППАРАТЕ, ЕСЛИ ТАКАЯ АППАРАТУРА НЕ РЕКОМЕНДОВАНА САМИМ ПРОИЗВОДИТЕЛЕМ

■ Этот раздел предназначен для конечного пользователя, очень важно для регулировки функционирования аппарата во времени.

■ Несколько правильно и регулярно выполняемых операций могут уберечь вас от необходимости использования специализированного персонала.

■ Эти операции не требуют специальных технических знаний

### ВАЖНО



ПРЕЖДЕ ЧЕМ ВЫПОЛНЯТЬ КАКИЕ-ЛИБО ОПЕРАЦИИ ПО ТЕХНИЧЕСКОМУ ОБСЛУЖИВАНИЮ ИЛИ ПО ЧИСТКЕ АППАРАТА, НЕОБХОДИМО ОТКЛЮЧИТЬ ЕГО ОТ ЭЛЕКТРОСЕТИ.

НЕ МЫТЬ АППАРАТ ПРЯМЫМИ СТРУЯМИ ВОДЫ И ПОД ВЫСОКИМ ДАВЛЕНИЕМ.

НЕ ДОПУСКАТЬ ПОПАДАНИЯ ВОДЫ НА ЭЛЕКТРИЧЕСКИЕ ЧАСТИ.

## ■ ЧИСТКА

■ Необходимость проведения чистки оборудования в значительной степени зависит от частоты использования. Необходимо правильно использовать аппарат и соблюдать график чистки.

■ Для очистки внутри и снаружи, использовать нейтральное моющее средство на водной основе, обычно используемое в быту. ВО ВРЕМЯ ЧИСТКИ НИКОГДА НЕ УДАЛЯТЬ ПРОКЛАДКИ. Желательно время от времени очищать внутреннюю часть дезинфицирующим средством. Загрязнения могут быть удалены с влажной тряпкой. Снятие полок облегчает чистку внутренней части.

■ Никогда не пользуйтесь металлическими предметами для очистки оборудования, во избежание его повреждения.

■ Для более тщательной внутренней очистки необходимо снять направляющие для решеток.

### ВАЖНО

ПРИБОРЫ ИЗГОТОВЛЕННЫ ИЗ НЕРЖАВЕЮЩЕЙ СТАЛИ, УСТОЙЧИВОЙ К КОРРОЗИИ, ВОЗНИКАЮЩЕЙ ПРИ НОРМАЛЬНОМ ИСПОЛЬЗОВАНИИ.

НЕ ИСПОЛЬЗОВАТЬ МОУЩИЕ СРЕДСТВА ИЛИ АГРЕССИВНЫЕ СИСТЕМЫ ОЧИСТКИ, КОТОРЫЕ МОГУТ НАРУШИТЬ ЦЕЛОСТНОСТЬ ОБОРУДОВАНИЯ.

## ■ ПЛАНОВОЕ ТЕХОБСЛУЖИВАНИЕ

### ЗМЕЕВИК КОНДЕНСАТОРА

Важно, чтобы змеевик мог обеспечивать максимально теплообмен.

■ С помощью пылесоса, кисточки или неметаллической щетки удалить всю грязь и пыль, осевшие на поверхности теплообменника, чтобы избежать изгиба или повреждения пластинок или лопастей мотовентилятора.

■ В случае фильтрующей панели, нужно ее снять и прочистить. Затем установить в исходное положение. Если панель повреждена или слишком засорена, заказать новую и произвести замену.

Несоблюдение этих правил может привести к тяжёлым повреждениям холодильного контура или к порче продуктов, находящихся внутри оборудования.

### ПРОКЛАДКИ ДВЕРИ

Проверить целостность прокладок в двери: это имеет первостепенное значение для обеспечения идеальной герметичности.

### СИЛОВОЙ КАБЕЛЬ

■ Убедитесь, что силовой кабель, который подсоединяет агрегат к розетке, не имеет трещин или повреждений, что может нарушить изоляцию. Обратитесь в авторизованный сервисный центр, если возникнет необходимость в ремонте. Поврежденный шнур питания имеет право заменять производитель или уполномоченная им сервисная служба или, в любом случае, специалисты с подобной квалификацией.

Поврежденный электрический кабель может стать причиной пожара, удара электрическим током или несчастного случая.

## ■ ПРОДОЛЖИТЕЛЬНЫЙ ПРОСТОЙ

В случае длительной неактивности, действуйте следующим образом:

Выключить агрегат и отсоединить силовой кабель;

Опорожнить и очистить агрегат, как показано в разделе ЧИСТКА.

Оставьте двери слегка прикрытыми, чтобы избежать формирования запахов.

Защитить от пыли узел компрессора.

## ■ ЗАМЕНА ЛАМП [ПРИ НАЛИЧИИ]

Для замены лампы необходимо выполнить следующие операции (тип лампы указан на наклейке):

- Выключить оборудование и отсоединить силовой кабель;
- Открыть дверь и удалить защитное стекло лампы;
- Отвинтить лампу внутри панели и заменить на новую с теми же характеристиками;
- Установить на место защитный щиток.

## ■ МАКСИМАЛЬНАЯ

### ГРУЗОПОДЪЕМНОСТЬ РЕШЕТОК



ПОСТАВЛЯЕМЫЕ В КОМПЛЕКТЕ С АППАРАТОМ РЕШЕТКИ ИМЕЮТ МАКСИМАЛЬНУЮ ГРУЗОПОДЪЕМНОСТЬ 50 кг КАЖДАЯ.

НЕОБХОДИМО ОБЕСПЕЧИТЬ РАВНОМЕРНОЕ РАСПРЕДЕЛЕНИЕ НАГРУЗКИ НА РЕШЕТКУ, РАСПОЛОЖЕННУЮ ТАК, ЧТОБЫ НЕ ЗАКРЫВАТЬ ВЕНТИЛЯЦИОННЫЕ ОТВЕРСТИЯ АППАРАТА.

## ■ وصف التشغيل، الاستقبال والتصريف

### ■ نزع التغليف

- انزع غلاف الحماية دون استخدام معدات يمكن أن تضر بسطح الجهاز.
- ارفع الجهاز بحيث تفصله عن القاعدة الخشبية واسنده على الأرض في الموضع المجهز له مسبقاً.
- حافظ بعيداً عن متناول الأطفال مواد التغليف حيث أنها قد تصبح مصدرًا للخطورة.
- قم بتصريف مواد التغليف بتسليمها لمراكز جمع وتدوير متخصصة (تقيد بالقواعد السارية).
- تحقق من تطابق رقم التسجيل على اللوحة مع رقم التسجيل في وثيقة الشحن.

### ■ مخاطر متبقية

- جميع التجهيزات مصممة ومنفذة بغرض ضمان السلامة والصحة للمستخدم وليس فيها حواف مدببة خطيرة أو أسطح حادة أو عناصر بارزة عن مساحة شغلها. واستقرارها مضمون حتى مع فتح الأبواب، وعلى أي حال ممنوع الاستناد على الأبواب.
- في التجهيزات ذات الصندوق لا تفتح أكثر من صندوق في المرة الواحدة ولا تستند على أو تجلس فوق الصندوق المفتوح لتحاشي انقلابه أو الإضرار بالجهاز.
- ملحوظة: في التجهيزات ذات الأبواب الزجاجية، لا تسحب أكثر من سلة أو شبكة معدنية في كل مرة، حتى لا تعرض للخطر استقرار الجهاز.
- في حالة الأجهزة ذات العجلات، انتبه أثناء النقل لكي لا تسحب بعنف الجهاز لتحاشي انقلابه؛ احرص أيضاً على أية خشونة محتملة لأسطح الانزلاق.
- أوقف دائماً حركة العجلات بواسطة المكابح المخصصة لذلك.

### ■ مستوى الضوضاء

- مستوى الضغط السمعي للانبعاث المرجح A في أماكن العمل لا يتجاوز 70 dB (A).

### ■ التصريف

- أجهزتنا تحتوي على سائل تبريد، على أساس التعليمات الأوروبية رقم 2000/2037 بتاريخ 29 يونيو 2000، الموصوفة على اللوحة الفنية للتسجيل؛ علاوة على ذلك فإن الجهاز مكون من أجزاء وخامات يمكن إعادة استخدامها وتدويرها.
- بعد انتهاء استخدام الجهاز من المهم تسليمه إلى مراكز التصريف البيئي.
- نزع الباب هو اسلم الطرق لضمان عدم وجود أحد محبوس بداخله.
- لا يجب تصريف الجهاز مع النفايات الحضرية أو الحطام.
- يجب تفادي تلف دائرة المبرد.



احترم القواعد المحلية السارية لتكهنين هذا النوع من الأجهزة.



### ■ الاستخدام المسموح به

- الأجهزة مصممة للتثبيت بالداخل ويجب استخدامها فقط في حفظ الأطعمة والمشروبات.
- الموديلات الحافظة (درجة حرارة منخفضة) مصممة فقط لحفظ المنتجات المجمدة مسبقاً.
- الجهاز ليس مخصصاً للاستخدام من قبل أشخاص (بما في ذلك الأطفال) أصحاب القدرات البدنية والحركية المحدودة أو عديمي الخبرة والمعرفة، إلا تحت إشراف أو تعليمات استخدام الجهاز من جانب شخص مسنول عن سلامتهم.
- يجب مراقبة الأطفال للتأكد من أنهم لا يلعبون بالجهاز.
- لا تُدخل بتاتا سوائل أو أغذية ساخنة ولا تملأ حتى الحافة الأوعية التي لها غطاء.
- لا تُدخل بتاتا في القسم منخفض درجة الحرارة مشروبات غازية. قد تنفجر.
- في جميع التجهيزات هناك أسطح تتغطى بطبقة من الثلج. حسب الموديل يمكن أن تزيل هذه الطبقة الثلج تلقائياً (ذويان الثلج الأوتوماتيكي) أو يدوياً. لا تحاولوا أبداً إزالة طبقة الثلج بألة حادة. قد ينطوي هذا على خطر تلف الجهاز فوراً.
- الشركة تخلي أية مسؤولية مع سقوط الضمان في حالة إجراء تعديلات كهربية أو ميكانيكية.

### ■ المراجعة عند الاستلام

- راجع عند وصول الجهاز أنه لم يتعرض لتلف أثناء النقل وأنه كامل في جميع الأجزاء كما جاء في طلب الشراء.
- في حالة وجود أضرار ظاهرة سجل على الفور في وثيقة النقل التلف الذي صادفته مع كتابة عبارة: "استلام مع التحفظ لوجود تلفيات ظاهرة على العبوة."
- جميع العمليات المذكورة فيما يلي يجب أن تتم وفقاً لقواعد السلامة السارية، سواء فيما يتعلق بالمعدات المستخدمة أو فيما يتعلق بالطرق التشغيلية.



- قبل أن تبدأ عمليات النقل التحريك تأكد من أن قدرة الرفع مناسبة لوزن الجهاز المعني.



### ■ التحريك والنقل

- النقل بعربة رافعة أو ما يشابهها أدخل شوكة الرافعة على الجانب الأمامي أو الخلفي على الأرضية الخشبية الملحقة بالجهاز.
- ابدأ عملية الرفع مع التأكد من أن الجهاز في حالة توازن.
- أثناء التحريك لا تقلب الجهاز رأساً على عقب.
- أو أصبح حتمياً النقل في وضع مختلف عن وضع العمل انتظر على الأقل دقيقتين قبل أن تبدأ تشغيل الجهاز.



- حافظ على الجهاز جافاً وتحاشى قدر الإمكان وضع



أشياء أخرى فوقه.

## ■ التشغيل

## هام

قبل توصيل الجهاز تأكد من أن بيانات اللوحة الفنية تلي البيانات الكهربائية. لوحة التسجيل التي تحمل البيانات الكهربائية اللازمة للتثبيت موضوعة إلى الجانب الأيمن من خلية التبريد.



التغذية الكهربائية غير السليمة قد أن تسبب الحريق والصدمة الكهربائية أو حوادث.

يجب تنفيذ التثبيت وفقا للتعليمات الواردة في القسم الحالي بواسطة مسئول مهني مؤهل.

وصل بتجهيز أرضي فعال طبقا لما هو منصوص عليه في القوانين السارية للسلامة الكهربائية.

التوصيل الأرضي غير السليم يسبب ماسا أو صاعقة كهربية في حالة سوء التشغيل.

يجب أن يكون الجهاز كذلك داخل نظام تساوي الجهد الكهربائي ويجب التحقق من فاعليته طبقا للقواعد السارية.



من غير المستحسن استخدام وصلات و/أو مشتركات كهربية.

## ■ مراجعات تمهيدية للجزء الكهربائي والتشغيل

■ قيمة الجهد والتردد في الشبكة يجب أن يتطابق ما هو وارد في لوحة تسجيل الجهاز (النقطة 6 من فقرة "بيانات تسجيل").

التغذية الكهربائية غير السليمة قد تسبب الحريق والصدمة الكهربائية أو حوادث.

■ قم بتثبيت منصهر في بداية القابس قوته 16 أمبير.

■ ضع قاطع التيار العام الذي سوف يتم توصيل القابس به في تجويف التغذية على الوضع OFF.

يجب توصيل هذا الجهاز بشبكة التغذية باستخدام قابس يرد مع الجهاز.



بعد تمام التركيب يجب أن يبقى القابس في موضع يسهل الوصول إليه

■ تحقق من توافق المقبس مع قابس الجهاز. في حالة يصبح ضروريا استبدل المقبس بأخر مناسب بواسطة عامل مؤهل. هذا الأخير يجب عليه التأكد أيضا من أن عرض الكابلات يتوافق مع القدرة التي يستهلكها الجهاز.

■ بعد القيام بتنفيذ كل ما ورد سابقا بدقة من الممكن بدء تشغيل الجهاز.

■ ضع قاطع التيار العام الذي سوف يتم توصيل القابس به في تجويف التغذية على الوضع ON.

■ اضغط على النابض "ON/Stand by" في لوحة التحكم لتشغيل الجهاز بعد 1 دقيقة، يبدأ المكبس بالعمل ويتم ضبط درجة الحرارة الداخلية على القيمة التي تم ضبطها في المصنع.

■ فيما يتعلق بطرق التشغيل المتعلقة بتغيير قيمة "نقطة الضبط" المهيأة من المصنع، طالع قسم "لوحة التحكم".

لا تقم بتحميل الجهاز حتى تصل درجة حرارة الجهاز إلى القيمة المهيأة مسبقا.



لا تتجاوز إطلاقا حد التحميل المبين في البطاقة الموضوعه داخل خلية التبريد.

## ■ التشغيل

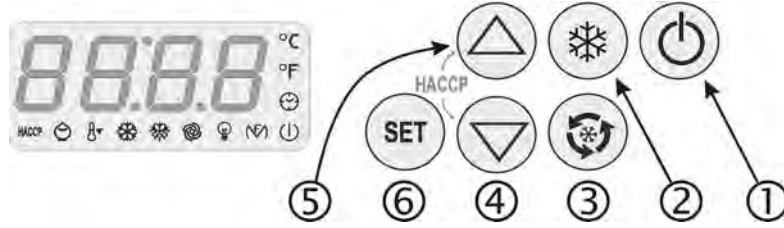
■ الحفاظ الصحيح للغذاء هو عامل هام في الإنتاج الصحي والأمن للأغذية، وهو يحسن علاوة على ذلك، كفاءة الأنشطة الغذائية ويؤثر على استهلاك الطاقة. احترم التعليمات الواردة أدناه للحصول على أقصى إنتاج من الجهاز.

■ يجب أن يتم حفظ المنتجات دائما على رفوف؛ فلا تقم بتحميل المنتجات على قاع الخلية.

يجب أن يتم تحميل المنتجات بطريقة يمكنها السماح بالتدفق الحر للهواء.



اترك مساحات حرة بين المنتجات ولا تضعها ملاصقة للجدران. عند اللزوم قم بتعديل المسافة بين الرفوف.



- اضغط وأفلت الزر (6) SET ( ولا تشغل لمدة 15 ثانية سوف ينطفئ نور المكبس، وبعد ذلك فإن الأداة سوف تخرج من الإجراء. لا تقم بتنفيذ أي صيانة عندما الجهاز في حالة "ON" أو في حالة "STAND BY".
- أفصله من شبكة التغذية الكهربائية.

## الإشارات

المعنى	الضوء
مشتعّل: المكبس يعمل وامض: تعديل نقطة بداية العمل قيد التشغيل حماية المكبس قيد التشغيل	
مشتعّل: إذابة الثلج قيد التشغيل وامض: طلب إذابة التجميد، ولكن قيد التنفيذ حماية المكبس التقطير قيد التشغيل تسخين سائل التبريد قيد التشغيل	
مشتعّل: مروحة التبخير تعمل وامض: إيقاف مروحة التبخير قيد العمل	
مشتعّل: ضوء الخلية مشتعّل بطريقة يدوية وامض: ضوء الخلية مشتعّل بطريقة يدوية	
مشتعّل: المقاومات المضادة للتصليب سوف تشتعّل مخرج مساعد مشتعّل بطريقة يدوية مخرج إنذار منشط مقاومات الباب سوف تعمل وامض: مخرج مساعد مشتعّل عن بعد	
مشتعّل: وظيفة تبريد زائد قيد العمل	
مشتعّل: إنذار أو خطأ قيد العمل	
مشتعّل: جميع المعلومات حول الإنذارات HACCP ليست جميعاً ظاهرة وامض: واحد أو أكثر من الإنذارات تم تخزينها في الذاكرة مطلقاً: جميع المعلومات حول الإنذارات تم إظهارها قائمة الإنذارات HACCP تم شطبها	
مشتعّل: وظيفة توفير الطاقة قيد العمل	
مشتعّل: طلب صيانة المكبس	
مشتعّل: وحدة قياس درجة الحرارة سوف تكون مئوية	
مشتعّل: وحدة قياس درجة الحرارة سوف تكون فهرنهايت	
مشتعّل: الجهاز في حالة استعداد Stand-by	

## إرشادات

المعنى	الكود
اختيار الوظيفة المنخفضة UR %	rhL
اختيار الوظيفة العالية UR %	rhH
لوحة المفاتيح متوقفة الحركة؛ نقطة بداية العمل متوقفة	Loc
وظيفة غير متاحة	----

## لوحة المفاتيح والوظائف المرتبطة بها

- بالاستمرار بالضغط معاً على الزر (6) والزر (5) لعدة ثوان تتوقف لوحة المفاتيح: تعرض الشاشة علامة "Loc".
- بالضغط مرة أخرى على لوحة المفاتيح تتحرر حركته: تعرض الشاشة علامة "UnL".

## ON/STAND BY

بالضغط على الزر لعدة ثوان يبدأ عمل الجهاز أو ينطفئ.

## إزالة الثلج يدويًا

بالضغط على الزر لعدة ثوان يتم تنشيط إزالة الثلج يدويًا إذا سمحت أداة التبخير بذلك، وبشرط ألا تكون وظيفة التبريد الزائد Overcooling نشطة.

إذا كانت الفترات الفاصلة بين إذابة الثلج بينما تكون وظيفة التبريد الزائد عاملة، فإن إزالة الثلج سوف يتم تنشيطها عند نهاية الوظيفة نفسها.

## ضوء الخلية إذا كانت / بارد باستمرار (حال وجوده)

بالضغط على الزر المساعد يضيء النور أو يطفى بطريقتة اليدوية. (فقط للموديلات ذات الأبواب الزجاجية).

الوقت المبرمج على الشاشة ويمكن تعديله بأزرار UP و DOWN (قابل للضبط كل 30 دقيقة). بالضغط من جديد على الزر (3) لمدة طويلة يتم بدء تشغيل المرحلة؛ ويتم بدء تشغيل وظيفة إزالة الثلج (إذا لزم الأمر) وبعد ذلك يبدأ المكبس بالعمل بصورة مستمرة على الوقت المبرمج ودون إجراء عمليات إزالة الثلج من جديد.

تقوم الشاشة بعرض الوقت المتبقي ودرجة حرارة القسم بالتناوب.

أثناء هذه المرحلة، بالضغط من جديد على الزر (3) يمكن تعديل الوقت المبرمج أو إيقاف المرحلة بوضع القيمة على "00:00" وبالضغط طويلاً من جديد على الزر (3).

تنبيه: إجراء عملية تركيب الأجهزة بصورة صحيحة، قم بتطبيق المبادئ المزودة خلف التالاجة باستعمال الثقوب المجهزة مسبقاً.

عدم الالتزام بهذه التعليمات يمكن أن يلحق التلف بجهاز الموازنة والمعادلة وبالتالي خلافاً في التشغيل استعمال البرنامج بارد باستمرار.

اضغط لمدة 4 ثوان الزر (1)، قم بضبط مدة المرحلة بالأزرار (2) و (3) (أقصى وقت يمكن ضبطه 15:00 ساعة) وبعد ذلك قم بتشغيل البرنامج بالضغط طويلاً من جديد على الزر (1).

## زر DOWN

تجري عناصر القائمة وتقل القيم.

## زر UP

تجري عناصر القائمة وتزيد القيم.

بعد الضغط ليضع ثوان تنشيط وظيفة انخفاض UR% (على الشاشة تظهر "rhL") أو ارتفاع UR% (على الشاشة تظهر "rhH") لعشر ثوان. إذا لم تتوافر الوظيفة فإن الضغط على الزر سوف يثير إظهار المؤشر "----".

## نقطة التهيئة SET POINT

يسمح بدخول وظيفة تعديل نقطة التهيئة.

## إسكات الجرس (حال وجوده)

اضغط لفترة قصيرة على أي زر.

## ضبط نقطة التهيئة

اضغط وأفلت الزر SET (6): النور المبين للمكبس يومض

اضغط وأفلت الزر UP (6) أو الزر DOWN (4) في غضون 15 ثانية

■ نور HACCP المبين يوفر معلومات عن ذاكرة إنذارات HACCP. إذا كان مشتعلا فلن يتم عرض جميع المعلومات التي تتعلق بإنذارات HACCP، وإذا كان بومض فإن الأداة ربما تكون قد حفظت تنبيهها واحدا على الأقل.

### ■ إظهار إنذارات HACCP

■ للدخول إلى القائمة:  
- اضغط على الزر DOWN (4) لمدة ثانيتين:  
تظهر الشاشة البطاقة الأولى.  
- اضغط وحزر الزر UP (5) أو الزر DOWN (4) لاختيار "LS".  
- اضغط وحزر الزر SET (6): سوف تظهر الشاشة أحد أكواد "AL"، "AH"، "id".

■ لاختيار إنذار:  
- اضغط وحزر الزر UP (5) أو الزر DOWN (4) لاختيار "AH".  
■ لإظهار المعلومات التي تتعلق بالإنذار:  
اضغط وحزر الزر SET (6): النور المبين HACCP سوف يتوقف عن الوميض وسوف تعرض الشاشة على التوالي المعلومات التالية ("#"): فقط مع النسخة "HACCP EXTENDED":

المعلومات	المعنى
8,0	القيمة الحرجة هي 8,0 مئوية / 8 فهرنهايت
StA #	الشاشة على وشك إظهار التاريخ والساعة التي يظهر فيها التنبيه
y07 #	الإنذار ظهر عام 2007 (استمر...)
n03 #	الإنذار ظهر في شهر مارس (استمر...)
d26 #	الإنذار ظهر في 26 مارس عام 2007
h16 #	الإنذار ظهر الساعة الرابعة ظهرا (استمر...)
n30 #	الإنذار ظهر في الساعة الرابعة وثلثين دقيقة ظهرا
Dur	الشاشة على وشك إظهار مدة التنبيه
h01	الإنذار استمر ساعة واحدة (استمر...)
n15	الإنذار استمر لساعة واحدة و15 دقيقة
AH3	الإنذار المختار

■ للخروج من تتبع المعلومات:  
اضغط وافلت الزر BY-ON/STAND (1): سوف تعرض الشاشة الإنذار المختار (في المثال "AH3").

■ للخروج من الإجراءات:  
- اخرج من تتبع المعلومات  
- اضغط وحزر الزر UP (5) أو الزر DOWN (4) حتى تظهر الشاشة درجة حرارة الخلية أو لا تعمل حتى 60 ثانية.  
كبدل اخرج من تتبع المعلومات  
- اضغط وحزر الزر ON/STAND-BY (1).

■ إذا لم يكن هناك أي إنذار في الذاكرة فإن البطاقة "LS" لن تظهر.

### ■ شطب إنذارات HACCP

- واصل الضغط على زر DOWN (4) لمدة 2 ثانية: سوف تظهر الشاشة أول علامة متاحة.  
- اضغط على الزر UP (5) أو الزر DOWN (4) لاختيار "rLS".  
- اضغط الزر SET (6).  
- اضغط الزر UP (5) أو الزر DOWN (4) في غضون 15 ثانية لضبط "149".  
اضغط الزر SET (6) (ولا تشغل لمدة 15 ثانية سوف تظهر الشاشة "---") وامض لعدة ثوان والنور المبين HACCP ينطفئ وبعد ذلك سوف تخرج الأداة من الإجراءات.

■ إذا لم يكن هناك أي إنذار في الذاكرة فإن البطاقة "rLS" لن تظهر.

### ■ إظهار

#### درجة حرارة الخلية

ظاهرة والأداة مشتعلة، أثناء التشغيل العادي.

درجة حرارة المبخر (مع وجود مسبل مبخر)

اضغط على الزر DOWN (4) لعدة ثوان ثم اضغط الزر tasto UP (5) أو DOWN (4) لاختيار "Pb2".

بالضغط على الزر SET (6) تظهر على الشاشة درجة حرارة المبخر. اضغط من جديد على زر SET (6) ولا تشغل للعودة إلى إظهار درجة حرارة الخلية.

درجة حرارة المكثف (مع وجود مسبل مكثف)

اضغط على الزر DOWN (4) لعدة ثوان ثم اضغط الزر tasto UP (5) أو DOWN (4) لاختيار "Pb3".

بالضغط على الزر SET (6) تظهر على الشاشة درجة حرارة المكثف. اضغط من جديد على زر SET (6) ولا تشغل للعودة إلى إظهار درجة حرارة الخلية.

عد ساعات تشغيل المكبس (فقط في نسخة "HACCP EXTENDED")

اضغط على الزر DOWN (4) لعدة ثوان ثم اضغط الزر tasto UP (5) أو DOWN (4) لاختيار "CH".

بالضغط زر SET (6) تظهر على الشاشة ساعت تشغيل المكبس. اضغط من جديد على زر SET (6) أو لا تشغل للعودة إلى إظهار درجة حرارة الخلية.

### ■ تهيئة التاريخ والساعة (حال وجوده)

■ اضغط على الزر DOWN (4) لعدة ثوان ثم اضغط الزر tasto UP (5) أو DOWN (4) لاختيار "rtc".

■ بالضغط زر SET (6) تظهر على الشاشة على التوالي: "yy"، "nn"، "dd"، "hh" و "nn" يتبعها رقمان يوازيان على الترتيب السنة والشهر واليوم والساعة والدقائق، قيم يمكن ضبطها بالعمل على أزرار UP (5) أو DOWN (4).

■ للخروج من الإجراءات اضغط على الزر ON/STAND-BY (1).

### ■ وظائف HACCP

■ الأداة تستطيع حفظ ثلاثة إنذارات في الذاكرة (نسخة "HACCP BASIC") أو 9 إنذارات (نسخة "HACCP EXTENDED").

■ الأداة تقدم المعلومات التالية:

- القيمة الحرجة
- التاريخ والساعة التي يظهر فيها الإنذار (حالة وجود "HACCP EXTENDED")
- زمن الإنذار (من 1 دقيقة إلى 99 ساعة و59 دقيقة، جزئية إذا كان الإنذار قيد التشغيل)

القيمة الحرجة	نوع الإنذار	كود
أدنى درجة حرارة للخلية أثناء الإنذار من هذا النوع	إنذار بدرجة حرارة دنيا	AL
أقصى درجة حرارة للخلية أثناء الإنذار من هذا النوع	إنذار بدرجة حرارة القصوى	AH
أقصى درجة حرارة للخلية أثناء الإنذار من هذا النوع	إنذار دخول الباب الميكرو	ID
درجة حرارة الخلية عند استعادة التيار الكهربائي (معييار AA)	إنذار قطع الطاقة الكهربائية	PF

■ نسخة "HACCP BASIC": الأداة تحدد المعلومات إذا كان الحدث الجديد أكثر أهمية من الحدث الموجود في الذاكرة أو معلومات سبق أن تم عرضها. إذا تم إيقاف تشغيل الأداة، لن يتم تخزين أي إنذار في الذاكرة.

■ نسخة "HACCP EXTENDED": الإنذار الأحدث تتم كتابته فوق الأقدم. إذا كانت مدة إنذار PF يمكنه أن يسبب خطأ في الساعة، فإن الأداة لن توفر أية معلومات تتعلق بمدة الإنذار.

■ عندما يكون سبب الإنذار قد اختفى فإن الشاشة تستعيد التشغيل العادي، إلا من تنبيه قطع الكهرباء الذي يتطلب الاستعادة اليدوية للإظهار على الحالة اليدوية.

## ■ معايير وبحث عن الأعطال

معطل ("CSd") لن يتم تنشيطه أبدا/ خروج الإنذار النشط مع $u1=3$
خطأ ساعة
أعد ضبط التاريخ والساعة
إزالة تلج بفترات فاصلة مع $HACCP'd8=3/L$ لا يعطي معلومات حول التاريخ والساعة التي يظهر عليها التنبيه؛ وظيفة توفير الطاقة ليست متاحة في الوقت الحقيقي/خروج إنذار نشط مع $u1=3$

بعد حل السبب الذي تسبب في الإنذار، تستعيد الأداة التشغيل العادي، فيما عدا الإنذارات التالية:

- "PF" – أضغط أي زر؛
- "iSD" – اطفئ الأداة أو اقطع التيار الكهربائي
- "CSd" – اطفئ الأداة أو اقطع التيار الكهربائي

## ■ الأعطال

في حالة سوء أداء الجهاز راجع القائمة التالية للتحقق مما إذا كان ممكناً إعادة تشغيله دون تدخل الدعم الفني؛ وليبقى مفهوماً أن ما ورد بالقائمة لا يغطي بالكامل جميع الحالات الممكنة.

■ تدخل أداة سلامة يشير إلى وجود عطل في التشغيل؛ قبل إعادة التشغيل تأكد من زوال السبب.

■ إذا استمر العيب توجه إلى الدعم الفني وتذكر أن تشير إلى طبيعة العيب والكود ورقم تسجيل الجهاز والتي يمكن الاطلاع عليها من اللوحة الفنية الموضوعية داخل الجهاز نفسه.

## ■ ضبط المعايير

للدخول إلى الإجراء:

- اضغط على UP (5) و DOWN (4) لمدة 4 ثوان: تعرض الشاشة علامة "PA"
- اضغط SET (6)
- اضغط UP (5) أو DOWN (4) في غضون 15 ثانية ثم اضبط "19"
- اضغط SET (6) أو لا تقم بالتشغيل لمدة 15 ثانية
- اضغط UP (5) و DOWN (4) لمدة 4 ثوان: تعرض الشاشة علامة "SP".
- لاختيار المعيار:

- اضغط UP (5) أو DOWN (4)

لتعديل المعيار:

- اضغط SET (6)
- اضغط UP (5) أو DOWN (4) في غضون 15 ثانية
- اضغط SET (6) أو لا تقم بالتشغيل لمدة 15 ثانية

للخروج من الإجراء:

- اضغط UP (5) و DOWN (4) لمدة 4 ثوان أو لا تقم بالتشغيل لمدة 60 ثانية:

اقطع التغذية الكهربائية للأداة بعد التعديل.

## ■ إنذارات وأخطاء

نوع الإنذار	كود
العلاج	
نتائج	
إنذار دخول متعدد الوظائف	ia
تحقق من أسباب تنشيط الدخول / رؤية معايير i5 و i6 تأثير تقرر من المعيار i5/خروج تنبيه منشط مع $u1=3$	
إنذار مستوى الضغط	iSD
تحقق من أسباب تنشيط الدخول / رؤية معايير i5 – i6 – i8 – i9 / اطفئ وأعد إشعال الأداة أو اقطع التغذية الكهربائية المنظمات تنظف / خروج الإنذار منشط مع $3=1$	
إنذار مكثف شديد السخونة	COH
تحقق من درجة الحرارة المكثف/ انظر المعيار C6 مخرج إنذار منشط مع $u1=3$	
إنذار توقف حركة المكبس	CSd
تحقق من درجة حرارة المكثف/ انظر المعيار C7 / اطفئ وأعد تشغيل الأداة. إذا كانت درجة الحرارة في المكبس عند إعادة الإشعال أعلى من المعيار C7 فسوف يكون من الضروري نزع التغذية الكهربائية وتنظيف المكثف مكبس ومروحة المبخر ينظفان / خروج تنبيه نشط مع $u1=3$	
خطأ مسبار الخلية	Pr1
تحقق من سلامة المسبار وتحقق من توصيل الأداة بالمسبار؛ وتحقق من درجة حرارة الخلية نشاط المكبس يعتمد على المعيار C4 / C5	
خطأ مسبار المبخر	Pr2
نفس أسباب الحالة السابقة ولكن تتعلق بمسبار المبخر إذا كان المعيار P3 مضبوطاً على 1 فإن إزالة التلج سوف تستمر للمدة المقررة من المعيار d3. إذا كان المعيار P3 مضبوطاً على 1 والمعيار d8 مضبوطاً على 2، فإن الأداة سوف تعمل كما لو أن المعيار d8 مضبوطاً على 0، إذا كان المعيار F0 مضبوطاً على 3 أو 4 فإن الأداة سوف تعمل كما لو أن المعيار مضبوطاً على 2.	
خطأ مسبار المكثف	Pr3
تحقق من نوع المسبار وتحقق من سلامة المسبار؛ تحقق من توصيل الأداة بالمسبار/ وتحقق من درجة حرارة مسبار المكثف تنبيه المكثف عال السخونة ("COH") لن يتم تنشيطه/ تنبيه المكبس	

المشكلة	السبب المحتمل
التدخل	
1 الجهاز لا يعمل	
1.1	الجهاز ليس موصولاً على نحو صحيح بالكهرباء. تأكد من أن القابس قد تم إدخاله على نحو صحيح في مقياس التيار
2 لا يتوقف المكبس إلا نادراً	
2.1	درجة الحرارة في المكان عالية جداً قم بتهوئة المكان بشكل مناسب
2.2	مكثف التلاجة متسخ راجعه وقم بتنظيفه بعناية على فترات منتظمة.
2.3	شحن التلاجة قليل توجه إلى مركز دعم فني مختص للتحقق وإصلاح التسرب وقم بإعادة الشحن.
2.4	حشوات عزل الباب قليلة الكفاءة إذا لم يكن من الممكن إصلاحه توجه إلى مركز دعم فني مختص لاستبداله إذا لزم الأمر
2.5	المبخر يتوقف لا تدخل أطعمة ساخنة وبها محتوى عال من الماء وعند حدوث ذلك قم بعمل إزالة تلج يدوية
2.6	لا تعمل المروحة على نحو صحيح توجه إلى مركز دعم فني مختص لاستبدالها إذا لزم الأمر
3 تجاوز الحد الأقصى لحوض التبخير الأوتوماتيكي	
3.1	كثرة إدخال الأغذية الساخنة والتي لها محتوى عال من الماء لا تدخل الأغذية الساخنة والتي لها محتوى عال من الماء
3.2	كثرة فتح الباب و/أو الصناديق توخي الحرص في مراعاة ظروف استخدام الجهاز
4 درجة حرارة الخلية غير كافية	
4.1	مكثف التلاجة متسخ راجعه وقم بتنظيفه بعناية على فترات منتظمة.
4.2	تهوية قليلة للمنطقة المجاورة للتجفيف الفني انزع أي انسداد محتمل
4.3	دخول الهواء الساخن في الخلية تأكد من إغلاق الباب على نحو صحيح وأن حشوة العزل تعمل على نحو صحيح. إذا لم يكن من الممكن إصلاحه توجه إلى مركز دعم فني مختص لاستبداله وضبطه إذا لزم الأمر
4.4	المبخر يتوقف نفذ إذابة تلج يدوية



## ■ النظافة والصيانة

## ■ الصيانة العادية

## بطارية تكثيف

من المهم أن يكون بوسع البطارية أن تقدم أكثر تبادل حراري.

- أزل بمساعدة من مكنسة كهربائية أو فرشاة أو فرشاة غير معدنية جميع الشوائب والغبار والورق التي يمكن أن تترسب على سطح البطارية بعناية لتجنب التوائها أو إلحاق الضرر بزعانف أو ريش مروحة المحرك.

في حالة وجود لوحة مرشح أزلها ونظفها. وفي نهاية التنظيف أعدها لمكانها. إذا تفتت أو مسدودة للغاية، اطلب قطعة غيار واستبدلها. عدم احترام هذه القواعد يمكن أن يسبب أضراراً جسيمة على دائرة التلاجة أو على المنتجات التي تحتوي التجهيزات عليها.

## حشوات الباب

تحقق من سلامة حشوات الباب: من المهم أهمية أساسية ضمان وجودها في مكانها.

## تجويف التغذية

- تحقق من أن تجويف التغذية الذي يربط الجهاز بالقابس ليس فيه تلفيات من شأنها التأثير سلباً على العزل. إذا كان كابل التغذية الكهربائية تالفاً فيجب استبداله بواسطة الشركة الصانعة أو من مركز الدعم الفني الخاص بها، أو في جميع الأحوال بواسطة شخص له تأهيل مكافئ.

الكابل الكهربائي غير السليم قد يسبب الحريق والصدمة الكهربائية أو الحوادث.

## ■ توقف طويل المدى

في حالة التوقف طويل الأمد مثلما في الحالات التالية:

- أطفئ الجهاز وأفضل كابل التغذية؛
- أفرغ الجهاز واعمل على تنظيفه كما هو موصوف في مادة "التنظيف".
- حافظ على الباب مواربة بحيث تتحاشي تكوين روائح كريهة.
- قم بحماية المكبس من الغبار.

## ■ استبدال المصباح (حال وجوده)

لاستبدال المصباح اتبع التعليمات التالية (نوع المصباح مبيّن في البطاقة اللاصقة):

- أطفئ الجهاز وأفضل كابل التغذية؛
- افتح الباب وانزع زجاج حماية المصباح؛
- فك المصباح الموضوع بداخل لوحة الأدوات واستبدله بمصباح جديد له مواصفات متساوية؛
- أعد وضع الزجاج الواقية.

## ■ الحمولة القصوى للشبكات المعدنية الموردة مع الجهاز

الشبكات المعدنية الموردة مع الجهاز مناسبة لتحمل حمولة قصوى قدرها 50 كجم لكل منها.

الحمولة يجب أن تتوزع بطريقة متجانسة لا تسد تهوية الجهاز



التنبيهات التالية لها أهمية خاصة في حالة ما إذا كان سائل التبريد المستخدم من نوع R290 (انظر المرجع 13 في الصفحة 2 من هذا الدليل واللوحة الفنية للجهاز)

حافظ على خلو فتحات التهوية في غلاف الجهاز و/أو الهيكل الذي يوجد الجهاز بداخله.



لا تستخدم الأدوات الميكانيكية أو الوسائل أخرى للإسراع بعملية إذابة الثلج غير تلك الموصى بها من قبل الشركة المصنعة.

لا تتلف دائرة التبريد

لا تستخدم الأجهزة الكهربائية داخل قطاعات حفظ الأطعمة المجمدة في الجهاز، إن لم تكن تلك من النوع الذي تتصح به الشركة المصنعة

- هذا القسم مخصص للمستخدم النهائي ومهم جداً للأداء الصحيح على مر الزمن.

- عمليات قليلة يتم أداؤها بحرص و بانتظام ويمكن أن تجعلك تتفادى اللجوء إلى تدخلات من عاملين مؤهلين.
- العمليات التي ينبغي القيام بها لا تتطلب معرفة فنية خاصة.

## هام

قبل أن تبدأ أية عملية صيانة أو نظافة للجهاز افصله عن الشبكة الكهربائية



لا تغسل الجهاز بتيارات ماء مندفعة موجهة بضغط عال تتحاشى توجيه الماء إلى الأجزاء الكهربائية

## ■ التنظيف

- الحاجة إلى تنظيف الجهاز تعتمد إلى حد كبير على معدل تكرار الاستخدام. لاحظ الاستخدام وخطط عمليات التنظيف اللازمة.
- لتنظيف الأجزاء الداخلية والخارجية استخدم منظف محايد أو قلوي خفيف.
- لتنظيف حشوات العزل يستخدم منتج محايد على أساس مائي، يستخدم عادة في المنازل.
- لعمل التنظيف لا تزل الحشوات!
- ننصح بتنظيف الداخل كل حين بواسطة مطهر يمكن إزالة الشوائب بواسطة قطعة قماش مبللة. إزالة الرفوف يسهل تنظيف الداخل.
- لا تستخدم أجسام معدنية لتنظيف الجهاز؛ فقد يتلف.
- للقيام بالتنظيف الداخلي الأكثر دقة من الضروري إزالة قضبان توجيه الشبكات المعدنية.

## هام

الأجهزة مصنوعة من الصلب ومقاومة للتآكل الناتج عن الاستخدام العادي. تتحاشى استخدام عناصر تنظيف أو نظم تنظيف قوية يمكن أن تؤثر سلباً على سلامة الجهاز

**SPECIFICHE TECNICHE  
TECHNICAL SPECIFICATIONS**

---

**SCHEMI ELETTRICI  
WIRING DIAGRAMS**

## ARMADIO EN-SILVER / AG60 EN-SILVER / AG60 CABINET

Modello / model Controllo / control		EN1 AR	EN1 AF	EN2 AR	EN2 AF	EN2 SUPER AF	AG 60
Profondità nominale Nominal Depth	mm	730	730	1010	1010	1010	910
Capacità Capacity	l	560	560	820	820	820	820
Dimensioni Dimensions	LxPxH [WxDxH] mm	740x730x2070		740x1010x2070			740x910x2070
Profondità con porta 90° Depth with 90° door	mm	1420	1420	1700	1700	1700	1600
Porte Doors	n°	1	1	1	1	1	1
½ porte Half doors	n°	2	2	2	2	2	2
Classe climatica Climatic class		T	T	T	T	T	T
Temperatura di esercizio Operating temperature	°C	-3/+10	-25/-5	-3/+10	-25/-5	-30/-5	-12/-40
Refrigerante Refrigerant	gas	R134a	R404A	R134a	R404A	R404A	R404A
Capacità refrigerazione Refrigeration capacity	W	307(*) 693(**)	441(°) 630(°°)	506(*) 1148(**)	572(°) 848(°°)	875(°) 1480(°°)	572(°) 848(°°)
Alimentazione elettrica Electric power supply	V/~ /Hz	230/1/50					
Assorbimento elettrico Max. absorbed current	W A	496 2,9	709 4,2	682 4,0	955 5,4	1800 8,5	750 4,5
Capacità bac. gelato Ice-cream cont. capacity	LxPxH [WxDxH] mm	-	-	-	-	-	60 (165x360x120)
Dotazione interna Internal fittings	n°	20 coppie guida 20 pair of slides					5 ripiani o 5 griglie 5 trays or 5 shelves
Predisposizione (teglie) To be used with (baking tins)	n°/mm	20 / 600x400		20 / 600x800 40 / 600x400			-
Passo tra le coppie guida Interstep	mm	35 - 50					
Posizioni Standing	n°	38 - 26					
Dimensione imballo Packing dimensions	LxPxH [WxDxH] mm	780x770x2120		780x1050x2120			780x940x2120
Volume imballo Packing volume	m³	1,28	1,28	1,75	1,75	1,75	1,57
Peso Weigh	netto/net lordo/gros kg	132 161	143 172	160 195	195 230	205 240	180 210

### ARMADIO PREDISPOSTO / EQUIPPED CABINET

Gruppo remoto consigliato Suggested remote unit	rif.	C	N	E	P	R	-
Refrigerante Refrigerant	gas	R134a	R404A	R134a	R404A	R404A	R404A
Potenza elettrica Input electrical power	W	299	607	452	886	1501	886
Potenza refrigerante Refrigerant power	W	328(*)	486(°)	598(*)	690(°)	1152(°)	690(°)
Peso predisposto Equipped cabinet weigh	netto/net lordo/gros kg	107 140	118 147	125 160	160 195	173 208	145 180
Gruppo remoto Remote Unite	cod.	990355	990364	990357	990366	990368	990366

(\*) Temp.evap. -10°C, Temp. cond. +45°C / Evap. temp. -10°C, Cond. temp. +45°C

(\*\*) Temp.evap. +7,2°C, Temp.cond. +54.4°C / Evap.temp. +7,2°C, Cond.temp. +54.4°C

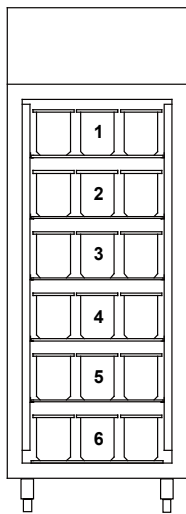
(°) Temp.evap. -25°C, Temp. cond. +45°C / Evap. temp. -25°C, Cond. temp. +45°C

(°°) Temp.evap. -23,3°C, Temp.cond. +54.4°C / Evap.temp. -23,3°C, Cond.temp. +54.4°C

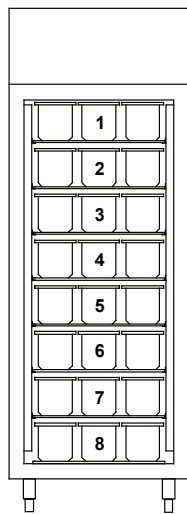
**GELATO AG60-SILVER**  
**ICE AG60-SILVER**

capacità BACINELLE  
CONTAINERS capacity

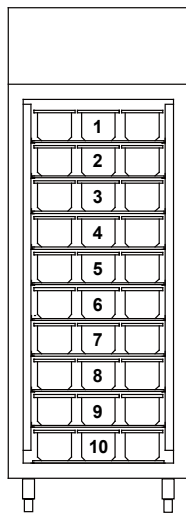
Bacinelle }  
Containers } H=180



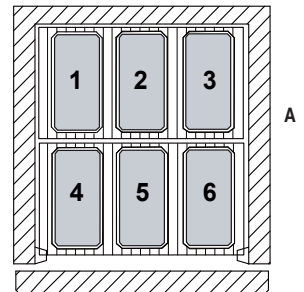
Bacinelle }  
Containers } H=150



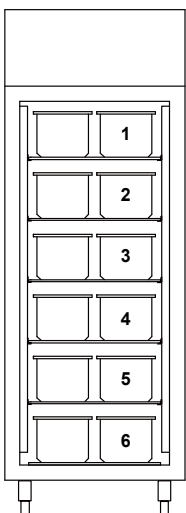
Bacinelle }  
Containers } H=120



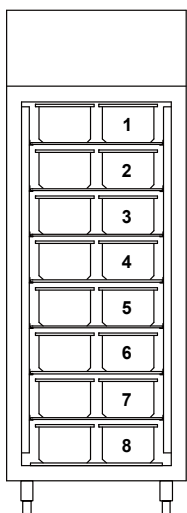
165  
x  
360



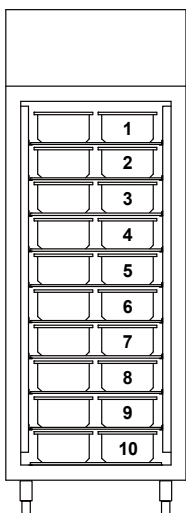
Bacinelle }  
Containers } H=180



Bacinelle }  
Containers } H=150



Bacinelle }  
Containers } H=120



250  
x  
360

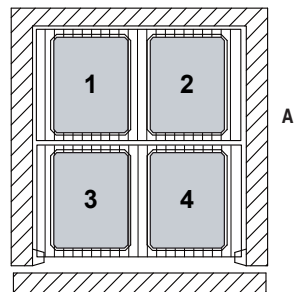


fig. 1

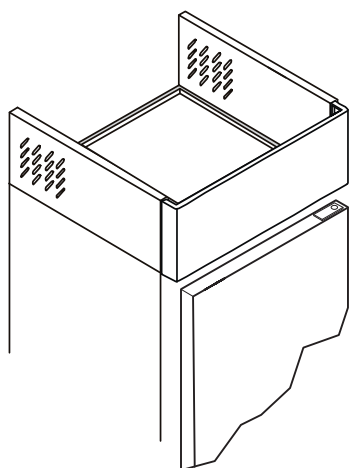


fig. 2

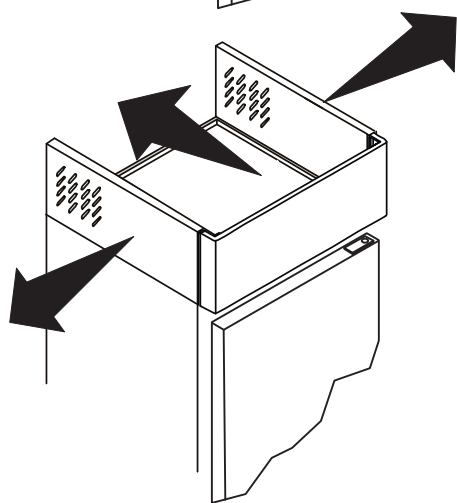


fig. 4

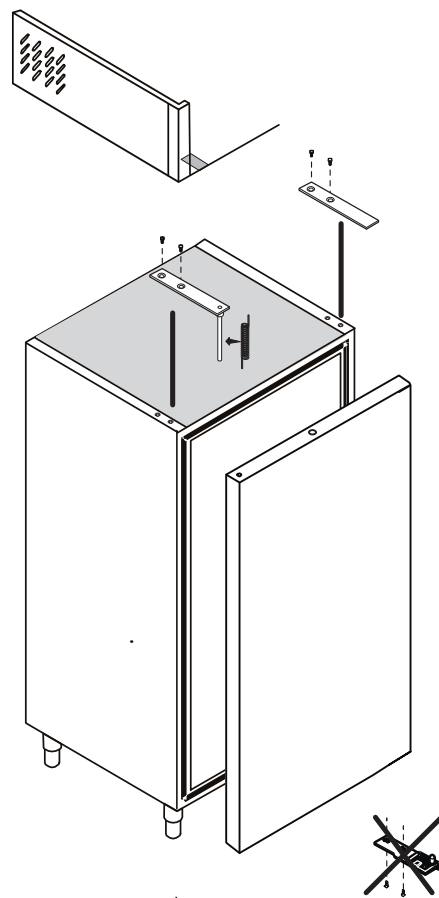


fig. 3

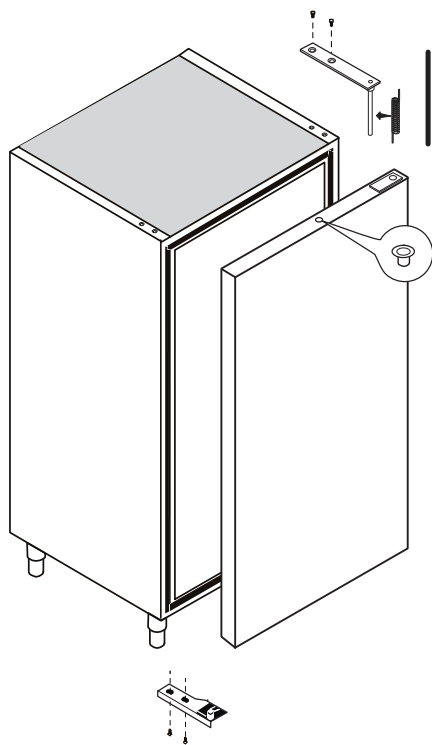


fig. 5

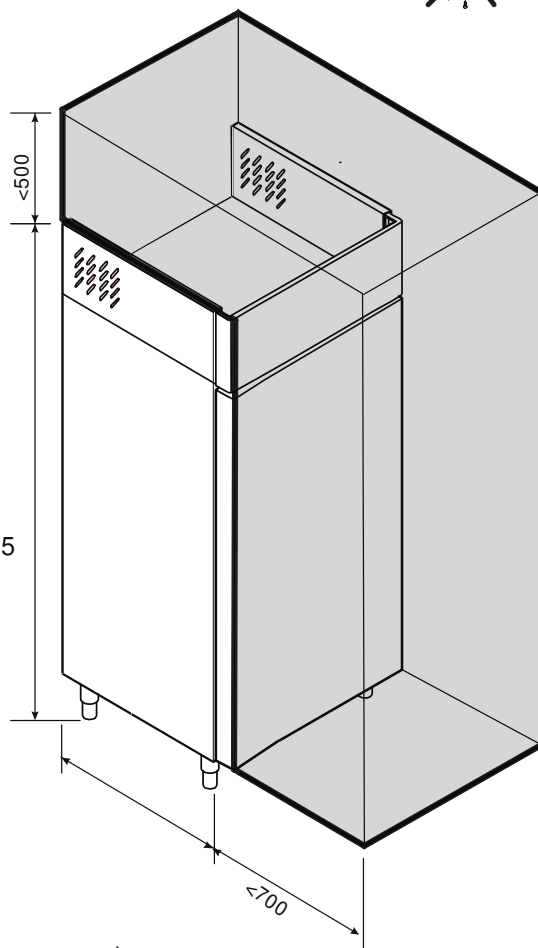
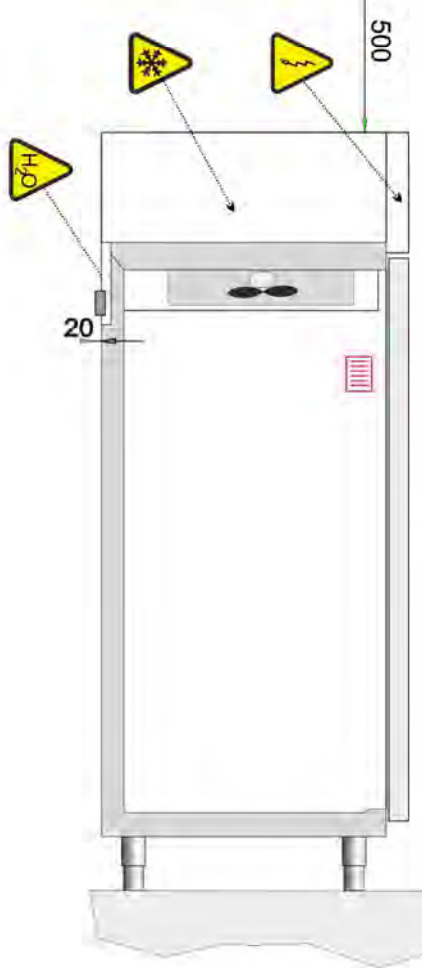
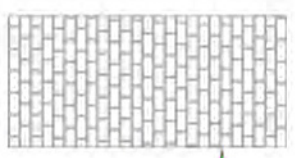
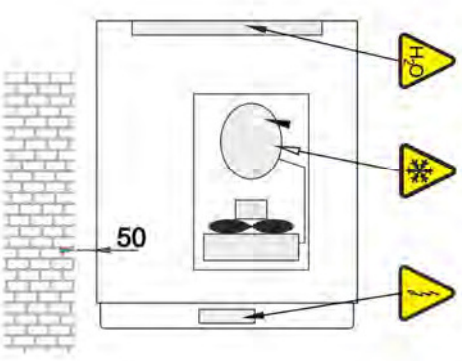
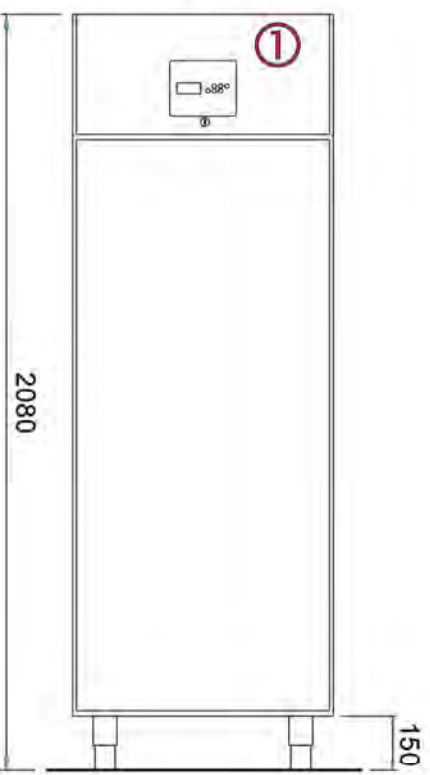
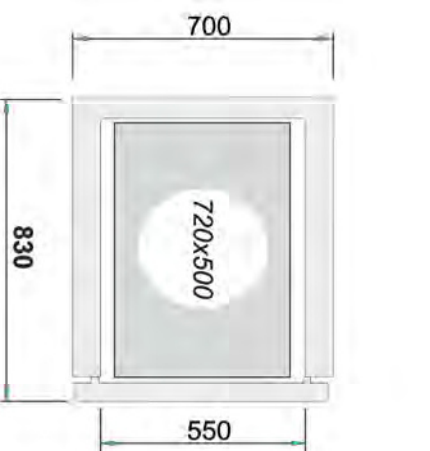


fig. 5



Zona di rispetto per il buon funzionamento e la manutenzione.

Keep this space free to ensure the good operation and the maintenance of the appliance.

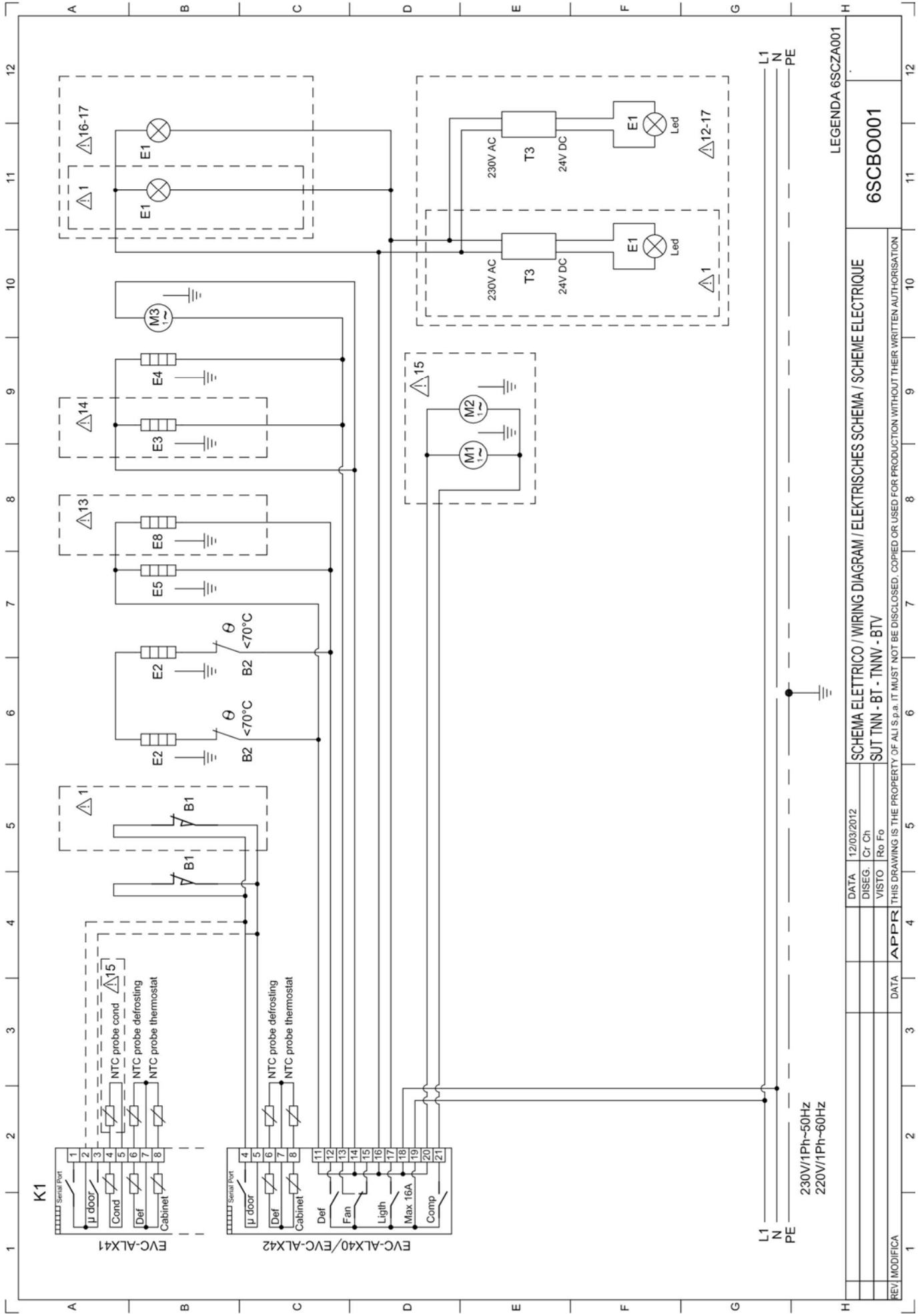


ICE CREAM CABINET - 48 Bac.  
 load capacity:  
 6 bac. 360x165 each shelves  
 4 bac. 360x250 each shelves  
 standard: 5 shelves

REFRIGERATORS / KÜHLSCHRÄNKE / ARMADI REFRIGERATI / ARMOIRES REFRIGEREES  
 ARMARIOS REFRIGERADOS / KOELKASTEN / МОРОЗИЛЬНІЕ ШКАФЫ

COMPRESSOR OR CONNECTIONS  
 FOR REMOTE UNITE

REV	MODIFICA	1	2	3	4	5	6	7	8	9	10	11	12
DATA	APPR	DATA	DISG	DATA	DISG	DATA	DISG	DATA	DISG	DATA	DISG	DATA	DISG
		20/11/2012	Rd Fo	20/11/2012	Rd Fo	20/11/2012	Rd Fo	20/11/2012	Rd Fo	20/11/2012	Rd Fo	20/11/2012	Rd Fo
DIMENSIONS / ABMESSUNGEN / DIMENSIONI / DIMENSIONS DIMENSIONS / AFMETINGEN / PAZMERPI													
THIS DRAWING IS THE PROPERTY OF AU S.p.A. IT MUST NOT BE DISCLOSED, COPIED OR USED FOR PRODUCTION WITHOUT THEIR WRITTEN AUTHORISATION											6TDS0022		



LEGENDA 6SCZA001

6SCBO001

SCHEMA ELETTRICO / WIRING DIAGRAM / ELEKTRISCHES SCHEMA / SCHEME ELECTRIQUE  
SUT TNN - BT - TNNV - BTV

DATA 12/03/2012

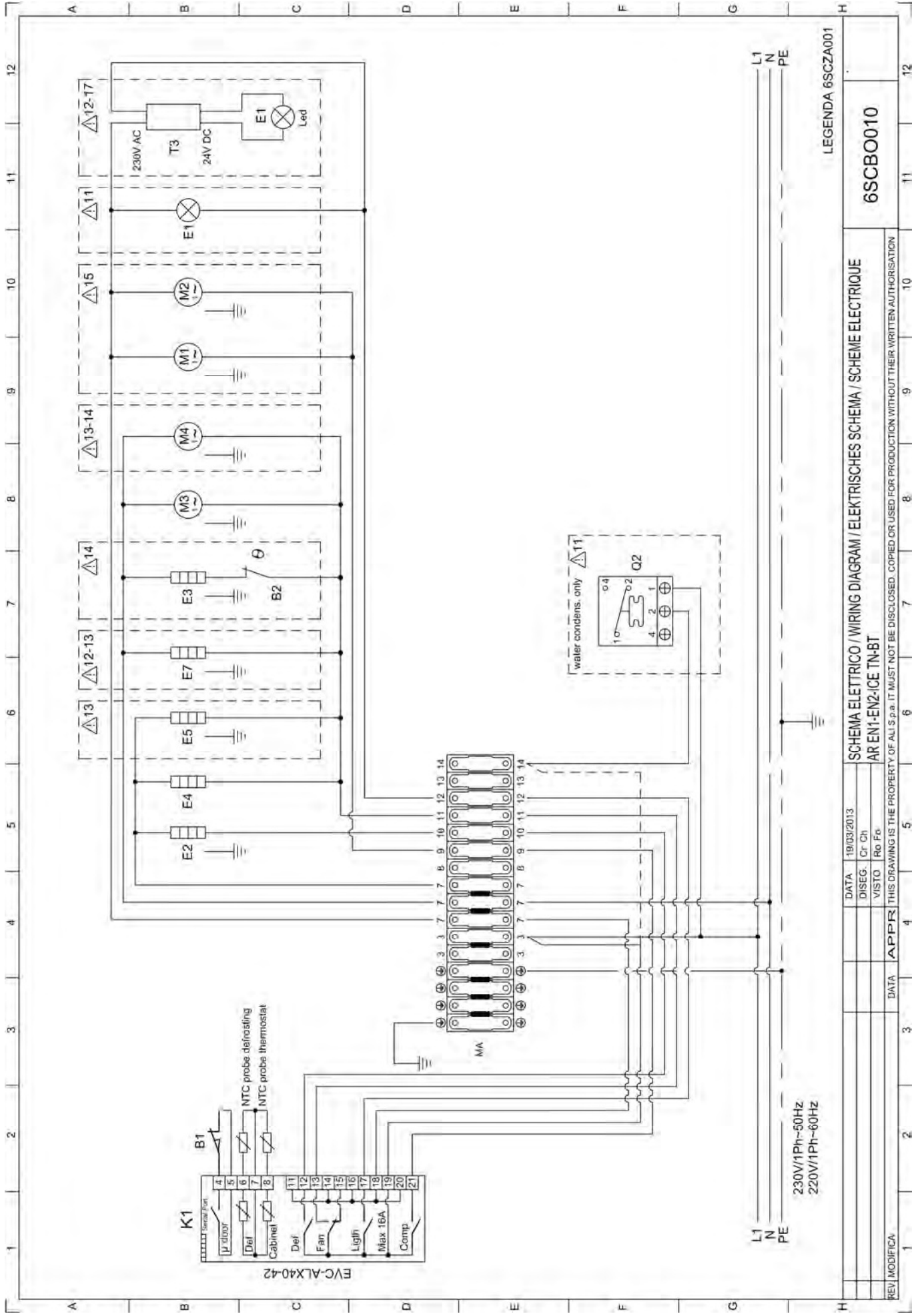
DISEG. Cr Ch

VISTO Ro Fo

DATA APPR

DATA

REV | MODIFICA







**PARAMETERS / PARAMETER / LISTA PARAMETRI / PARAMÈTRES / PARÁMETROS  
PARAMETERS / LISTE OVER PARAMETRE / ПАРАМЕТРЫ КОНФИГУРАЦИИ / قائمة المعايير**

PAR	Description / Descrizione / Beskrivelse	-3 +15	-30 -12	-25 -5	PAR
SP	working setpoint / Betriebssollwert / SET point di lavoro / point de consigne / punto de ajuste de trabajo / arbejdssætpunkt / рабочая установка температуры. [1]	-3	-12	-25	SP
SP2	Minimum evaporator temperature during Overcooling phase / Minima temperatura dell'evaporatore durante la fase di Overcooling		-55	-55	SP2
CA1	cabinet probe offset / Offset Zellensonde / calibr. sonda / offset sonde chambre / offset sonda cámara / sondekalibrering / отклонение датчика холодильной камеры.	0	0	0	CA1
CA2	evaporator probe offset / Offset Verdampfersonde / offset sonda evaporatore (°C) / offset sonde évaporateur / offset sonda evaporador / offset fordamprenhedssonde (°C) / Отклонение датчика испарителя.	0	0	0	CA2
P1	decimal point Celsius degree / Dezimalpunkt Grad Celsius / Punto decimale / point décimal degré Celsius / punto decimal grado Celsius / Decimalpunkt / визуализация значений температуры (0=NO; 1=YES)	0	0	0	P1
P2	unit of measure temp. / Maßeinheit Temperatur / unità di misura / unité de mesure temp. / unidad de medida temp. / måleenhed / единицы измерения температуры ; (0=°C; 1=°F) [3]	0	0	0	P2
P3	evaporator probe function / Funktion der Verdampfersonde / funzione sonda evap / fonction de la sonde évaporateur / función de la sonda evaporador / функция датчика испарителя (1=YES)	1	1	1	P3
P8	delay in display of variations in temp. detected by the probes /Verspätung Anzeige Variation der von den Fühlern gemessenen Temperaturen / ritardo visualizzaz (ds) / задержка показа температуры	5	5	5	P8
r0	working setpoint differential / Differentialbetriebssollwert / differenziale del setpoint di lavoro / différentiel du point de consigne / diferencial del punto de ajuste de trabajo / дифференциал рабочей установки	2	3	2	r0
r1	minimum working setpoint / Mindestbetriebssollwert / minimo setpoint di lavoro / point de consigne minimum / mínimo punto de ajuste de trabajo / минимальное значение рабочей установки	-3	-30	-25	r1
r2	maximum working setpoint / Maximalbetriebssollwert / massimo setpoint di lavoro / point de consigne maximum / máximo punto de ajuste de trabajo / максимальное значение рабочей установки	15	-12	-5	r2
r3	locking the working setpoint modification / Blockierung der Änderung des Betriebssollwerts / blocco della modifica del setpoint di lavoro / blocage de la modification du point de consigne / bloqueo de la modificación del punto de ajuste de trabajo / блокировка изменения рабочей установки (1=YES)	0	0	0	r3
r4	Increase in temp. during Energy Saving function // Incremento di temp. in funzione Energy Saving	0	0	0	r4
r5	decrease in temp. during Overcooling function / Abnahme der Temperatur während der Overcooling-Funktion / decremento in overcooling / diminution de la température durant la fonction Overcooling	3	3	3	r5
r6	duration of Overcooling function /Dauer der Overcooling-Funktion/ durata overcooling / overcoolingvarighed	0	30	0	r6
r7	Min. difference "cell temp. - working setpoint" (when the instrument switches on) such as to provoke the exclusion of the consequent value of the evaporator temp. among the ones used for the calculation of the relative average (for the defrost activation; if d8 = 3) / Derartiger Minimalunterschied "Temperatur der Zelle - Arbeitssollwert" (bei der Einschaltung des Gerätes), dass der Ausschluss des sich ergebenden Wertes der Verdampfer-temperatur zwischen denjenigen, die für die Berechnung des entsprechenden Mittelmaßes verwendet wurden, veranlasst wird (für die Aktivierung des Abtauens; wenn d8 = 3) / Min. differenza "temp. cella - setpoint" (all'accensione) tale da provocare l'esclusione del valore della temp.evaporatore tra quelli utilizzati per il calcolo della media per l'attivazione dello sbrinamento se d8 = 3) [4]	10			r7
C0	compressor delay since you turn on the instrument / Verspätung nach der Inbetriebnahme des Gerätes / ritardo compressore dall'accensione dello strumento / retard compresseur après la mise en marche de l'appareil / retardo compresor del encendido del instrumento / kompressorforsinkelse fra instrumentets tænding / задержка между включением прибора и первой активацией компрессора [4]	2	1	2	C0
C1	minimum time between 2 activations in succession of the comp./ Mindestzeit zwischen 2 aufeinanderfolgenden Einschaltvorgängen des Verdichters / tempo minimo tra 2 accensioni successive del compr. / temps minimum entre 2 mises en marche consécutifs du compr. / tiempo mínimo entre 2 encendidos consecutivos del compr [5] [6]	2	1	2	C1
C2	Minimum time the compressor remains turned off / Mindestdauer des Abschaltens des Verdichters / durata minima dello spegnimento del compr. / durée minimum de l'arrêt du compresseur / duración mínima del apagamiento del compresor / минимальное время, когда компрессор остается выключенным [5]	2	1	2	C2
C3	Minimum time the compressor remains turned on / Mindestdauer des Einschaltens des Verdichters / durata minima dell'accensione del compres. / durée minimum de la marche du compresseur / duración mínima del encendido del compresor / минимальное время, когда компрессор остается включенным	0	0	0	C3
C4	time the comp. remains turned off during the cabinet probe error / Abschaltdauer des Verdichters während Fehler Zellensonde / durata dello spegnimento del comp. durante l'errore sonda cella / durée de l'arrêt du comp. pendant l'erreur sonde chambre / duración del apagamiento del comp. durante el error sonda cámara	4	4	4	C4
C5	time the comp. remains turned on during cabinet probe error / Einschaltdauer des Verdichters währen Fehler Zellensonde / durata accensione del compr. durante l'errore sonda cella / durée de la marche du compres. pendant l'erreur sonde chambre / duración del encendido del compresor durante el error sonda cámara	5	6	6	C5
d0	defrost interval / Abtauinterval / intervallo tra sbrinamenti / intervalle de dégivrage / intervalo de desescarche / interval mellem afrimninger / интервал между процессами оттайки [9]	12	6	6	d0
d1	type of defrosting / Abtautyp / tipo sbrinamento / type de dégivrage / tipo de descongelación / Вид оттайки (0=electric; 1= Hot gas; 2=stop)	0	0	0	d1
d2	temp. at end of defrosting / Temperatur bei Abtauende / T fine def / temp. de fin dégivrage / temp. de final de descongelación	8	12	8	d2
d3	defrost duration / Abtaudauer / durata sbrinamento / durée du dégivrage / duración del desescarche / длительность процесса оттайки	25	45	25	d3
d4	defrost when you turn on the instrument / Abtaung bei Inbetriebnahme des Gerätes / sbrinamento all'accensione / dégivrage après la mise en marche de l'appareil / desescarche al encendido del instrumento (0=NO;1=YES) [4]	1	0	1	d4
d5	defrost delay when you turn on the instrument (if d4 = 1) / Abtaungverspätung bei Inbetriebnahme des Gerätes / ritardo sbrinamento all'accensione (se d4 = 1) / retard dégivrage après la mise en marche de l'appareil (si d4 = 1) / retardo desescarche del encendido del instrumento (si d4 = 1) [4]	60	0	60	d5
d6	temp. shown during the defrost / Während des Abtauvorgangs angezeigte Temperatur / visualizzazione temp. durante sbrinamento / temp. visualisée pendant le dégivrage / temp. visualizada durante el desescarche / фиксация на дисплее значения температуры в процессе оттайки [10]	1	1	1	d6
d7	dripping duration / Abtropfdauer / durata gocciolamento / durée d'égouttage / duración del goteo	2	5	2	d7
d8	kind of defrost interval / Typ des Abtauintervalls / tipo intervalo sbrinamento / Type de intervalle de dégivrage / tipo de intervalo de desescarche / тип интервала между процессами оттайки 0= Intervals – defr. will be activated once the instrument run for time d0; 1= Intervals – defr. will be activated once the compressor has switched on for time d0; 2= Intervals – defr. will be activated once the evaporator temp. has altogether been below temp. d9 for time d0; 3= Adaptable - defrosting will be activated when (condition 1) the evaporator temp. will be below temp. d22 and the compressor will altogether be switched on for time d18 or when (condition 2) the evaporator temp. will fall below temp. d19; 4= real time – def. will be activated at the times established in	0	3	3	d8

PAR	Description / Descrizione / Beskrivelse	-3 +15	-30 -12	-25 -5	PAR
	parameters Hd1 ... Hd6 [11]				
d9	evaporator temp. is higher than that at which the defrost interval counter is suspended / Temp. des Verdampfers bei deren Überschreiten das Zählen des Abtauvorgangs unterbrochen wird / conteggio d0 se tevap < d9 / temp. de l'évaporateur au-dessus de laquelle le comptage de l'intervalle de dégivrage est arrêté / temp. del evaporador por encima de la cual se suspende el cómputo del intervalo de descongelación	0	0	0	d9
d11	defrosting alarm switches off once maximum time limit has been reached (code "dFd"; if P3 = 1 / Aktivierung des Abtialarms für Maximaldauer abgeschlossen (Code "dFd"; wenn P3 = 1) / abilitazione dell'allarme sbrinamento concluso per durata massima (se P3 = 1) 1=YES	0	0	0	d11
dA	minimum compressor on duration on activation of defrosting so that they may be activated / Mindestdauer des Einschaltens des Verdichters bei Aktivierung des Abtauvorgangs, damit dieser aktiviert wird / min ON comp x def / durée min. de la mise sous tension du compresseur à l'activation du dégivrage afin que celui-ci puisse être activé / duración mínima del encendido del compresor cuando se activa la descongelación, para que se pueda activar [12]	0	0	0	dA
d16	predripping duration (the compressor will remain switched off, the defrosting output will be activated and the evaporator fan will remain switched off / Dauer des Vortropfens (während des Vortropfens, wird der Kompressor ausgeschaltet bleiben, der Abtauegang wird aktiviert werden und der Verdampferlüfter wird ausgeschaltet bleiben) / durata del pregocciamento (il compressore rimarrà spento, l'uscita di sbrinamento verrà attivata e il ventilatore dell'evaporatore rimarrà spento)	0	0	0	d16
d17	number of evaporator temp. values used for the calculation of the relative average (for the defrost activation; if d8 = 3) / Anzahl der Temperaturwerte des Verdampfers, die für die Berechnung des relativen Mittelwertes verwendet werden (für die Aktivierung des Abtauens; wenn d8 = 3) / numero di valori della temp. evaporatore utilizzati per il calcolo della relativa media (per l'attivazione dello sbrinamento; se d8 = 3)	4	4	4	d17
d18	defrost interval (if d8 = 3 and for condition 1) / Abtauintervall (wenn d8 = 3 e für die Bedingung 1) / intervalo di sbrin. (se d8 = 3 e per la condizione 1) / intervalle de dégivrage (si d8 = 3 et pour la condition 1)	40	40	40	d18
d19	evaporator temp. above which the defrost is activated (relative to the evaporator temp. average, or "evaporator temp. average - d19") (if d8 = 3 and for condition 2) / Verdampfer Temperatur, unterhalb derer das Abtauen aktiviert wird (bezogen auf den Mittelwert der Temperaturen des Verdampfers oder "Mittelwert der Temperaturen des Verdampfers - d19") (wenn d8 = 3 und für die Voraussetzung 2) / Temp. dell'evaporatore al di sotto della quale viene attivato lo sbrinamento (relativa alla media delle temp. dell'evaporatore, ovvero "media delle temp. dell'evaporatore - d19") (se d8 = 3 e per la condizione 2)	3	3	3	d19
d20	minimum consecutive time the compr. must be switched on such as to provoke the defrost activation / derartige Mindestdauer im Anschluss an die Einschaltung des Kompressors, dass sie die Aktivierung des Abtauens verursachen kann / durata minima consecutiva dell'accensione del compres. tale da provocare l'attivazione dello sbrinamento	180	180	180	d20
d21	minimum consecutive time the compressor must be switched on after the instrument switches on (on condition that the difference "cell temp. - working setpoint" is higher temp. r7) and after function Overcooling is activated such as to provoke the defrost activation / derartige Mindestdauer im Anschluss an die Einschaltung des Kompressors durch die Einschaltung des Gerätes (unter der Voraussetzung, dass die Differenz "Zelltemperatur - Betriebssollwert" über der Temperatur r7 liegt) und durch die Aktivierung der Overcooling-Funktion, dass sie die Aktivierung des Abtauens veranlasst / durata min. consecutiva dell'accensione del compressore dall'accensione dello strumento (a condizione che la differenza "temp. della cella - setpoint di lavoro" sia superiore alla temp. r7) e dall'attivazione della funzione Overcooling tale da provocare l'attivazione dello sbrinamento	200	200	200	d21
d22	evaporator temp. above which the defrosting interval is suspended (relative to the evaporator temp. average, or "evaporator temp. average + d22") (if d8 = 3 and for condition 1) / Verdampfer temp., oberhalb derer die Zählung des Abtauintervalls unterbrochen wird (bezüglich des Mittelwertes der Temp. des Verdampfers oder "Mittelwertes der Temp. des Verdampfers + d22") (wenn d8 = 3 und für die Voraussetzung 1) / temp. dell'evap. al di sopra della quale il conteggio dell'intervallo di sbrinamento viene sospeso (relativa alla media delle temp. dell'evaporatore, o "media delle temp. dell'evaporatore + d22") (se d8 = 3 e per la condizione 1)	0	0	0	d22
d23	evaporator temp. average increase during function Energy Saving (for defrost activation; if d8 = 3) / Zunahme des Mittelwertes der Temperaturen des Verdampfers während der Energy Saving-Funktion (für die Aktivierung des Abtauens; wenn d8 = 3) / incremento della media delle temp. dell'evap. durante la funzione Energy Saving (per l'attivazione dello sbrinamento; se d8 = 3)	1	1	1	d23
A0	Temperature associated with the min. temp. alarm / Temperaturwert, der dem Mindesttemp.larm zugeordnet ist / Temperatura associata ad allarme min / temp. associée à l'alarme de temp. minimum / temp. asociada a la alarma de temp. de mínima [13]	0	0	0	A0
A1	temp. below which lower temp. alarm is activated; / Schwelle für den Tief-Temperatur-Alarm / allarme temp. di minima / temp. en dessous de laquelle l'alarme de temp. basse est active / temp. por debajo de la cual es activada la alarma de temp. de mínima / Нижняя граница температуры для активации сигнала тревоги	-5	-20	-50	A1
A2	kind of lower temp. alarm / Alarmtyp Mindesttemperatur / tipo di allarme di temp. di minima / type de alarme de temp. basse / tipo de alarma de temp. de mínima 0= NO Alarm; 1=relative to SetPoint; 2=absolute	1	1	1	A2
A4	temp. above which the upper temp. alarm is activated / Temperaturwert, über dem der Maximaltemp.larm aktiviert wird / temp. al di sopra della quale viene attivato l'allarme di temp. di massima / empérature en dessus de laquelle l'alarme de temp. haute est activée / temp. por encima de la cual es activada la alarma de temp. de máxima / верхняя граница температуры для активации сигнала тревоги	10	20	10	A4
A5	kind of upper temp. alarm / Alarmtyp Maximaltemp. / tipo di allarme di temp. di massima / type de alarme de temp. haute / tipo de alarma de temp. de máxima 0= NO Alarm 1=relative to SetPoint; 2=absolute	1	1	1	A5
A6	upper temp. alarm delay since you turn on the instrument / Verspätung Hoch-Temperatur-Alarm nach der Inbetriebnahme des Gerätes / ritardo allarme di temp. di massima dall'accensione dello strumento / retard alarme de temp. haute après la mise en marche de l'appareil / retardo alarma de temp. de máxima del encendido del instrumento [4]	240	240	240	A6
A7	temp. alarm delay / Verspätung Temperatur-Alarm / ritardo allarme temp. / retardo alarma de temp. / retard alarme de temp. / время задержки сигнала температурной тревоги	90	15	90	A7
A8	upper temp. alarm delay since the end of the defrost / Verzögerung Maximaltemperaturalarm nach Ende der Abtauvorgang / ritardo allarme temp. dopo sbrinamento / retard alarme de temp. haute après la fin du dégivrage / retardo alarma de temp. de máxima del fin del desescarche [14]	15	15	15	A8
A9	delay in maximum temp. alarm / Verzögerung Alarm Maximaltemperatur nach Deaktivierung des Mikrotüreingangs / rit ALL / retard de l'alarme de temp. maximum à partir de la conclusion de l'arrêt de l'évaporateur / retardo de alarma de temp. de máxima desde la desactivación de la entrada microinterruptor puerta (15)	15	15	15	A9
Ab	Differential of parameters A1, A4 and F1 / diff ALL e vent evap (°C)	4	4	4	Ab
A13	Delay in minimum temp. Alarm since end of CONTINUOUS COLD function / / ritardo allarme di temperatura minima dalla conclusion della funzione FREDDO CONTINUO		120	120	A13
F0	evaporator fan activity during normal operation / Aktivität des Verdampferventilators während des Normalbetriebs / Fan COMP acceso / activités du ventilateur de l'évaporateur pendant le normal fonctionnement / actividad del ventilador del evaporador durante el funcionamiento normal / Tændt COMP ventilator / работа вентилятора испарителя при нормальной работе 0=switched off; 1=switched on; see also F13, F14 and i10; 2=in parallel with the compr.; see also F9, F13, F14 and i10; 3=dependent on F1 [17]; 4=switched off if the compr. is switched off, dependent on F1 if the compr. is switched on; see also F9 [16]; 5=dependent on F6; see also F9	1	5	1	F0
F1	evaporator temp. above the limit at which the evaporator fan is switched off / Verdampfer Temperatur bei deren Überschreiten der Verdampferventilator abgeschaltet wird / T max ON ventola evap / temp. de l'évaporateur en dessus de laquelle le ventilateur de l'évaporateur est arrêté / temp. del evaporador por encima de la cual se apaga el ventilador del evaporador	14	0	-2	F1
F2	evaporator fan activity during defrosting and dripping / Aktivität des Verdampferventilators während des Abtauens und Abtropfens / vent in def / activité du ventilateur de l'évaporateur pendant le dégivrage et l'égouttage / actividad del ventilador del evaporador durante la descongelación y el goteo	0	0	0	F2

PAR	Description / Descrizione / Beskrivelse	-3 +15	-30 -12	-25 -5	PAR
	0=switched off; 1=switched on (setting parameter d7 to 0 is recommended); 2=dependent on F0				
F3	maximum duration of evaporator fan disactivation / Dauer des Stillstands des Verdampferventilators / gocciolamento (min) / durée de l'arrêt ventilateur de l'évaporateur / duración de la parada del ventilador del evaporador / dryppen (min)	0	4	0	F3
F4	time duration that evaporator fan is switched off during operation for a low RH% when the compressor is switched off / Dauer der Ausschaltung des Verdampferlüfters während des Betriebs für niedrigen relativen Luftfeuchtigkeitsanteil, wenn der Kompressor ausgeschaltet ist / durata dello spegnimento del ventilatore dell'evaporatore durante il funzionamento per bassa UR% quando il compressore è spento	40	40	40	F4
F5	time duration that evaporator fan is switched on during operation for a low RH% when the compressor is switched off / Dauer der Einschaltung des Verdampferlüfters während des Betriebs für niedrigen relativen Luftfeuchtigkeitsanteil, wenn der Kompressor ausgeschaltet ist / durata dell'accensione del ventilatore dell'evaporatore durante il funzionamento per bassa UR% quando il compressore è spento	20	20	20	F5
F6	operation for low or high percentage of relative humidity / alta o bassa umidità relative 0=low RH% - evap. fan operate with compr.; see also F4 & F5; 1= high RH% - evap. fan always run [18]	0	0	0	F6
F7	evaporator temp. below limit at which the evaporator fan is disactivated / Verdampfertemperatur, unterhalb derer der Stillstand des Verdampferlüfters beendet wird / Temp. dell'evaporatore al di sotto della quale il fermo ventilatore dell'evaporatore viene concluso ("setpoint + F7");	5	5	5	F7
F8	parameter F1 differential / Differenzial des Parameters F1 / differenziale del parametro F1	2	2	2	F8
F9	delay in the switching off of evaporator fan following the switching off of the compressor (if F0 = 2, 4 and 5) / Verzögerung Ausschaltung Verdampferlüfter seit der Ausschaltung des Kompressors ( wenn F0 = 2, 4 und 5) / ritardo spegnimento ventilatore dell'evaporatore dallo spegnimento del compressore (se F0 = 2, 4 e 5)	0	0	0	F9
F12	delay in switching off of the condenser fan following the switching off of the condenser (if u1 and/or u11 = 6) / Ausschaltverzögerung Verdampferlüfter seit der Ausschaltung des Kompressors ( wenn u1 und/oder u11 = 6) / ritardo spegnimento ventilatore del condensatore dallo spegnimento del compressore (se u1 = 6);	0	0	0	F12
F13	time evaporator fan remains OFF during function Energy Saving; see also F14 and i10 (if F0=1 or 2) / Dauer der Ausschaltung des Verdampferlüfters während der Energy Saving-Funktion; siehe auch F14 und i10 (wenn F0 = 1 oder 2) / durata spegnimento ventilatore evap. durante funzione Energy Saving; vedi anche F14 e i10 (se F0=1 o 2)	40	40	40	F13
F14	time evaporator fan remains ON during function Energy Saving; see also F13 and i10 (if F0=1 or 2) / Dauer der Einschaltung des Verdampferlüfters während der Energy Saving-Funktion; siehe auch F13 und i10 (wenn F0 = 1 oder 2) / durata 'accensione ventilatore evap. durante la funzione Energy Saving; vedi anche F13 e i10 (se F0=1 o 2)	20	20	20	F14
i0	effect caused by the activation of the door microswitch input / durch die Aktivierung des Mikrotüreingangs verursachte Wirkung / effetto micro porta / effet provoqué par l'activation de l'entrée micro porte / efecto provocado por la activación de la entrada de microinterruptor de puerta / тип цифрового входа 0=any; 5=the evap. fan will be switched off (at most until time i3 or until the input has been disactivated) and the cell light will be switched on (if u1 and/or u11 = 0, until the input is disactivated) [20]	5	5	0	i0
i1	type of door microswitch input contact / Typ von Kontakt der Mikrotür / tipo contatto / type de contact de l'entrée micro porte / tipo de contacto de la entrada de microinterruptor de puerta 0=normally open (active input with closed contact); 1=normally closed (active input with open contact)	0	0	0	i1
i2	delay in signaling of door microswitch input alarm / Verzögerung Alarmanzeige Eingang Mikrotür / rit ALL micro / retard signalisation alarme entrée micro porte / retardo de señalización de la alarma de entrada de microinterruptor de puerta / задержки сигнала на входе сигнала тревоги от открывания двери	5	5	5	i2
i3	maximum duration of the effect caused by activation of the door microswitch on the compressor and the evaporator fan / Maximaldauer der durch die Aktivierung des Mikrotüreingangs verursachten Wirkung auf Verdichter und Verdampferventilator / T max effetto micro / durée maximum de l'effet provoqué par l'activation de l'entrée micro porte sur le compresseur et sur le ventilateur de l'évaporateur / duración máxima del efecto provocado por la activación de la entrada del microinterruptor de puerta en el compresor y en el ventilador del evaporador	15	-1	15	i3
i4	storage of door microswitch input alarm / Speicherung des Alarms Mikrotüreingang / memorizzazione ALL micro / mémorisation de l'alarme d'entrée micro porte / memorización de la alarma de entrada microinterruptor de puerta [21]	1	1	1	i4
i10	time without activations of the door switch input (on condition that the cabinet temp. has reached the working setpoint) in order that function Energy Saving is activated automatically / tempo che deve trascorrere in assenza di attivazioni dell'ingresso micro porta (dopo che la temp. della cella ha raggiunto il setpoint di lavoro) affinché la funzione Energy Saving venga attivata automaticamente	0	0	0	i10
i11	minimum time the door switch input must be activated such as to provoke the exclusion of the consequent value of the evaporator temp. among the ones used for the calculation of the relative average (for the defrost activation; if d8 = 3); / durata minima dell'attivazione dell'ingresso micro porta tale da provocare l'esclusione del conseguente valore della temp. dell'evaporatore tra quelli utilizzati per il calcolo della relativa media (per l'attivazione dello sbrinamento; se d8 = 3);	15	15	15	i11
i12	minimum time the door switch input must be activated altogether such as to provoke the exclusion of the consequent value of the evaporator temp. among the ones used for the calculation of the relative average (for the defrost activation; if d8 = 3 / / durata minima complessiva delle attivazioni dell'ingresso micro porta tale da provocare l'esclusione del conseguente valore della temp. dell'evaporatore tra quelli utilizzati per il calcolo della relativa media (per l'attivazione dello sbrinamento; se d8 = 3	60	60	60	i12
i13	number of door switch input activations such as to provoke the defrost activation / derartige Anzahl der Aktivierungen des Mikroporteingangs, dass die Aktivierung des Abtauens veranlasst wird / numero di attivazioni dell'ingresso micro porta tale da provocare l'attivazione dello sbrinamento	0	0	0	i13
i14	minimum duration of the door switch input activation such as to provoke the defrost activation / derartige Mindestdauer des Mikroporteingangs, dass die Aktivierung des Abtauens veranlasst wird / durata minima dell'attivazione dell'ingresso micro porta tale da provocare l'attivazione dello sbrinamento	0	6	6	i14
u1	Operation controlled by 4th output / vom vierten Ausgang verwalteter Verbraucher / Utenza gestita da 4a uscita / connexion gérée par la quatrième sortie 0= cell light; 4= door resistors	0	0	0	u1
u2	Enabling of manual switch on/off of the cell light or the auxiliary output when the instrument is switched off (only if u1=0 or 2) // Abilitazione dell'accensione/spegnimento manuale luce cella o uscita ausiliaria con strumento spento (solo se u1=0 o 2) [24]	0	0	0	u2
u4	Enabling of alarm output diactivation with the silencing of the buzzer (only if u1=3) / Abilitazione della disattivazione uscita di allarmi + tacitazione buzzer (solo se u1=3)	1	1	1	u4
u5	Cell temp. below that at which the door resistors are switched on (only if u1=4) // Temp. cella oltre la quale le resistenze della porta vengono spente (solo se u1=4) [7]	99	99	99	u5
u6	Operating time of demistor resistors (only if u1=1) / Dauer der Einschaltung der ntibeslagwiderstände (nur, wenn u1) / Durata dell'accensione delle resistenze antiappannamento (solo se u1=1)	5	5	5	u6
u7	Cell temp. below that at which the evaporator valve is disactivated ( Setpoint + u7) (only if u1=5) / Temp. cella sotto la quale la valvola dell'evaporatore viene disattivata ( Setpoint + u7) (solo se u1=5) [7]	2	2	2	u7
u8	Type of evaporator valve contact (only if u1=5) // Tipo di contatto della valvola dell'evaporatore (solo se u1=5) / type de contact de la soupape de l'évaporateur / tipo de contacto de la válvula del evaporador	0	0	0	u8
u9	Enabling of buzzer / Freigabe des Summers / Abilitazione buzzer / habilitation de l'avertisseur sonore	1	1	1	u9
LA	instrument address / Geräteadresse / indirizzo strumento / dirección instrumento / adresse appareil / instrumentadresse / адрес прибора	247	247	247	LA
Lb	baud rate / baud rate / baud rate / baud rate / baud rate / baud rate / скорость передачи сигнала	2	2	2	Lb
LP	Parity / Parität / Parità / paridad / parité / Четность	2	2	2	LP

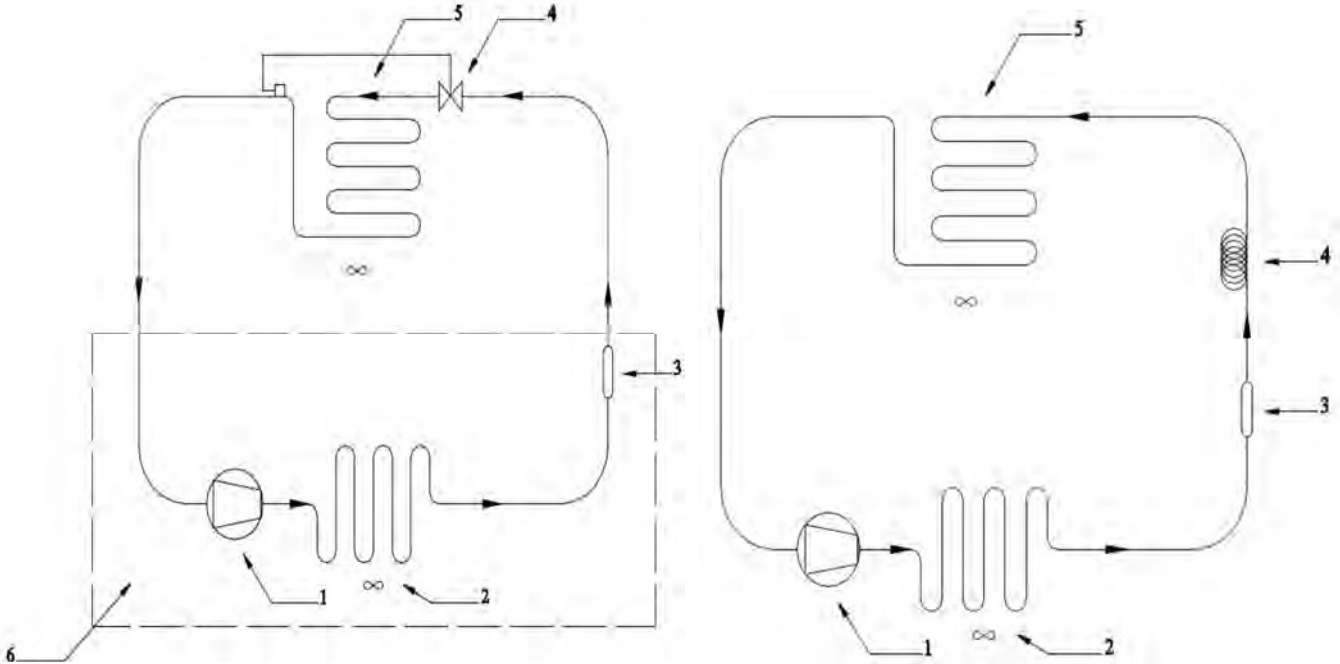
### ■ ENGLISH

- (1) The unit of measurement depends on P2 parameter
- (3) Properly set the parameters corresponding to the regulators after modifying P2 parameter
- (4) The parameter has effect even after an interruption in the power supply that occurs while the instrument is switched on
- (5) The time established with the parameter is counted even when the instrument is switched off
- (6) If parameter C1 is set to 0, the delay after the end of the cell probe error will be 2 minutes
- (7) The parameter differential is 2,0 °C / 4 °F
- (8) If when the instrument is switched on the condenser temperature is already above that established in C7 parameter, than C8 parameter will not have effect
- (9) The instrument stores the defroster interval count every 30 minutes; the modification of d0 parameter takes effect following the end of the preceding interval of following the activation of manual defrosting
- (10) The display returns to normal operation when, at the end of evaporator fan disactivation, the cell temperature falls below that at which the display was initially blocked (or if a temperature alarm is signaled)
- (11) If P3 parameter is set 0 or 2, the instrument will function as if d8 parameter were set to 0
- (12) If when defrosting is activated, the operating duration of the compressor is less than the time established with parameter dA, the compressor will remain on for the amount of time necessary to complete defrosting
- (13) If P3 parameter is set to 0, the instrument will function as if A0 parameter were set to 0, but will not store the alarm
- (14) During defrosting and dripping and when the evaporator fan is stopped, the temperature alarms are absent, provided that these were signaled after the activation of defrosting
- (15) During activation of the door microswitch input, the maximum temperature alarm is absent, provided the alarm was signaled after the activation of the input
- (16) When power is restored, the alarm will always be signaled
- (17) If P3 parameter is set to 0, the instrument will function as if F0 parameter were set to 2
- (18) The parameter is also modified pressing for some seconds button UP on the keyboard
- (19) If parameter P4 is set to 0, the condenser fan will work together with the compressor
- (20) The compressor is switched off 10 seconds after the activation of the input; if the input is activated during defrosting or when the evaporator fan is deactivated, the activation will not have any effect on the compressor
- (21) The instrument stores the alarm once the time established in i2 parameter has expired; if i2 parameter is set to -1, the instrument will not store the alarm
- (22) Make sure that the time established with i7 parameter is less than that established with i9 parameter
- (23) To avoid damaging the unit connected to the instrument, change the parameter setting when the instrument is switched off
- (24) If u2=0, switching off the instrument will cause the cell light or the aux output to switch off (the next time the instrument is switched on the unit connected will remain switched off); If u2= 1, switching off the instrument will not cause the cell light or the aux output to switch off (the next time the instrument is switched on the unit connected will remain switched on)

### ■ ITALIANO

- (1) L'unità di misura dipende dal parametro P2
- (3) Impostare opportunamente i parametri relativi ai regolatori dopo la modifica del parametro P2
- (4) Il parametro ha effetto anche dopo un'interruzione dell'alimentazione che si manifesta quando lo strumento è acceso
- (5) Il tempo stabilito con il parametro viene conteggiato anche quando lo strumento è spento
- (6) Se il parametro C1 è impostato a 0, il ritardo dalla conclusione dell'errore sonda cella sarà comunque di 2 min
- (7) Il differenziale del parametro è di 2,0 °C / 4 °F
- (8) Se all'accensione dello strumento la temperatura del condensatore è già al di sopra di quella stabilita con il parametro C7, il parametro C8 non avrà effetto
- (9) Lo strumento memorizza il conteggio dell'intervallo di sbrinamento ogni 30 min; la modifica del parametro d0 ha effetto dalla conclusione del precedente intervallo di sbrinamento o dall'attivazione di uno sbrinamento in modo manuale
- (10) Il display ripristina il normale funzionamento quando, concluso il fermo ventilatore dell'evaporatore, la temperatura della cella scende al di sotto di quella che ha bloccato il display (o se si manifesta un allarme di temperatura)
- (11) Se il parametro P3 è impostato a 0 o 2, lo strumento funzionerà come se il parametro d8 fosse impostato a 0
- (12) Se all'attivazione dello sbrinamento la durata dell'accensione del compressore è inferiore al tempo stabilito con il parametro dA, il compressore rimarrà ulteriormente acceso per la frazione di tempo necessaria a completarlo
- (13) Se il parametro P3 è impostato a 0, lo strumento funzionerà come se il parametro A0 fosse impostato a 0 ma non memorizzerà l'allarme
- (14) Durante lo sbrinamento, gocciolamento, fermo ventil. evap. e allarmi di temp. sono assenti, a condizione che questi si siano manifestati dopo l'attivazione dello sbrinamento
- (15) Durante l'attivazione dell'ingresso micro porta l'allarme di temperatura di massima è assente, a condizione che questi si sia manifestato dopo l'attivazione dell'ingresso
- (16) Al ripristino dell'alimentazione l'allarme viene sempre segnalato
- (17) Se il parametro P3 è impostato a 0, lo strumento funzionerà come se il parametro F0 fosse impostato a 2
- (18) Il parametro viene modificato anche premendo per alcuni secondi sul pulsante UP della tastiera
- (19) Se il parametro P4 è impostato a 0, il ventilatore del condensatore funzionerà parallelamente al compressore
- (20) Il compressore viene spento trascorsi 10 s dall'attivazione dell'ingresso; se l'ingresso viene attivato durante lo sbrinamento o il fermo ventilatore dell'evaporatore, l'attivazione non provocherà alcun effetto sul compressore
- (21) Lo strumento memorizza l'allarme trascorso una volta che il tempo stabilito con il parametro i2 è scaduto; se il parametro i2 è impostato a -1, lo strumento non memorizzerà l'allarme
- (22) Assicurarsi che il tempo stabilito con il parametro i7 sia inferiore a quello stabilito con il parametro i9
- (23) Per evitare di danneggiare l'utenza collegata, modificare il parametro quando lo strumento è spento
- (24) Se u2=0, lo spegnimento dello strumento provocherà l'eventuale spegnimento della luce cella o dell'uscita aux (alla successiva accensione l'utenza rimarrà spenta); se u2=1, lo spegnimento dello strumento non provocherà l'eventuale spegnimento della luce cella o dell'uscita aux (alla successiva accensione l'utenza rimarrà accesa)

**REFRIGERATION CIRCUIT DIAGRAM / SCHEMA DES KÜHLKREISLAUFS / SCHEMA CIRCUITO FRIGORIFERO / SCHEMA CIRCUIT FRIGORIFIQUE / ESQUEMA CIRCUITO FRIGORIFICO / SCHEMA CIRCUIT KOELKAST / SKEMA OVER KØLEKREDSLØB / КОНТУРНАЯ СХЕМА ХОЛОДИЛЬНИКА**



1 Compressor	ENGLISH	1 Kompressor	DEUTSCH	1 Compressore	ITALIANO	1 Compresseur	FRANÇAIS
2 Condenser		2 Kondensator		2 Condensatore		2 Condenseur	
3 Filter drier dirty		3 Filtertrockner schmutzig		3 Filtro deidratatore		3 Filtro secador sucio	
4 Capillary tube		4 Kapillarrohr		4 Capillare		4 Tube capillaire	
4 Valve		4 Ventil		4 Valvola termostatica		4 Vanne	
5 Evaporator		5 Verdampfer		5 Evaporatore		5 Evaporateur	
6 Will be borne by the installer (remote unit versions)		6 auf Verantwortung des Installateurs (für zentralkühlung)		6 A carico dell'installatore (versioni predisposte)		6 A charge de l'installateur (pour groupe a distance)	
1 Compresor	ESPAÑOL	1 Compresor	NEDERLANDS	1 Kompressor	DANSK	1 Компрессор	РУССКИЙ
2 Condensador		2 Condensator		2 Kondensator		2 Конденсатор	
3 Filtro secador sucio		3 Filter dehydrateerder		3 Dehydreringsfilter		3 Обезвоживающий фильтр	
4 Tubo capilar		4 Capillair		4 Kapillærrør		4 Капилляр	
4 Válvula		4 Ventiel		4 Termostatventil		4 Клапан	
5 Evaporador		5 Verdampfer		5 Fordamperenhed		5 Испаритель	
6 Bajo la direccion del instalador (con motor remoto)		6		6 Installatørens opgave (forberedte udgaver)		6 будет переносил монтажником	

All specifications and data are subject to change without notice. Copyright

Die Daten des vorliegenden Handbuchs sind nicht bindend und können vom Erbauer ohne Vorankündigungspflicht geändert werden. Unerlaubte Abdrücke verboten.

I dati contenuti nel presente manuale non sono impegnativi e possono essere cambiati dal costruttore senza obblighi di preavviso. Riproduzione anche parziale vietata

Des modifications aux produits peuvent être apportées sans préavis du constructeur. Reproduction même partielle interdite

Los datos contenidos en el presente manual no constituyen una obligación para el fabricante, que puede modificarlos sin previo aviso. Queda prohibida la reproducción total o parcial.

De gegevens van deze handleiding zijn niet bindend en kunnen door de constructeur gewijzigd worden zonder verplichting vooraf te verwittigen. Reproductie, ook gedeeltelijk, verboden

Dataen der findes i manualen er ikke forpligtende og kan ændres af fabrikanten uden forvarselspligt. Reproduktion selv delvis er forbudt

Данные, содержащиеся в данном руководстве, не являются обязательными и могут быть изменены изготовителем без предварительного уведомления. Воспроизведение, даже частичное, запрещено