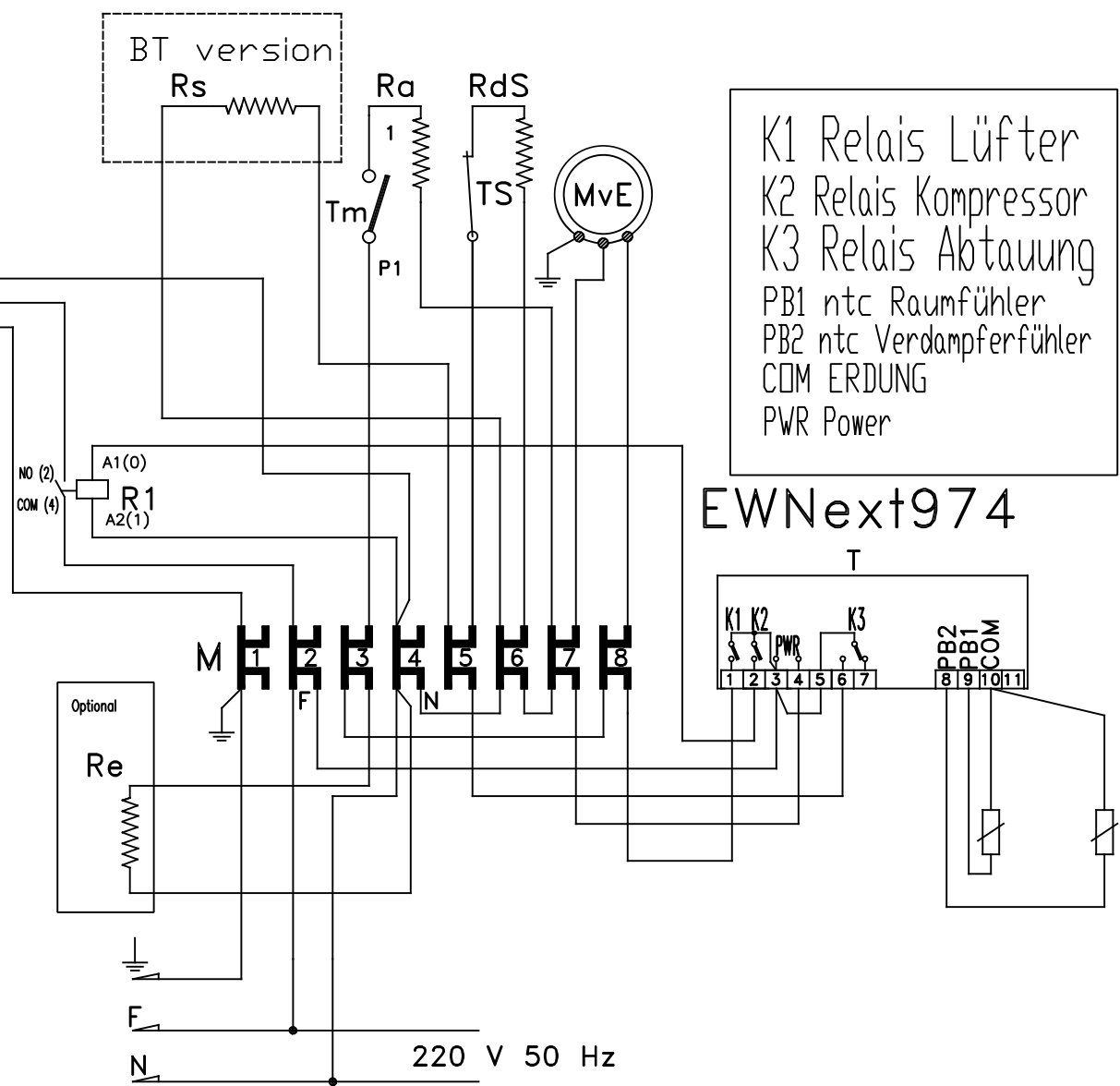
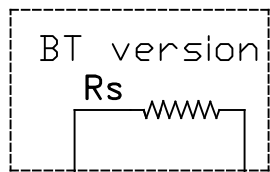
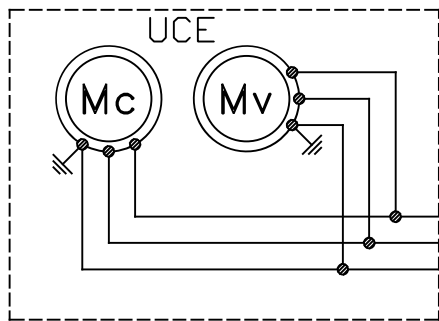


# SCHALTPLAN



KBS Gastrotechnik GmbH – Schoßbergstraße 26 – 65201 Wiesbaden



K1 Relais Lüfter  
 K2 Relais Kompressor  
 K3 Relais Abtauung  
 PB1 ntc Raumfühler  
 PB2 ntc Verdampferfühler  
 COM ERDUNG  
 PWR Power

### EWNnext974

T	CENTRALINA EWNnext974	R1-2	RELE' 1 CONTATTO
Mc	COMPRESSORE	Rs	RESISTENZA DI SCARICO 80W
Mv	VENTILATORE CONDENSATORE	Ts	TERMOSTATO SICUREZZA
MvE	VENTILATORE EVAPORATORE	Ra	RESISTENZA ANTIAPPANNANTE
M	MORSETTIERA	RdS	RESISTENZA DI SBRINAMENTO
Re	RESISTENZA EVAPORAZIONE ACQUA	Tm	TERMOSTATO CORNICE PORTA
T	ELECTRONIC CONTROL UNIT EWNnext 974	R1-2	POWER CONTACTOR
Mc	COMPRESSOR	Rs	DISCHARGE RESISTANCE 80W
Mv	CONDENSER FAN	Ts	SAFETY THERMOSTAT
MvE	EVAPORATOR FAN	Ra	ANTI-FOGGING RESISTOR
M	FUSE TERMINAL BOARD	RdS	DEFROSTING RESISTOR
Re	EVAPORATION RESISTOR	Tm	FRAME HEATER THERMOSTAT
T	CENTRALE ELECTRONIQUE EWNnext 974	R1-2	RELAIS 1 CONTACT
Mc	COMPRESSEUR	Rs	RESISTANCE DE DECHARGEMENT 80W
Mv	VENTILATEUR CONDENSEUR	Ts	THERMOSTAT DE SECURITE
MvE	VENTILATEUR EVAPORATEUR	Ra	RESISTANCE ANTI-BROUILLARD
M	TERMINAL	RdS	RESISTANCE DE DEVIRAGE
Re	RESISTANCE A' L'EAU D'EVAPORATION	Tm	THERMOSTAT DE CHAUFFAGE DE CADRE
T	DIGIT-THERMOSTAT EWNnext 974	R1-2	RELAISKONTAKT
Mc	KOMPRESSOR	Rs	ABLAUFHEIZUNG 80W
Mv	VENTILATOR FUR KONDENSATOR	Ts	SICHERHEITS THERMOSTAT
MvE	VENTILATOR FUR VERDAMPFER	Ra	TÖRRAHMENHEIZUNG
M	KLEMMKASTEN	RdS	ABTAUHEIZUNG
Re	WASSERVERDUNSTUNGSHEIZUNG	Tm	THERMOSTAT FÜR TÖRRAHMENHEIZUNG