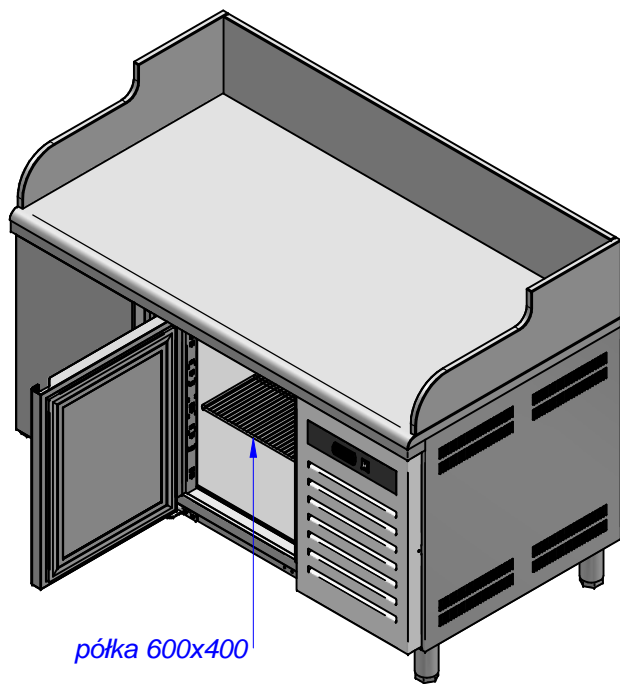


O

G - Evaporator  
O - Drainage



półka 600x400

CNC:

-		<b>GTP-8-150-20 GR</b>				-		<b>19068920</b>				-						
N°		TITLE				QTY		CODE				MATERIAL		TREATMENT				
GENERAL TOLERANCES:		ISO 2768-1				Very Coarse				<b>ONNERA POLAND</b>		SHEET FORMAT:		A4				
LINEAR	<3mm	±0.05	±0.10	±0.20	±0.15	ANGULAR	<10mm	±1°	±1°30'			±3°	DESIGNED BY		VALIDATED BY		DATE	
	3-6mm	±0.05	±0.10	±0.20			10-50mm	±30'	±1°			±2°	SHEET:		1 / 1			
	6-30mm	±0.10	±0.20	±0.50			50-120mm	±20'	±30'			±1°	SCALE:		1:20			
	30-120mm	±0.15	±0.30	±0.80			120-400mm	±10'	±15'			±30'						
	120-400mm	±0.20	±0.50	±1.20			>400mm	±5'	±10'			±20'						
400-1000mm	±0.30	±0.80	±2.00		GENERAL TOLERANCE FOR FORM AND POSITION:		ISO 2768-2											
1000-2000mm	±0.50	±1.20	±3.00		VERSION		REGION				Blad: brak odniesienia							
						PROPOSED BY:						ISSUE DATE:						