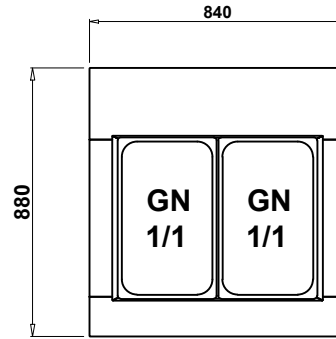
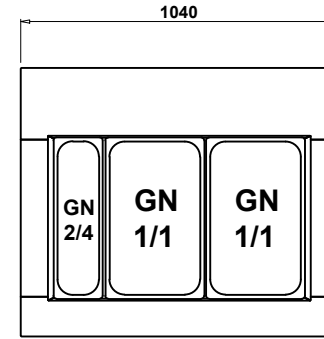


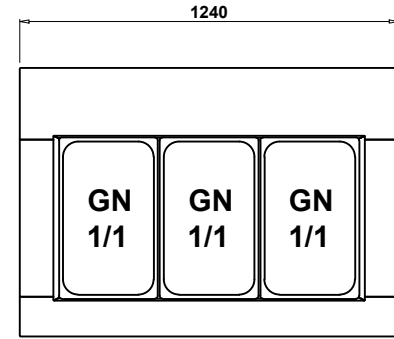
0.8



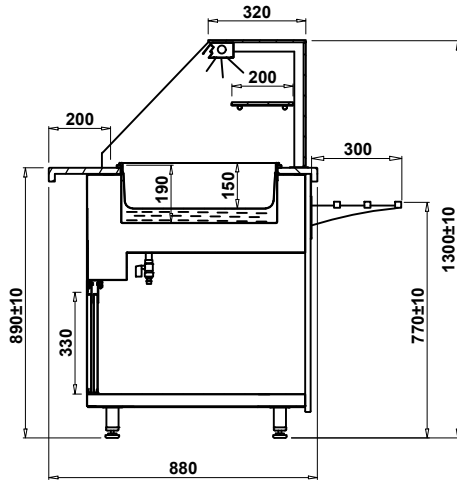
1.0



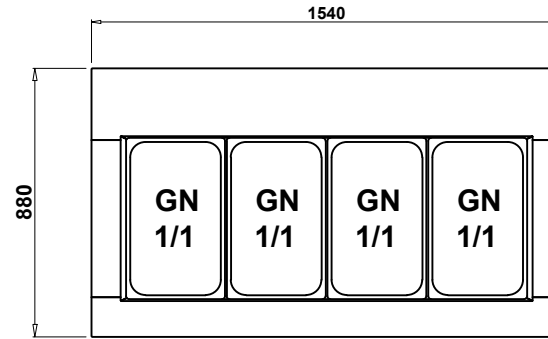
1.2



GASTROLINE PREMIUM BEMAR Z



1.5



2.0

