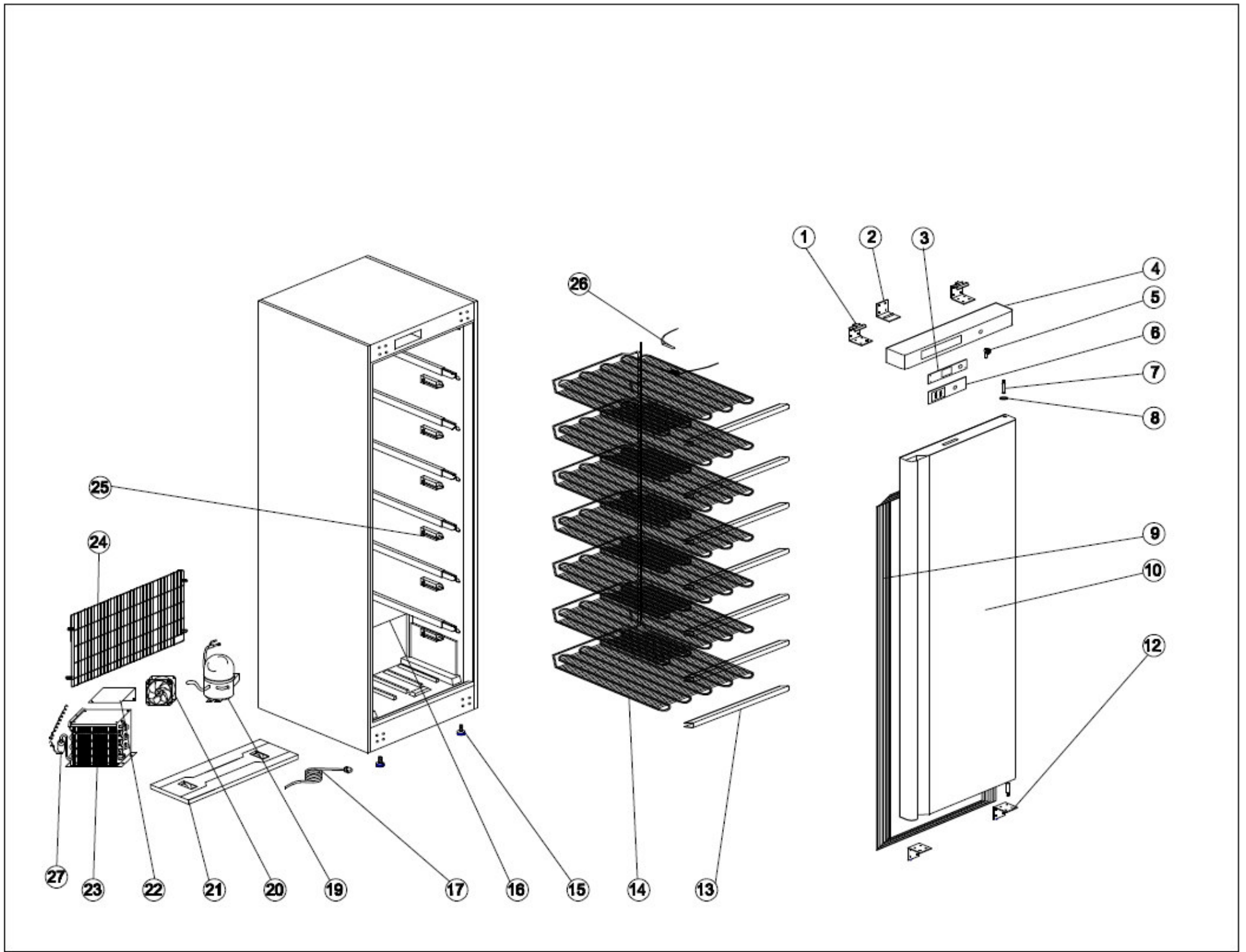


# Explosionszeichnung

Tiefkühlschrank  
KBS 602 TK CHR



KBS Gastrotechnik GmbH - Johannes-Kepler-Str. 14 - 55129 Mainz



## SPARE PARTS LIST

NO	CODE	NAME		MODEL	QTY	MATERIA	Airfreight cost
1	HF600.01	UP HINGE	110110036		2PCS		A
2	HF600.02	HOOK OF LOCK	110110044		1PC		A
3	HR600.09	THERMOSTAT SUPPORT			1PC	PLASTIC	A
4	HR600.04	FRONT PANEL			1PC	PLASTIC	A
5	HR200.86	LOCK	107130008		1PC		A
6	HF600.07	THERMOSTAT	104020085	LTC-24HT	1PC		A
7	HF600.19	HINGE AXIS	107110010	Φ7	2PCS		A
8	GN2100TN.07	BUSHING	108300022		1PC		A
9	HF600.06	GASKET	108270287		1PC		A
10	HR600.08	DOOR			1PC		F
12	HF600.08	DOWN HINGE			2PCS		A
13	HF600.29	EVAPORATOR SUPPORT	108030408		7PCS		A
14	HF600.10	EVAPORATOR			1PC		D
15	S900.13	FEET			2PCS		A
16	HF600.11	BODY			1PC		G
17	S900.47	PLUG			1PC		A
19	G-HF600.01	COMPRESSOR	104010089	HTH14AA	1PC		G
20	S900.34	CONDENSER FAN		SA1238A2	1PC		B
21	HF600.12	UNITE BOARD			1PC		C
22	VRX.20	FAN SUPPORT			1PC		A
23	HF600.17	CONDENSER	113020003		1PC		B
24	HF600.13	UNITE ROOM GRILLS	109040029		1PC		A
25	HF600.14L	EVAPORATOR FIXER LEFT	108110058		7PCS	PLASTIC	B
25	HF600.14R	EVAPORATOR FIXER RIGHT	108110059		7PCS	PLASTIC	B
26	S900.32	SENSOR	#NV		1PC		A
27	HR200.20	FILTER DRIER	107180011		1PC		A