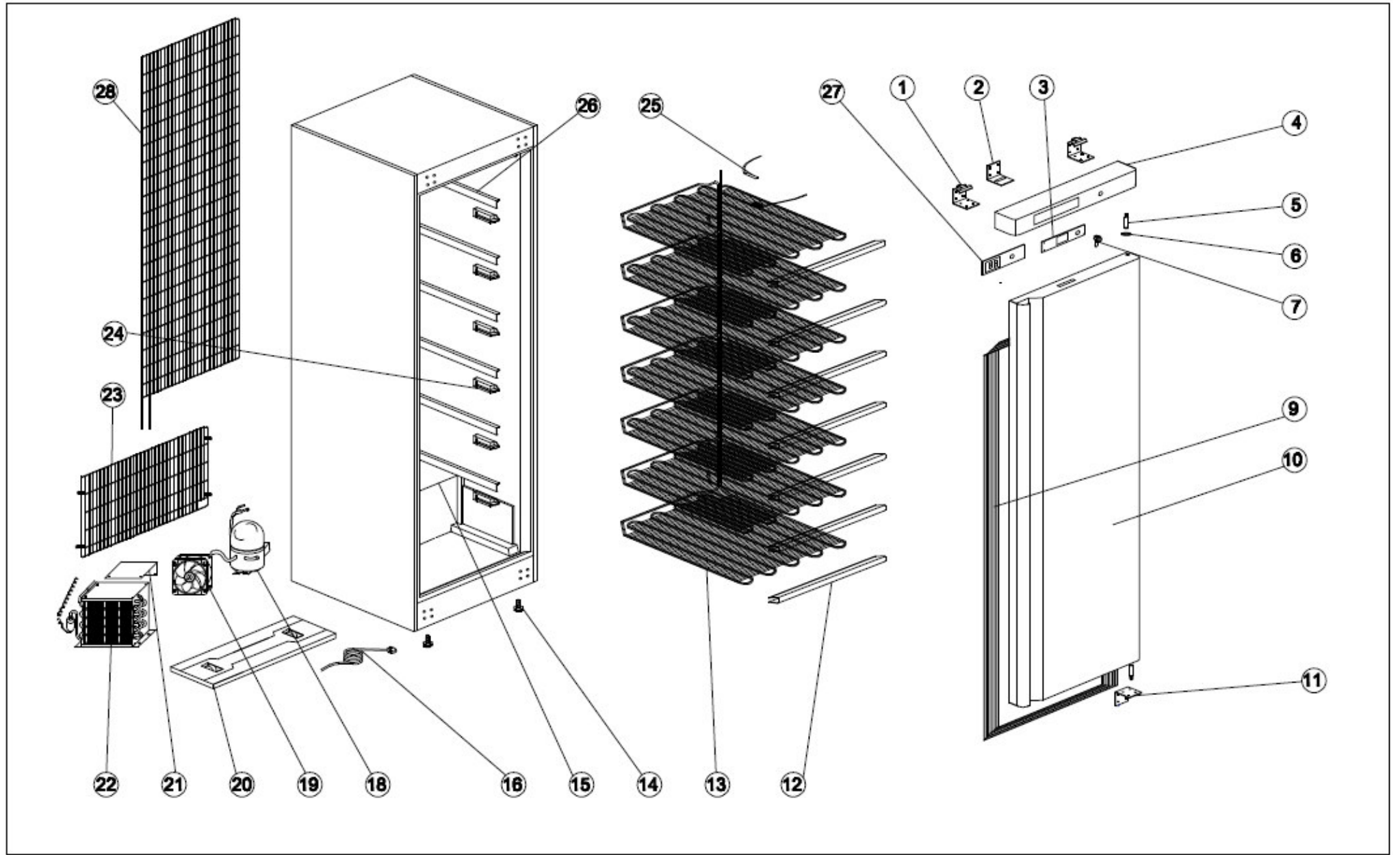


Explosionszeichnung

Tiefkühlschrank
KBS 502 TK CHR



KBS Gastrotechnik GmbH - Johannes-Kepler-Str. 14 - 55129 Mainz



SPARE PARTS LIST

NO	CODE	NAME	MODEL	QTY	MATERIA	REMAR
1	HF600.01	UP HINGE		2PCS		
2	HF600.02	HOOK OF LOCK		1PC		
3	HR600.09	THERMOSTAT SUPPORT		1PC		
4	HR500.07	FRONT PANEL SUPPORT		1PC	WHITE	
5	HF600.19	HINGE AXIS	Φ7	2PCS		
6	GN2100TN.0	BUSHING		1PC		
7	HR200.86	LOCK		1PC		
9	HR500.01	GASKET		1PC		
10	HR500.02	DOOR		1PC		
11	HF600.08	DOWN HINGE		1PC		
12	HF500.01	EVAPORATOR SUPPORT		7PCS		
13	HF500.05	EVAPORATOR		1PC		
14	S900.13	FEET		2PCS		
15	HF500.02	BODY		1PC		
16	S900.47	PLUG		1PC		
18	G-HF600.01	COMPRESSOR	HTH14A	1PC		
19	S900.34	CONDENSER FAN	SA1238A	1PC		
20	HR500.05	UNITE BOARD		1PC		
21	VRX.20	FAN SUPPORT		1PC		
22	HF600.17	CONDENSER		1PC		
23	HF600.13	UNITE ROOM GRILLS		1PC		
24	HF500.03	EVAPORATOR FIXER		7PAIR		
25	S900.32	SENSOR		1PC		
26	HF500.04	SUPPORT		14PCS		
27	HF600.07	THERMOSTAT	LTC- 24117	1PC		
28	HF500.09	CONDENSER		1PC		