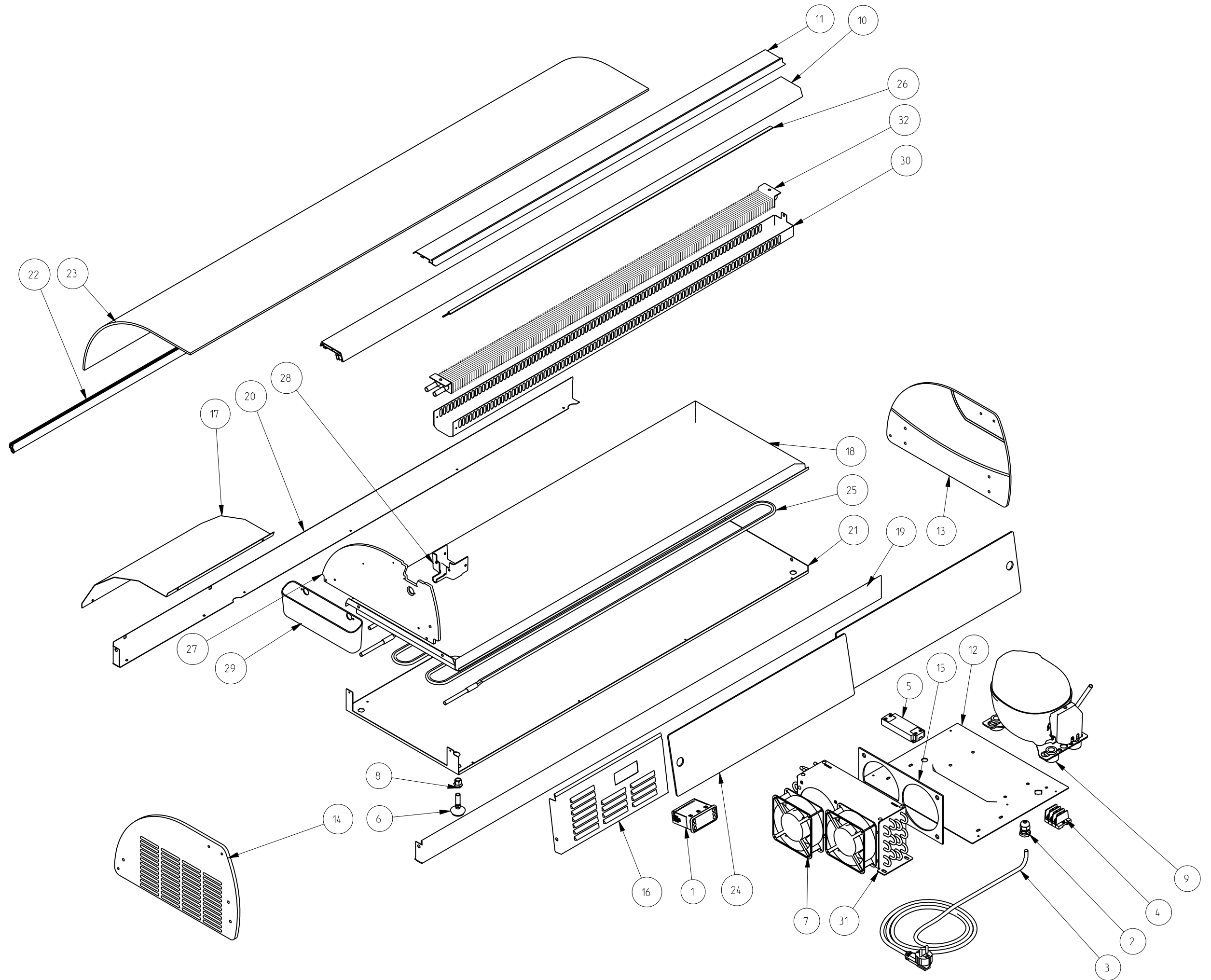


EXPLOSIONSZEICHNUNG



KBS Gastrotechnik GmbH – Schoßbergstraße 26 – 65201 Wiesbaden



**SUSHI GN**

POS	DESCRIZIONE
1	Centralina elettronica / Electronic control / Elektronische Tafel / Contrôle électronique / Control electronico
2	Pressacavo / Cable clip / Kabelhalter / Porte-câble / Sujeta-cables
3	Cavo d'alimentazione / Supply cable / Speisekabel / Câble d'alimentation / Cable de alimentación
4	Morsettiera / Terminal block / Klemmbrett / Borne / Conector
5	Alimentatore / Power supply unit / Netzteil / Alimentateur / Alimentador
6	Piedino di registro / Adjusting foot / Einstellungsfuß / Pied de réglage / Pata de regulación1
7	Ventilatore / Fan / Ventilator / Ventilateur / Ventilador
8	RIVETTO ESAGONALE (M10) / HEXAGONAL RIVET (M10) / SECHSKANTNIET (M10) / RIVET HEXAGONAL (M10) / Remache hexagonal (M10).
8	RIVETTO ESAGONALE (M10) / HEXAGONAL RIVET (M10) / SECHSKANTNIET (M10) / RIVET HEXAGONAL (M10) / Remache hexagonal (M10).
8	RIVETTO ESAGONALE (M10) / HEXAGONAL RIVET (M10) / SECHSKANTNIET (M10) / RIVET HEXAGONAL (M10) / Remache hexagonal (M10).
9	Compressore / Compressor / Kompressoraggregat / Compresseur / Compresor
10	Supporto plafoniera / Lamp cover holder / Lager für Lampenschutz / Support pour plafonnier / Soporte plafón.
11	Supporto in alluminio / aluminum support / Aluminiumunterstützung / soutiens en aluminium / Respaldo de aluminio
12	Telaio in ferro / Iron frame / Rahmen aus Eisen / Châssis en fer / Armazon de acero.
13	Fiancata sinistra / Left side / Linke seite / Joue gauche / Parte lateral izquierda.
14	Fiancata destra / Right side / Rechte seite / Joue Droite / Parte lateral derecha.
15	Guarnizione / Gasket / Dichtung / Joint / Burlete
16	Pannello strumenti / Toolbox / Gremium für die Werkzeuge / Panneau des outils / Panel de los instrumentos
17	Carter / Sump / Ölwanne / Puisard / Sumidero
18	Vasca / Basin / Wanne / Bac / Cuba.
19	Supporto posteriore / back support / Zurück zu unterstützen / Retour appuyer / Volver apoyar
20	Supporto anteriore / Front Support / Frontunterstützung / Support antérieur / Soporte anterior
21	Fondo / Bottom / Boden / Bas / Parte inferior
22	Profilo del vetro / Profile of the glass / Profil vom Glas / Profil du verre / Perfil del vidrio
23	Vetro curvo / Bent glass / Gebogene Glasscheibe / Vitre courbe / Vidrio curvo.
24	Porta scorrevole / Sliding door / Schiebescheibe / Porte coulissante / Puerta corrediza.
25	Evaporatore / Evaporator / Verdampfer / Evaporateur / Evaporador
26	Striscia LED / LED Strip / LED-Streifen / LED Strip / Franja de LED
27	Parete / Wall / Mauer / Mur / Pared
28	Collettore / Collector / Sammler / Collectionneur / Coleccionista
29	Vaschetta / Basin / Becken / Bac / Pila
30	Sgocciolatoio / Drip tank / Tropfshale / Égouttoir / Escurridor
31	Condensatore / Condenser / Kondensator / Condenseur / Condensador
32	Evaporatore / Evaporator / Verdampfer / Evaporateur / Evaporador

	SUSHI 4 GN R290	SUSHI 4 PI R290	SUSHI 6 GN R290	SUSHI 6 PI R290	SUSHI 8 GN R290	SUSHI 8 PI R290	SUSHI 10 GN R290	SUSHI 10 PI R290
	K28AXY-13CAC	K28AXY-02CPC	K29AXY-34CAC	K29AXY-02CPC	K30AXY-34CAC	K30AXY-02CPC	K31AXY-02CAC	K31AXY-02CPC
1	A0757	A0757	A0757	A0757	A0757	A0757	A0757	A0757
2	A6303	A6303	A6303	A6303	A6303	A6303	A6303	A6303
3	A6501	A6501	A6501	A6501	A6501	A6501	A6501	A6501
4	B6007	B6007	B6007	B6007	B6007	B6007	B6007	B6007
5	B8410	B8410	B8410	B8410	B8410	B8410	B8410	B8410
6	C0401	C0401	C0401	C0401	C0401	C0401	C0401	C0401
7	C5319	C5319	C5319	C5319	C5319	C5319	C5319	C5319
8	C5509	C5509	C5509	C5509	C5509	C5509	C5509	C5509
9	F0648	F0648	F0648	F0648	F0648	F0648	F0648	F0648
10	F23AR0001	F23AR0001	F23AR0002	F23AR0002	F23AR0003	F23AR0003	F23AR0004	F23AR0004
11	F24AR0001	F24AR0001	F24AR0002	F24AR0002	F24AR0003	F24AR0003	F24AR0004	F24AR0004
12	K200105	K200105	K200105	K200105	K200105	K200105	K200105	K200105
13	K200202	K200202	K200202	K200202	K200202	K200202	K200202	K200202
14	K200203	K200203	K200203	K200203	K200203	K200203	K200203	K200203
15	K200303	K200303	K200303	K200303	K200303	K200303	K200303	K200303
16	K200305	K200305	K200305	K200305	K200305	K200305	K200305	K200305
17	K201903	K201903	K201903	K201903	K201903	K201903	K201903	K201903
18	K280202	K280206	K290201	K290202	K300201	K300202	K310201	K310202
19	K200205	K200205	K210202	K210202	K220202	K220202	K230202	K230202
20	K200206	K200206	K210203	K210203	K220203	K220203	K230203	K230203
21	K200207	K200207	K210204	K210204	K220204	K220204	K230204	K230204
22	K200213	K200213	K210209	K210209	K220209	K220209	K230209	K230209
23	K200212	K200214	K210212	K210212	K220212	K220212	K230212	K230212
24	K200502	K200502	K210502	K210502	K220502	K220502	K230502	K230502
25	K201902	K201902	K211901	K211901	K221901	K221901	K231901	K231901
26	L324802	L324802	K214803	K214803	K224803	K224803	K234802	K234802
27	K280208	K280208	K280208	K280208	K280208	K280208	K280208	K280208
28	K281901	K281901	K281901	K281901	K281901	K281901	K281901	K281901
29	K281902	K281902	K281902	K281902	K281902	K281902	K281902	K281902
30	K281912	K281912	K291903	K291903	K301903	K301903	K311903	K311903
31	V411907	V411907	V411907	V411907	V411907	V411907	V411907	V411907
32	K281903	K281903	K291901	K291901	K301901	K301901	K311901	K311901