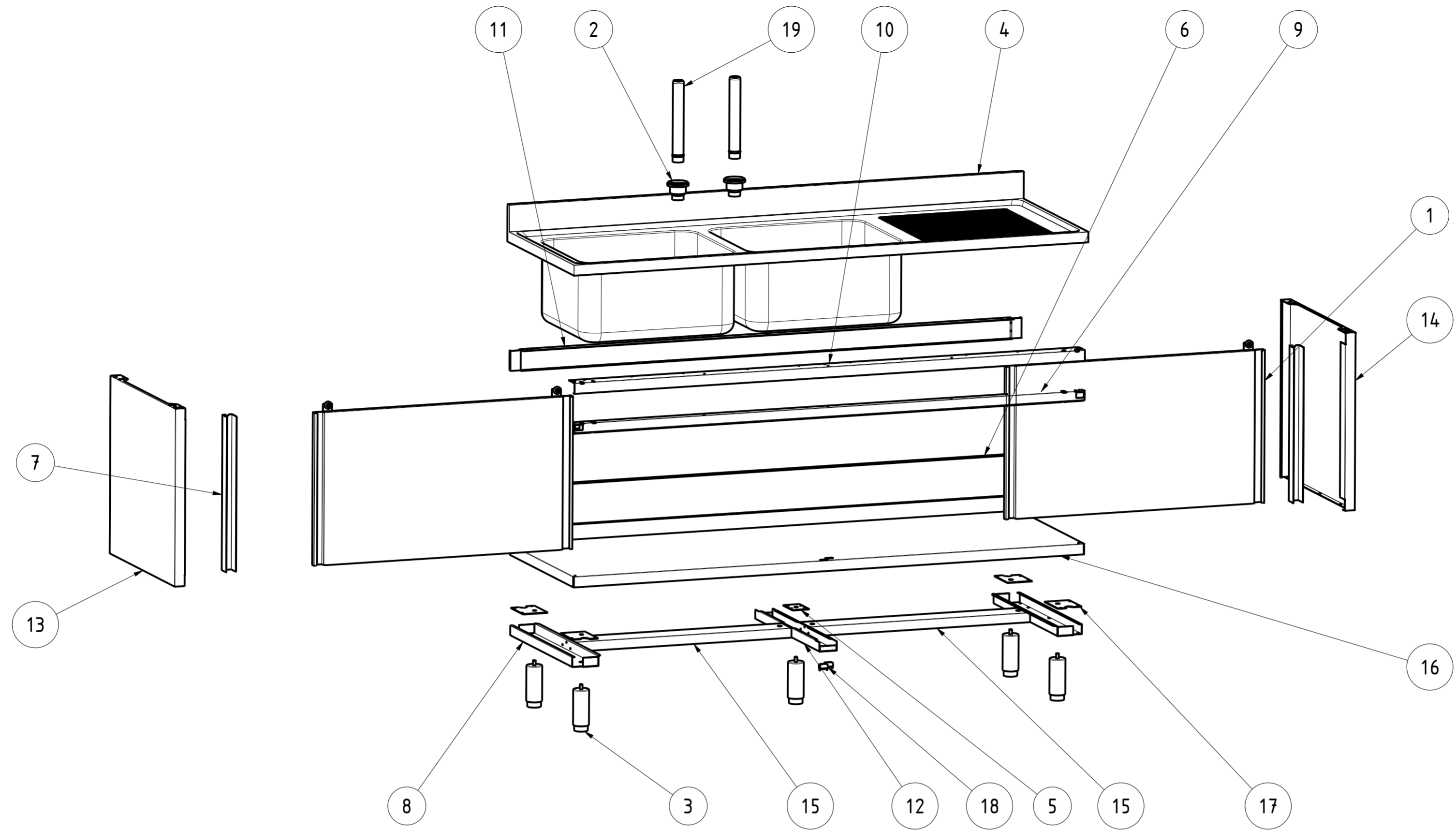


EXPLOSIONSZEICHNUNG



KBS Gastrotechnik GmbH – Schoßbergstraße 26 – 65201 Wiesbaden



19	TUBO LIVELLO_300	2	TUBO LIVELLO 300	OVERFLOW PIPE
18	TACCHDSTA	2	TACCHETTO GUIDA PORTE	SLIDING DOOR GUIDE
17	NT4144	4	PIASTRA RIV PIEDINO PORTA BATTENTE	PLATE EXTERNAL LEG HINGED DOOR
16	NT4082	1	PIANO BASE 200x70	BASE SHELF 200x70
15	NT4064	2	OMEGA LONGITUDINALE (DIV.2) L200	LONGITUDINAL OMEGA L200
14	NT4046	1	PANNELLO LATERALE DX P70 H85	RIGHT SIDE PANEL P70 H85
13	NT4044	1	PANNELLO LATERALE SX P70 H85	LEFT SIDE PANEL P70 H85
12	NT4033	1	OMEGA CENTR RIV. PIANO BASE P70	CENTRAL OMEGA BASE SHELF P70
11	NT3831	1	SCHIENALE SUPERIORE L200	UPPER BACK L200
10	NT3598	1	ANGOLARE SUPP. BINARIO L200	ANGULAR BINARY SUPPORT L200
9	NT3587	1	BINARIO TAVOLI ARMADIATI L200	BINARY L200
8	NT2450	2	OMEGA LATERALE PIANO BASE P70	LATERAL OMEGA BASE SHELF P70
7	NT502	2	MONTANTE ASOLATO PER LATERALI NEUTRO H85	NEUTRAL UPRIGHT H85
6	NT497	1	SCHIENALE INFERIORE L200	LOWER BACK L200
5	NT335	1	PIASTRA RINFORZO PER GAMBA CENTRALE	PLATE CENTRAL LEG
4	LAV_207_2_65_DX	1	LAVATOIO 200x70 2 VASCHE 60x50H30 GOCC. DX	SINK 200x70 2 BASIN 60x50H30 RIGHT DRAINER
3	DSPIEDTA	5	PIEDINO PER TAVOLI ARMADIATI	FOOT FOR CABINET TABLES
2	ASS_PILETTA	2	PILETTA DI SCARICO 1" 1/2	WASTE DISCHARGE 1" 1/2
1	APS_L200_H85	2	ASSIEME PORTE SCORREVOLI L200 H85	SLIDING DOORS ASSEMBLY L200 H85
ITEM NO	PART NUMBER	QTY	DESCRIPTION	

DATA DATE	MODIF. N. MODIF. NO.	DESCRIZIONE MODIFICHE MODIFICATION DESCRIPTION	DISegnATO DRAWN BY	APPROVATO APPROVED
MODELLO MODEL	LAV ARM 2 VAS 60x50x25 GOCC DX 200x70 SINK ON CABINET 2 BAS 60x50x25 RIGHT DRAINER 200x70		DISEGNO N. DRAWING NO.	DSLA2VGD207
PARTICOLARE DETAIL	ESPLOSO EXPLODED VIEW		DISEGNATO DRAWN BY	M.PAPI
MATERIALE MATERIAL	SPES. THICK.		APPROVATO APPROVED	SHEET 4 OF 4
FINITURA FINISH	PEZZI N. PIECES NO.		SOSTITUISCE IL DIS. N. IT REPLACES DRAWING NO.	ULTIMA EMISS. LAST EDITION
TRATTAMENTO TREATMENT	COLORE COLOUR		SOSTITUITO DAL DIS. N. REPLACED BY DRAWING NO.	
		RISTOPRO SRL FRAZ. BORGO TUFICO, 47 FABRIANO (AN) ITALY +39.732.043494 WWW.RISTOPRO.COM		 mm

ELABORATO CON SISTEMA CAD
 DESIGNED BY CAD/STEM
 QUOTA PRIMARIA
 PRIMARY DIMENSION
 XX
 ANGOLI
 Angles
 >500
 ±0.75
 400-500
 ±0.65
 315-400
 ±0.60
 250-315
 ±0.55
 180-250
 ±0.50
 120-180
 ±0.45
 80-120
 ±0.40
 50-80
 ±0.35
 30-50
 ±0.30
 10-30
 ±0.25
 5-10
 ±0.15
 0-5
 ±0.10
 LUNGHEZZE E DIAM.
 LENGTH AND DIAM.
 TOLLERANZA UNLESS OTHERWISE STATED
 TOLERANCE
 QUOTE SENZA TOLLERANZA
 DIMENSIONS WITHOUT TOLERANCE
 FORM.A-2