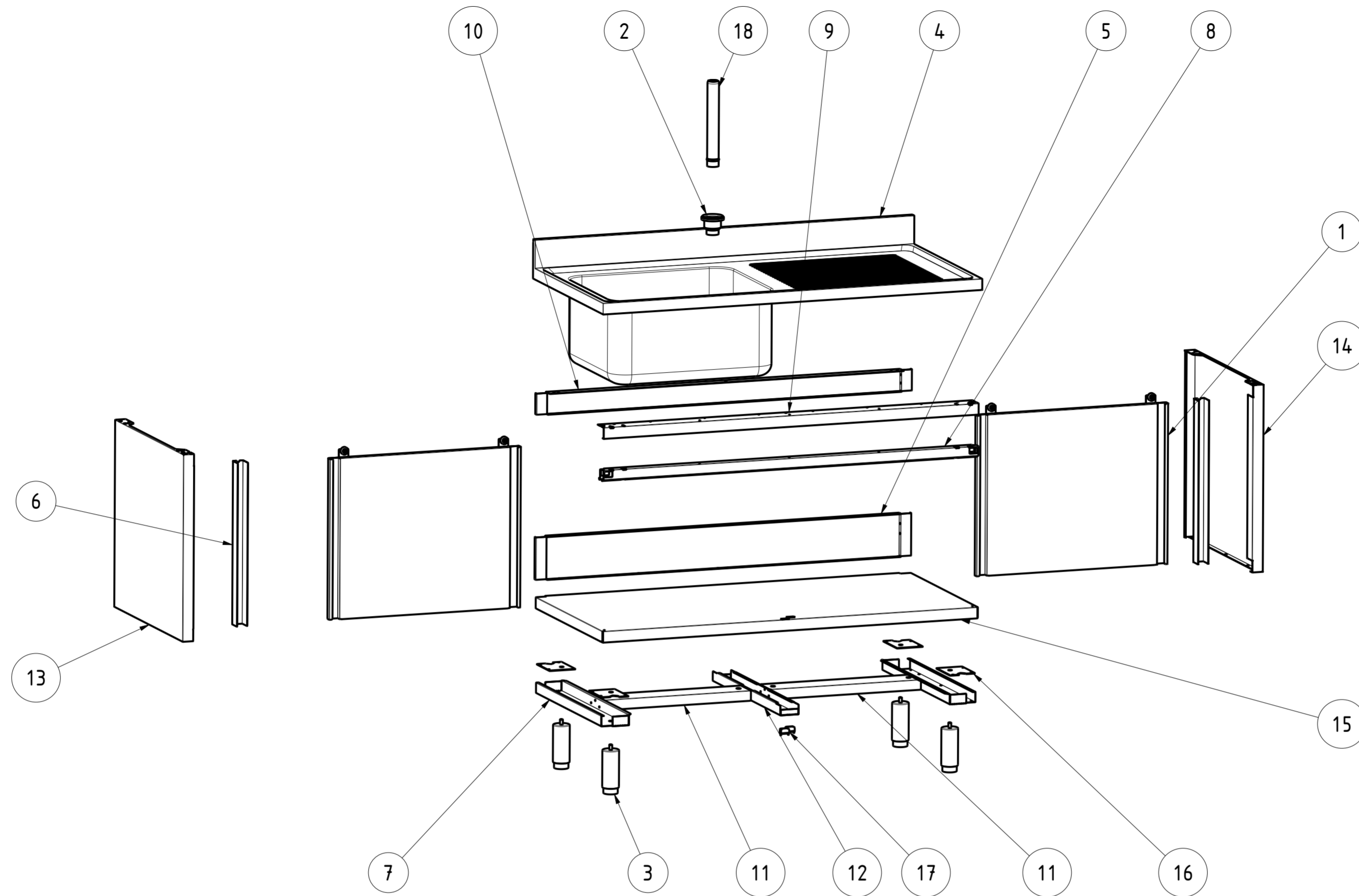


# EXPLOSIONSZEICHNUNG



KBS Gastrotechnik GmbH – Schoßbergstraße 26 – 65201 Wiesbaden



|         |                  |     |   |  |
|---------|------------------|-----|---|--|
| 18      | TUBO LIVELLO_300 | 1   | TUBO LIVELLO 300                          | OVERFLOW PIPE                              |
| 17      | TACCHDSTA        | 2   | TACCHETTO GUIDA PORTE                     | SLIDING DOOR GUIDE                         |
| 16      | NT4144           | 4   | PIASTRA RIV PIEDINO PORTA BATTENTE        | PLATE EXTERNAL LEG HINGED DOOR             |
| 15      | NT4078           | 1   | PIANO BASE 140x70                         | BASE SHELF 140x70                          |
| 14      | NT4046           | 1   | PANNELLO LATERALE DX P70 H85              | RIGHT SIDE PANEL P70 H85                   |
| 13      | NT4044           | 1   | PANNELLO LATERALE SX P70 H85              | LEFT SIDE PANEL P70 H85                    |
| 12      | NT4033           | 1   | OMEGA CENTR RIV. PIANO BASE P70           | CENTRAL OMEGA BASE SHELF P70               |
| 11      | NT4030           | 2   | OMEGA LONGITUDINALE (DIV.2) L140          | LONGITUDINAL OMEGA L140                    |
| 10      | NT3827           | 1   | SCHIENALE SUPERIORE L140                  | UPPER BACK L140                            |
| 9       | NT3592           | 1   | ANGOLARE SUPP. BINARIO L140               | ANGULAR BINARY SUPPORT L140                |
| 8       | NT3581           | 1   | BINARIO TAVOLI ARMADIATI L140             | BINARY L140                                |
| 7       | NT2450           | 2   | OMEGA LATERALE PIANO BASE P70             | LATERAL OMEGA BASE SHELF P70               |
| 6       | NT502            | 2   | MONTANTE ASOLATO PER LATERALI NEUTRO H85  | NEUTRAL UPRIGHT H85                        |
| 5       | NT493            | 1   | SCHIENALE INFERIORE L140                  | LOWER BACK L140                            |
| 4       | LAV_147_1_65_DX  | 1   | LAVATOIO 140x70 1 VASCA 60x50H30 GOCC. DX | SINK 140x70 1 BASIN 60x50H30 RIGHT DRAINER |
| 3       | DSPIEDTA         | 4   | PIEDINO PER TAVOLI ARMADIATI              | FOOT FOR CABINET TABLES                    |
| 2       | ASS_PILETTA      | 1   | PILETTA DI SCARICO 1" 1/2                 | WASTE DISCHARGE 1" 1/2                     |
| 1       | APS_L140_H85     | 2   | ASSIEME PORTE SCORREVOLI L140 H85         | SLIDING DOORS ASSEMBLY L140 H85            |
| ITEM NO | PART NUMBER      | QTY | DESCRIPTION                               |  |

| DATA DATE             | MODIF. N. MODIF. NO.  | DESCRIZIONE MODIFICHE MODIFICATION DESCRIPTION   | DISegnATO DRAWN BY                             | APPROVATO APPROVED         |
|-----------------------|---|--|--|----------------------------|
|                       |   |  |  |                            |
| MODELLO MODEL         | LAV ARM 1 VAS 60x50x30 GOCC DX 140x70 SINK ON CABINET 1 BAS 60x50x30 RIGHT DRAINER 140x70 |  | DISegno N. DRAWING NO.                         | SCALA SCALE                |
| PARTICOLARE DETAIL    | ESPLOSO EXPLODED VIEW   |  | DISegnATO DRAWN BY                             | DATA DATE                  |
| MATERIALE MATERIAL    | SPESS. THICK.   |  | APPROVATO APPROVED                             | SHEET 4 OF 4               |
| FINITURA FINISH       | PEZZI N. PIECES NO.   |  | SOSTITUISCE IL DIS. N. IT REPLACES DRAWING NO. | ULTIMA EMISS. LAST EDITION |
| TRATTAMENTO TREATMENT | COLORE COLOUR   |  | SOSTITUITO DAL DIS. N. REPLACED BY DRAWING NO. |                            |
|                       |   | RISTOPRO SRL<br>FRAZ. BORGO TUFICO, 47 FABRIANO (AN)<br>ITALY +39.732.043494<br>WWW.RISTOPRO.COM |  | <br>mm                     |

ELABORATO CON SISTEMA CAD  
DESIGNED BY CAD/STEM

QUOTA PRIMARIA  
PRIMARY DIMENSION  
XX

ANGOLI  
Angles  
30°

| TOLLERANZA UNLESS OTHERWISE STATED | >500  | 400-500 | 315-400 | 250-315 | 180-250 | 120-180 | 80-120 | 50-80 | 30-50 | 10-30 | 5-10  | 0-5   |
|------------------------------------|-------|---------|---------|---------|---------|---------|--------|-------|-------|-------|-------|-------|
| ±0.75                              | ±0.65 | ±0.55   | ±0.50   | ±0.45   | ±0.40   | ±0.35   | ±0.30  | ±0.25 | ±0.20 | ±0.15 | ±0.10 | ±0.05 |

QUOTE SENZA TOLLERANZA

LUNGH. E DIAM.  
LENGTH AND DIAM.  
FORM.A-2