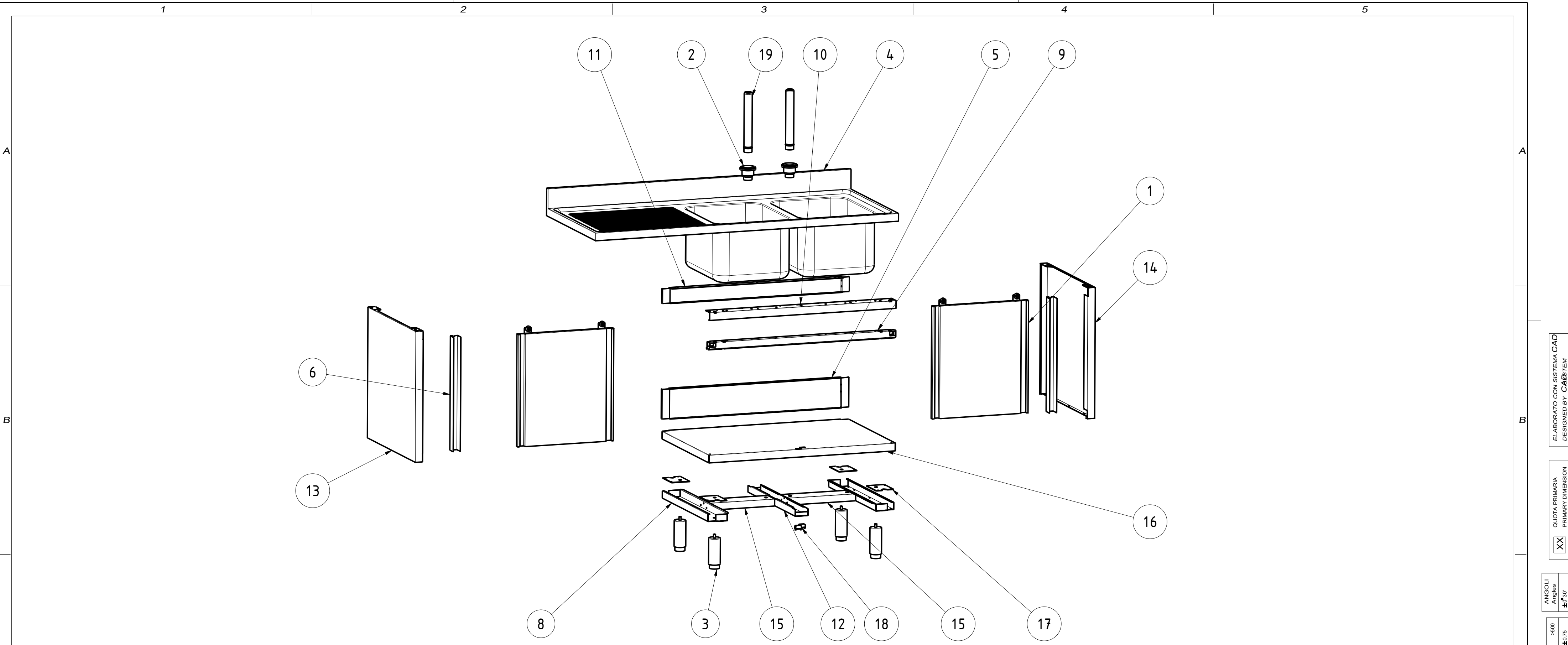


EXPLOSIONSZEICHNUNG



KBS Gastrotechnik GmbH – Schoßbergstraße 26 – 65201 Wiesbaden



| | | | | |
|---------|------------------|-----|--|--|
| 19 | TUBO LIVELLO_300 | 2 | TUBO LIVELLO 300 | OVERFLOW PIPE |
| 18 | TACCHDSTA | 2 | TACCHETTO GUIDA PORTE | SLIDING DOOR GUIDE |
| 17 | NT4144 | 4 | PIASTRA RIV PIEDINO PORTA BATTENTE | PLATE EXTERNAL LEG HINGED DOOR |
| 16 | NT4076 | 1 | PIANO BASE 100x70 | BASE SHELF 100x70 |
| 15 | NT4056 | 2 | OMEGA LONGITUDINALE (DIV.2) L100 | LONGITUDINAL OMEGA L100 |
| 14 | NT4046 | 1 | PANNELLO LATERALE DX P70 H85 | RIGHT SIDE PANEL P70 H85 |
| 13 | NT4044 | 1 | PANNELLO LATERALE SX P70 H85 | LEFT SIDE PANEL P70 H85 |
| 12 | NT4033 | 1 | OMEGA CENTR RIV. PIANO BASE P70 | CENTRAL OMEGA BASE SHELF P70 |
| 11 | NT3825 | 1 | SCHIENALE SUPERIORE L100 | UPPER BACK L100 |
| 10 | NT3588 | 1 | ANGOLARE SUPP. BINARIO L100 | ANGULAR BINARY SUPPORT L100 |
| 9 | NT3577 | 1 | BINARIO TAVOLI ARMADIATI L100 | BINARY L100 |
| 8 | NT2450 | 2 | OMEGA LATERALE PIANO BASE P70 | LATERAL OMEGA BASE SHELF P70 |
| 7 | NT513 | 1 | TRAVERSA COLL. LAVELLI GAMBE P70 RIVETTATA VASCA | SINK CONNECTION CROSSBAR P70 (RIGHT BASIN) |
| 6 | NT502 | 2 | MONTANTE ASOLATO PER LATERALI NEUTRO H85 | NEUTRAL UPRIGHT H85 |
| 5 | NT491 | 1 | SCHIENALE INFERIORE L100 | LOWER BACK L100 |
| 4 | LAV_167_2_45_SX | 1 | LAVATOIO 160x70 2 VASCHE 40x50H30 GOCC. SX | SINK 160x70 2 BASIN 40x50H30 LEFT DRAINER |
| 3 | DSPIEDTA | 4 | PIEDINO PER TAVOLI ARMADIATI | FOOT FOR CABINET TABLES |
| 2 | ASS_PILETTA | 2 | PILETTA DI SCARICO 1" 1/2 | WASTE DISCHARGE 1" 1/2 |
| 1 | APS_L100_H85 | 2 | ASSIEME PORTE SCORREVOLI L100 H85 | SLIDING DOORS ASSEMBLY L100 H85 |
| ITEM NO | PART NUMBER | QTY | DESCRIPTION | |

| DATA DATE | MODIF. N. MODIF. NO. | DESCRIZIONE MODIFICHE MODIFICATION DESCRIPTION | DISegnATO DRAWN BY | APPROVATO APPROVED |
|-----------------------|--|--|------------------------------------|--------------------|
| | | | | |
| MODELLO MODEL | LAV ARM 2 VAS 40x50x30 LAVAS SX 160x70 SINK ON CABINET 2 BAS 40x50x30 LEFT DISHWASHER 160x70 | | DISEGNO N. DRAWING NO. DSLA2VLS167 | SCALA SCALE - |
| PARTICOLARE DETAIL | ESPLOSO EXPLODED VIEW | | DISEGNATO DRAWN BY M.PAPI | DATA DATE - |
| MATERIALE MATERIAL | SPESS. THICK. - | APPROVATO APPROVED | SHEET 4 OF 4 | |
| FINITURA FINISH | PEZZI N. PIECES NO. | SOSTITUISCE IL DIS. N. IT REPLACES DRAWING NO. | ULTIMA EMISS. LAST EDITION | |
| TRATTAMENTO TREATMENT | COLORE COLOUR | SOSTITUITO DAL DIS. N. REPLACED BY DRAWING NO. | | |
| | | RISTOPRO SRL FRAZ. BORGO TUFICO, 47 FABRIANO (AN) ITALY +39.732.043494 WWW.RISTOPRO.COM | | mm |

ELABORATO CON SISTEMA CAD
 DESIGNED BY CADSTEM
 QUOTA PRIMARIA
 PRIMARY DIMENSION
 XX
 ANGOLI
 Angles
 >500
 >±0.75
 400-500
 >±0.65
 315-400
 >±0.60
 250-315
 >±0.55
 180-250
 >±0.50
 120-180
 >±0.45
 80-120
 >±0.40
 30-80
 >±0.35
 10-30
 >±0.25
 5-10
 >±0.15
 0-5
 >±0.10
 LUNGHEZZE E DIAM.
 LENGTH AND DIAM.
 TOLLERANZA UNLESS OTHERWISE STATED
 TOLERANCE UNLESS OTHERWISE STATED
 QUOTE SENZA TOLLERANZA
 DIMENSIONS WITHOUT TOLERANCE
 FORM.A-2