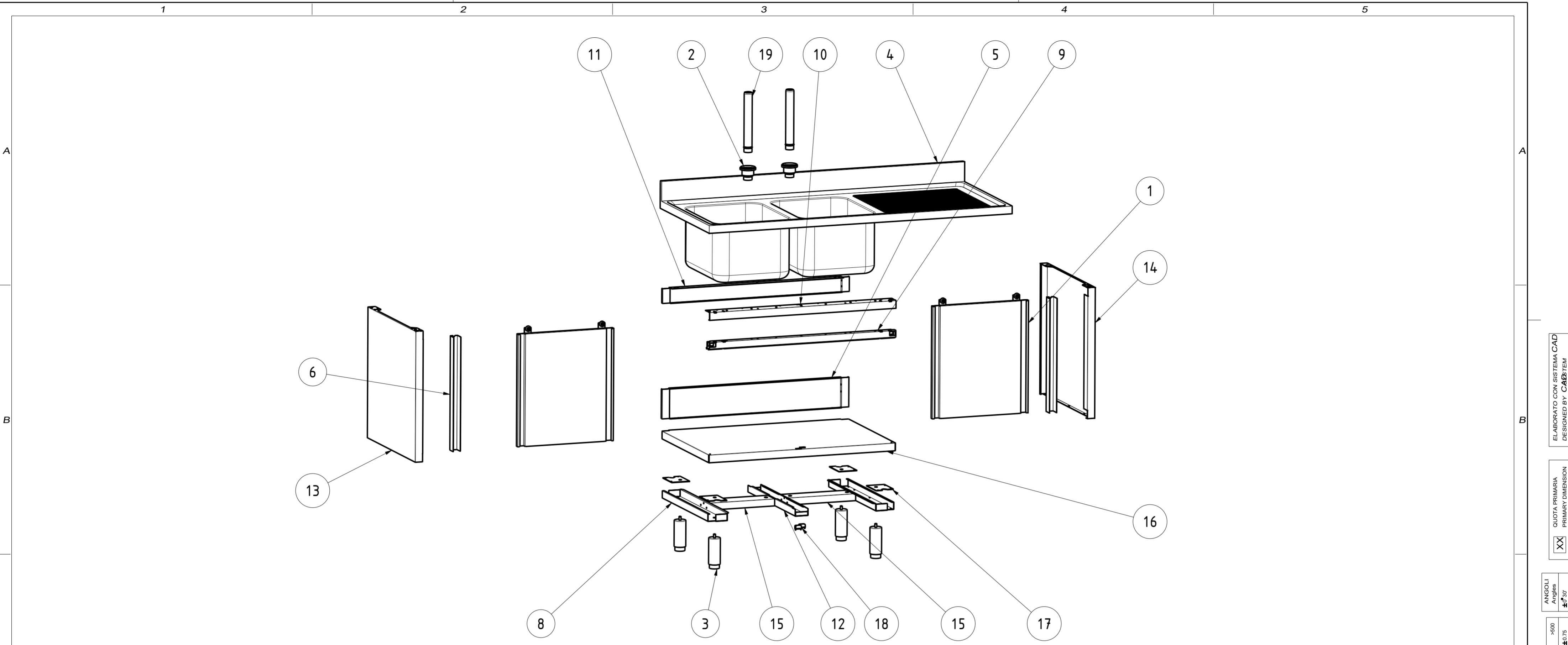


EXPLOSIONSZEICHNUNG



KBS Gastrotechnik GmbH – Schoßbergstraße 26 – 65201 Wiesbaden



19	TUBO LIVELLO_300	2	TUBO LIVELLO 300	OVERFLOW PIPE
18	TACCHDSTA	2	TACCHETTO GUIDA PORTE	SLIDING DOOR GUIDE
17	NT4144	4	PIASTRA RIV PIEDINO PORTA BATTENTE	PLATE EXTERNAL LEG HINGED DOOR
16	NT4076	1	PIANO BASE 100x70	BASE SHELF 100x70
15	NT4056	2	OMEGA LONGITUDINALE (DIV.2) L100	LONGITUDINAL OMEGA L100
14	NT4046	1	PANNELLO LATERALE DX P70 H85	RIGHT SIDE PANEL P70 H85
13	NT4044	1	PANNELLO LATERALE SX P70 H85	LEFT SIDE PANEL P70 H85
12	NT4033	1	OMEGA CENTR RIV. PIANO BASE P70	CENTRAL OMEGA BASE SHELF P70
11	NT3825	1	SCHIENALE SUPERIORE L100	UPPER BACK L100
10	NT3588	1	ANGOLARE SUPP. BINARIO L100	ANGULAR BINARY SUPPORT L100
9	NT3577	1	BINARIO TAVOLI ARMADIATI L100	BINARY L100
8	NT2450	2	OMEGA LATERALE PIANO BASE P70	LATERAL OMEGA BASE SHELF P70
7	NT511	1	TRAVERSA COLL. LAVELLI GAMBE P70 RIVETTATA VASCA	SMIK CONNECTION CROSSBAR P70 (LEFT BASIN)
6	NT502	2	MONTANTE ASOLATO PER LATERALI NEUTRO H85	NEUTRAL UPRIGHT H85
5	NT491	1	SCHIENALE INFERIORE L100	LOWER BACK L100
4	LAV_167_2_45_DX	1	LAVATOIO 160x70 2 VASCHE 40x50H30 GOCC. DX	SINK 160x70 2 BASIN 40x50H30 RIGHT DRAINER
3	DSPIEDTA	4	PIEDINO PER TAVOLI ARMADIATI	FOOT FOR CABINET TABLES
2	ASS_PILETTA	2	PILETTA DI SCARICO 1" 1/2	WASTE DISCHARGE 1" 1/2
1	APS_L100_H85	2	ASSIEME PORTE SCORREVOLI L100 H85	SLIDING DOORS ASSEMBLY L100 H85
ITEM NO	PART NUMBER	QTY	DESCRIPTION	

DATA DATE	MODIF. N. MODIF. NO.	DESCRIZIONE MODIFICHE MODIFICATION DESCRIPTION	DISegnATO DRAWN BY	APPROVATO APPROVED
MODELLO MODEL	LAV ARM 2 VAS 40x50x30 LAVAS DX 160x70 SINK ON CABINET 2 BAS 40x50x30 RIGHT DISHWASHER 160x70		DISegno N. DRAWING NO.	DSLA2VLD167
PARTICOLARE DETAIL	ESPLOSO EXPLODED VIEW		DISegnATO DRAWN BY	M.PAPI
MATERIALE MATERIAL	SPESS. THICK.		APPROVATO APPROVED	SHEET 4 OF 4
FINITURA FINISH	PEZZI N. PIECES NO.		SOSTITUISCE IL DIS. N. IT REPLACES DRAWING NO.	ULTIMA EMISS. LAST EDITION
TRATTAMENTO TREATMENT	COLORE COLOUR		SOSTITUITO DAL DIS. N. REPLACED BY DRAWING NO.	

RISTOPRO
 PROFESSIONAL CATERING EQUIPMENT

RISTOPRO SRL
 FRAZ. BORGO TUFICO, 47 FABRIANO (AN)
 ITALY +39.732.043494
 WWW.RISTOPRO.COM

mm

FORM.A-2

ELABORATO CON SISTEMA CAD
 DESIGNED BY CADSTEM
 QUOTA PRIMARIA
 PRIMARY DIMENSION
 XX
 ANGOLI
 Angles
 >500
 >±0.75
 400-500
 >±0.65
 315-400
 >±0.60
 250-315
 >±0.55
 180-250
 >±0.50
 120-180
 >±0.45
 80-120
 >±0.40
 30-80
 >±0.35
 10-30
 >±0.25
 5-10
 >±0.15
 0-5
 >±0.10
 LUNGHEZZE E DIAM.
 LENGTH AND DIAM.
 TOLLERANZA UNLESS OTHERWISE STATED
 TOLERANCE UNLESS OTHERWISE STATED