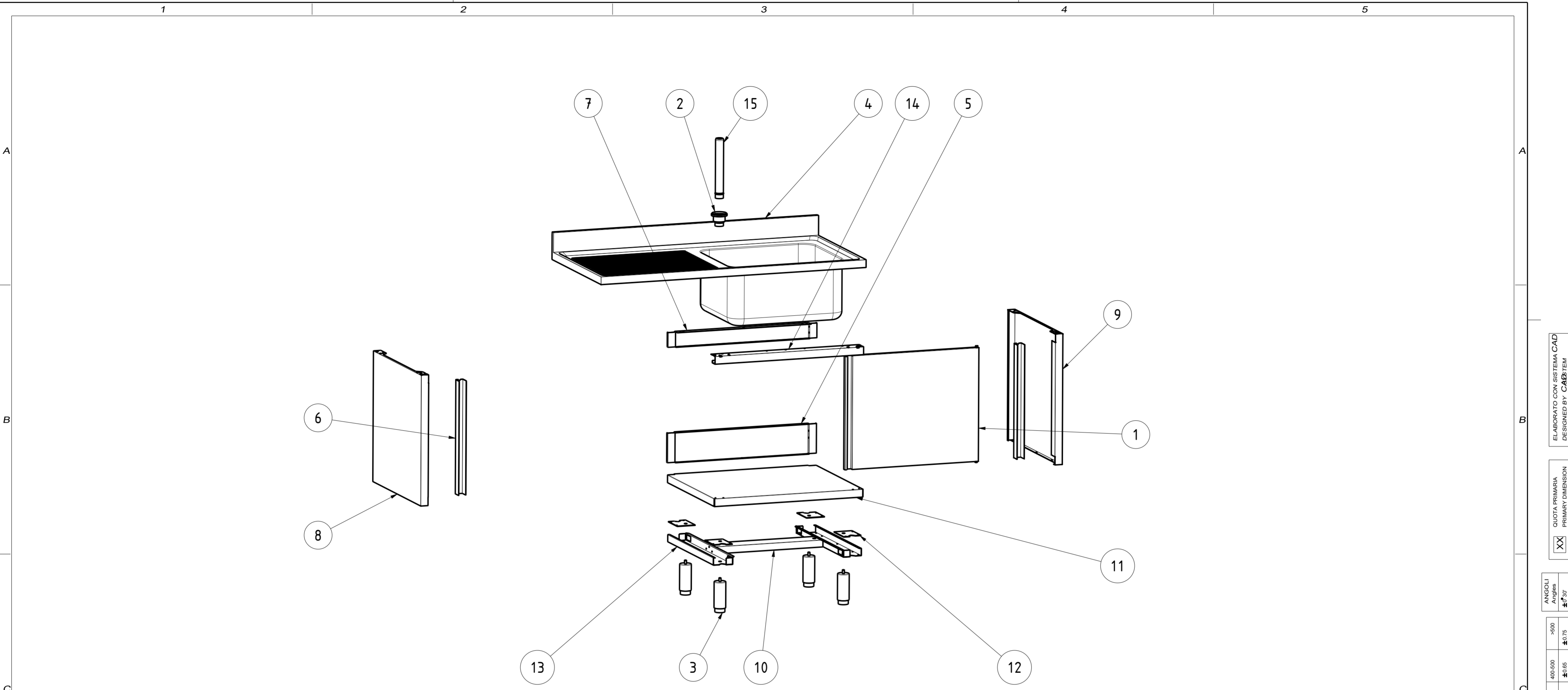


EXPLOSIONSZEICHNUNG



KBS Gastrotechnik GmbH – Schoßbergstraße 26 – 65201 Wiesbaden



15	TUBO LIVELLO_300	1	TUBO LIVELLO 300	OVERFLOW PIPE
14	NT6762	1	ANGOLARE SUPP. 2PB L80	HIGHER ANGULAR L80
13	NT4146	2	OMEGA LATERALE PIANO BASE PORTA BATTENTE P70	LATERAL OMEGA BASE SHELF HINGED DOOR P70
12	NT4144	4	PIASTRA RIV PIEDINO PORTA BATTENTE	PLATE EXTERNAL LEG HINGED DOOR
11	NT4075	1	PIANO BASE 1/2PB 80x70	BASE SHELF 80x70
10	NT4054	1	OMEGA LONGITUDINALE L80	LONGITUDINAL OMEGA L80
9	NT4046	1	PANNELLO LATERALE DX P70 H85	RIGHT SIDE PANEL P70 H85
8	NT4044	1	PANNELLO LATERALE SX P70 H85	LEFT SIDE PANEL P70 H85
7	NT3823	1	SCHIENALE SUPERIORE L80	UPPER BACK L80
6	NT502	2	MONTANTE ASOLATO PER LATERALI NEUTRO H85	NEUTRAL UPRIGHT H85
5	NT490	1	SCHIENALE INFERIORE L80	LOWER BACK L80
4	LAV_147_1_65_SX	1	LAVATOIO 140x70 1 VASCA 60x50H30 GOCC. SX	SINK 140x70 1 BASIN 60x50H30 LEFT DRAINER
3	DSPIEDTA	4	PIEDINO PER TAVOLI ARMADIATI	FOOT FOR CABINET TABLES
2	ASS_PILETTA	1	PILETTA DI SCARICO 1" 1/2	WASTE DISCHARGE 1" 1/2
1	ASS_1PB_L80_H85	1	ASS 1 PORTA BATTENTE L80 H85	ASS 1 HINGED DOOR L80 H85
ITEM NO	PART NUMBER	QTY	DESCRIPTION	

DATA DATE	MODIF. N. MODIF. NO.	DESCRIZIONE MODIFICHE MODIFICATION DESCRIPTION	DISegnATO DRAWN BY	APPROVATO APPROVED
MODELLO MODEL	LAV ARM 1 VAS 60x50x30 LAV SX 140x70 SINK ON CABINET 1 BAS 60x50x30 LEFT DISHWASHER 140x70		DISegno N. DRAWING NO. DSLALS147	SCALA SCALE -
PARTICOLARE DETAIL	ESPLOSO EXPLODED VIEW		DISegnATO DRAWN BY M.PAPI	DATA DATE -
MATERIALE MATERIAL	SPESS. THICK. -	APPROVATO APPROVED	SHEET 4 OF 4	
FINITURA FINISH	PEZZI N. PIECES NO.	SOSTITUISCE IL DIS. N. IT REPLACES DRAWING NO.	ULTIMA EMISS. LAST EDITION	
TRATTAMENTO TREATMENT	COLORE COLOUR	SOSTITUITO DAL DIS. N. REPLACED BY DRAWING NO.		
		RISTOPRO SRL FRAZ. BORGO TUFICO, 47 FABRIANO (AN) ITALY +39.732.043494 WWW.RISTOPRO.COM		

ELABORATO CON SISTEMA CAD
 DESIGNED BY CAD/STEM
 QUOTA PRIMARIA
 PRIMARY DIMENSION
 XX
 ANGOLI
 Angles
 >500 ±0,75
 400-500 ±0,65
 315-400 ±0,60
 250-315 ±0,55
 120-180 ±0,45
 80-120 ±0,40
 30-50 ±0,35
 10-18 ±0,25
 5-10 ±0,15
 0-5 ±0,10
 TOLLERANZA UNLESS OTHERWISE STATED
 QUOTE SENZA TOLLERANZA
 DIMENSIONS WITHOUT TOLERANCES
 LUNGHEZZE E DIAMETRI
 LENGTH AND DIAMETERS
 FORM.A-2