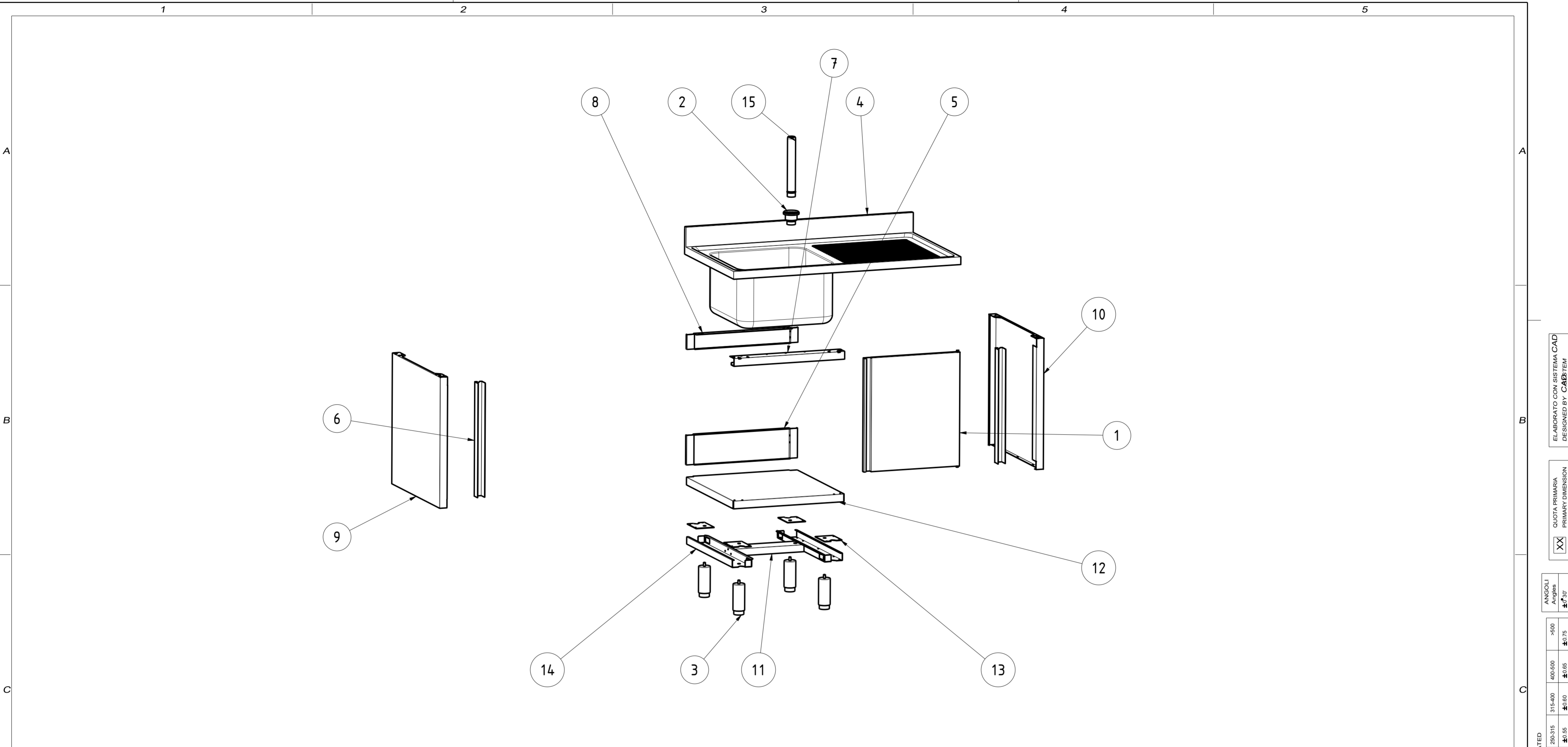


# EXPLOSIONSZEICHNUNG



KBS Gastrotechnik GmbH – Schoßbergstraße 26 – 65201 Wiesbaden



15	TUBO LIVELLO_300	1	TUBO LIVELLO 300	OVERFLOW PIPE
14	NT4146	2	OMEGA LATERALE PIANO BASE PORTA BATTENTE P70	LATERAL OMEGA BASE SHELF HINGED DOOR P70
13	NT4144	4	PIASTRA RIV PIEDINO PORTA BATTENTE	PLATE EXTERNAL LEG HINGED DOOR
12	NT4074	1	PIANO BASE 1/2PB 60x70	BASE SHELF 60x70
11	NT4052	1	OMEGA LONGITUDINALE L60	LONGITUDINAL OMEGA L60
10	NT4046	1	PANNELLO LATERALE DX P70 H85	RIGHT SIDE PANEL P70 H85
9	NT4044	1	PANNELLO LATERALE SX P70 H85	LEFT SIDE PANEL P70 H85
8	NT3821	1	SCHIENALE SUPERIORE L60	UPPER BACK L60
7	NT3740	1	ANGOLARE SUPP. 1PB L60	HIGHER ANGULAR L60
6	NT502	2	MONTANTE ASOLATO PER LATERALI NEUTRO H85	NEUTRAL UPRIGHT H85
5	NT489	1	SCHIENALE INFERIORE L60	LOWER BACK L60
4	LAV_127_1_55_DX	1	LAVATOIO 120x70 1 VASCA 50x50H30 GOCC. DX	SINK 120x70 1 BASIN 50x50H30 RIGHT DRAINER
3	DSPIEDTA	4	PIEDINO PER TAVOLI ARMADIATI	FOOT FOR CABINET TABLES
2	ASS_PILETTA	1	PILETTA DI SCARICO 1" 1/2	WASTE DISCHARGE 1" 1/2
1	ASS_1PB_L60_H85	1	ASS 1 PORTA BATTENTE L60 H85	ASS 1 HINGED DOOR L60 H85
ITEM NO	PART NUMBER	QTY	DESCRIPTION	

DATA DATE	MODIF. N. MODIF. NO.	DESCRIZIONE MODIFICHE MODIFICATION DESCRIPTION	DISegnATO DRAWN BY	APPROVATO APPROVED
MODELLO MODEL	LAV ARM 1 VAS 50x50x30 LAV DX 120x70 SINK ON CABINET 1 BAS 50x50x30 RIGHT DISHWASHER 120x70		DISegno N. DRAWING NO.	DSLALD127
PARTICOLARE DETAIL	ESPLOSO EXPLODED VIEW		DISegnATO DRAWN BY	M.PAPI
MATERIALE MATERIAL	SPESS. THICK.		APPROVATO APPROVED	SHEET 4 OF 4
FINITURA FINISH	PEZZI N. PIECES NO.		SOSTITUISCE IL DIS. N. IT REPLACES DRAWING NO.	ULTIMA EMISS. LAST EDITION
TRATTAMENTO TREATMENT	COLORE COLOUR		SOSTITUITO DAL DIS. N. REPLACED BY DRAWING NO.	
		RISTOPRO SRL FRAZ. BORGO TUFICO, 47 FABRIANO (AN) ITALY +39.732.043494 WWW.RISTOPRO.COM		 mm

ELABORATO CON SISTEMA CAD  
 DESIGNED BY CAD/STEM  
 QUOTA PRIMARIA  
 PRIMARY DIMENSION  
 XX  
 ANGOLI  
 Angles  
 >500 ±0.75  
 400-500 ±0.65  
 315-400 ±0.60  
 250-315 ±0.55  
 180-250 ±0.50  
 120-180 ±0.45  
 80-120 ±0.40  
 50-80 ±0.35  
 30-50 ±0.30  
 10-30 ±0.25  
 5-10 ±0.20  
 0-5 ±0.15  
 0-5 ±0.10  
 LUNGH. E DIAM.  
 LENGTH AND DIAM.  
 TOLLERANZA UNLESS OTHERWISE STATED  
 QUOTE SENZA TOLLERANZA  
 DIMENSIONS WITHOUT TOLERANCES  
 FORM.A-2