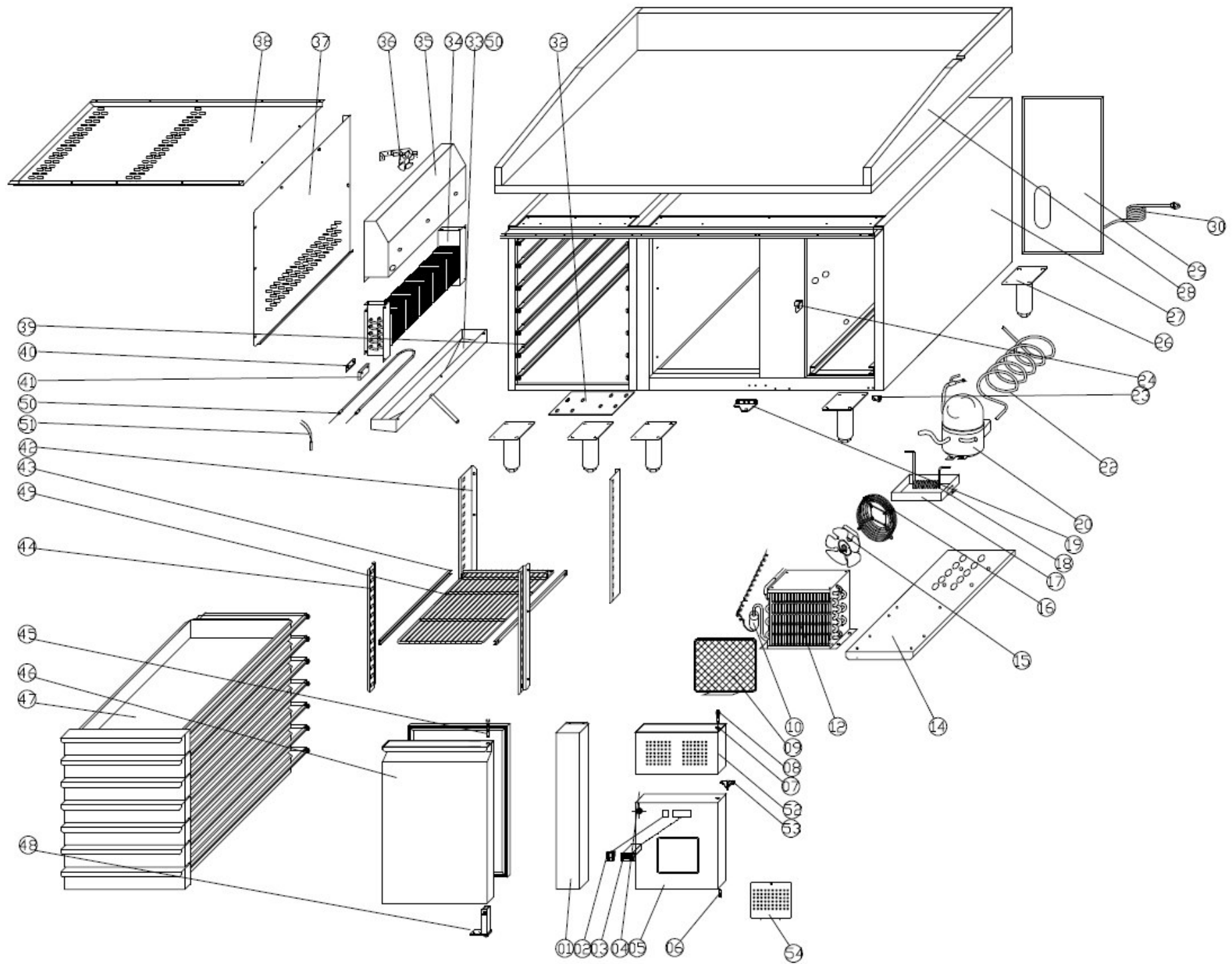


Explosionszeichnung

Kühltisch
Pizza 1610



KBS Gastrotechnik GmbH - Johannes-Kepler-Str. 14 - 55129 Mainz



SPARE PARTS LIST OF

NO.	CODE	NAME	MODEL	QUY.
1	GN2100TN.01	FIXED FRONT PANEL		1PC
2	S900.01	MAIN SWITCH	DRH-2415-3	
3	GN650BT.16C	THERMOSTAT	XR60C	1PC
4	GN2100TN.86	LOCK		2PCS
5	GN2100TN.02L15	FRONT PANEL		1PC
6	GN2100TN.03	HINGE AXIS	Φ7	1PC
7	GN2100TN.07	BUSHING		3PCS
8	GN2100TN.06	UP NUT	Φ7×25/M8	2SETS
9	U-GN2100TN.03N	FILTER		1PC
10	S900.44	FILTER DRIER	20g	1PC
12	GN2100TN.08	CONDENSER		1PC
14	GN2100TN.09	UNIT BOARD		1PC
15	GN650TN.34	CODENSER FAN	CA01-01/Φ200	1PC
16	GN650TN.46	BASKETC GUARD GRILLS		1PC
17	GN2100TN.10	WATER BOX		1PC
18	GN2100TN.11	EVAPORATE PIPE	Φ6	1PC
19	GN2100TN.12	DOOR HINGE RIGHT		1PC
20	G-S903.01	COMPRESSOR	HPKD190A	1PC
22	G-GN2100TN.13	SUCTION PIPE	Φ8	1PC
23	GN2100TN.14	FRONT PANEL HINGE		1PC
24	GN2100TN.15	LOCK HOOK		1 PCS
26	GN650TN.07	FEET	H=150	8PCS
27	PA1610TN.01	BODY		1PC
28	PZ1610TN.01	TOP		1PC
29	GN2100TN.18	UNIT ROOM COVER		1PC
30	S900.47	PLUG		1PC
32	PZ2610TN.2	CONNECTION BOARD		2PCS
33	GN2100TN.20	EVAPORATOR WATER PAN		1PC
34	GN2100TN.21	EVAPORATOR		1PC
35	G-GN2100TN.22	FAN SUPPORT	风机板	1PC
36	G-GN2100TN.11	CIRCUIT FAN	循环风机	EC-2P
37	G-PA2100TN.03	EVAPORATOR COVER	风壳	1PC
38	PZ1610TN.03	AIR FLOW CONDUCT BOARD		1PC

39	PZ2610TN.3	DRAWER GUIDE		7PAIRS
40	S900.31	SENSOR FIXED CLIP		1PC
41	GN650TN.17	PROBE PADDING		1PC
42	PA2100TN.5	BACK SUPPORT		1PAIR
43	PA2100TN.6	GUIDE		1PAIR
44	PA2100TN.7	FRONT SUPPORT		1PAIR
45	PA2100TN.9	GASKET		1PC
46	PA2100TN.10A	DOOR		1PC
47	PZ2610.4	DRAWER		7PCS
48	GN650TN.14	DOOR SPRING HINGE		1PC
49	PA2100TN.11	SHELF		1PC
50	G-GN2100TN.12	DEFROST HEATING ELEMENT		1PC
51	GN2100BT.10	PROTECTOR FOR HEATING ELEMENT	10A/65°C 10A/65°C	1PC
52	GN2100TN.78	UP PANNEL		1PC
53	GN2100TN.77	MIDDLE HINGE		1PC
54	G-GN2100(L149)	AIR FLOW WINDOW		1PC