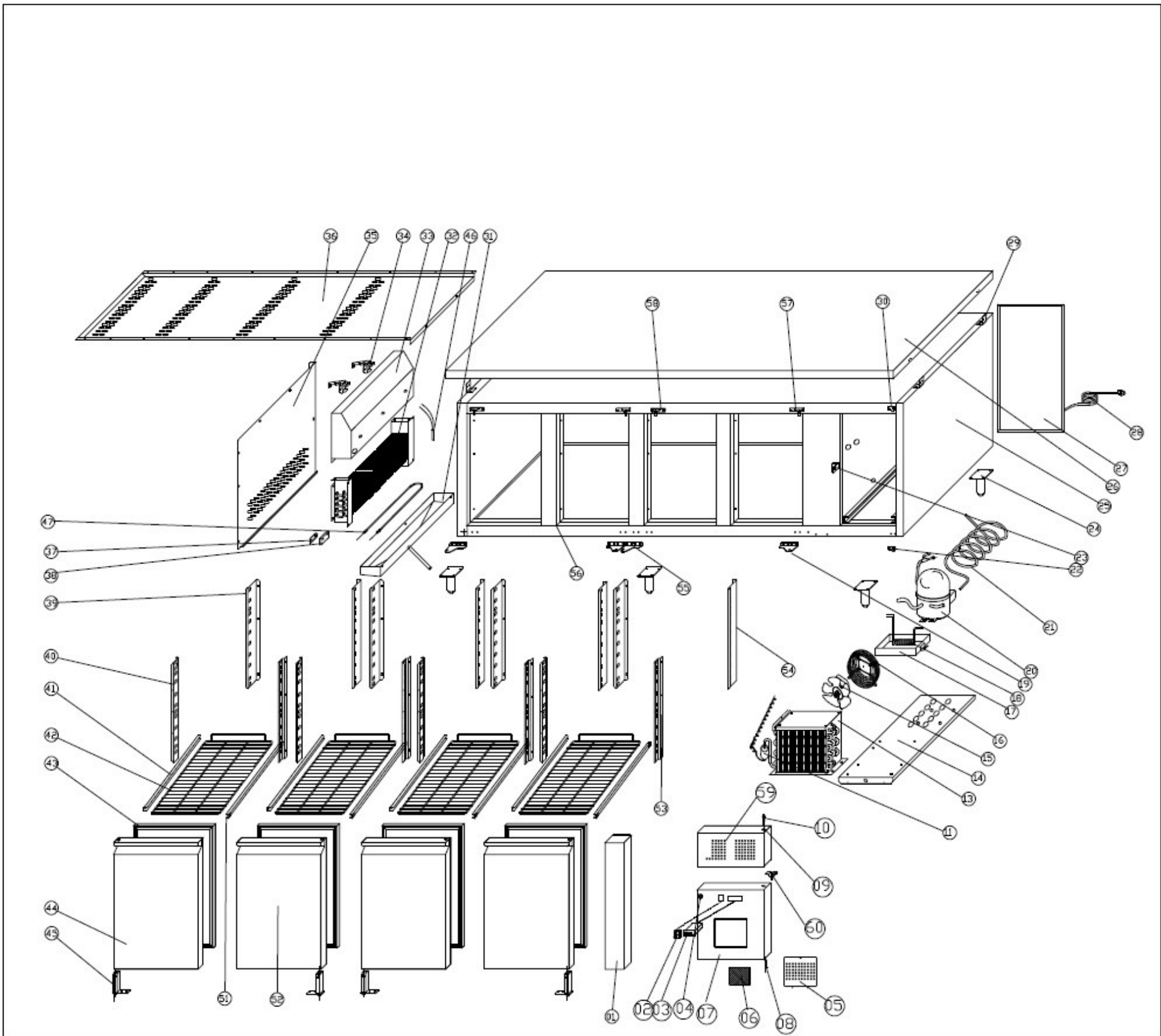


Explosionszeichnung

Edelstahl Kühlisch
KT 410



KBS Gastrotechnik GmbH - Johannes-Kepler-Str. 14 - 55129 Mainz



SPARE PARTS LIST

N0.	CODE	NAME	MODEL	QUY.	MATERIAL	REMARK	Afreight
1	GN2100TN.01	FIXED FRONT PANEL		1PC	STAINLESS		B
2	GN650BT.16C	THERMOSTAT	XR06CX	1PC			A
3	S900.01	MAIN SWITCH	DRH-2415-3	1PC			A
4	GN650TN.86	LOCK		1PC			A
5	G-GN2100(L149)	AIR FLOW WINDOW		1PC			A
6	U-GN2100TN.03N	SCREEN FILTER		1PC			A
7	GN2100TN.02L15	FRONT PANEL		1PC	STAINLESS		B
8	GN2100TN.03	HINGE AXIS	Φ7	6PCS	STAINLESS		A
9	GN2100TN.07	BUSHING	Φ7	6PCS	STAINLESS		A
10	GN2100TN.06	NUT	M5	6PCS	STAINLESS		A
11	GN70TN.23	FILTER DRIER	20g	1PC	XH-9		A
13	GN2100TN.08	CONDENSER	1/4HP	1PC			B
14	GN2100TN.09	UNIT BOARD		1PC	ZINC		C
15	S900.37	CODENSER FAN	BD01-0152/Φ200	1PC			B
16	U-GN2100.35	BASKET GUARD GRILLS		1PC	COATED STEEL		A
17	GN2100TN.10	WATER BOX		1PC	PLASTIC		A
18	GN2100TN.11	EVAPORATE PIPE	GN31 (HT01#)	1PC	COPPER		B
19	GN2100TN.12R	DOOR DOWN HINGE RIGHT		2PCS	STAINLESS	RIGHT	A
20	G-S903.01Z	COMPRESSOR	HPKD190A	1PC		ZEL	G
21	G-GN2100TN.13	SUCTION PIPE	Φ8	1PC	COPPER		B
22	GN2100TN.14D	FRONT PANEL DOWN HINGE		1PC	STAINLESS		A
23	GN2100TN.15	LOCK HOOK		1 PC	STAINLESS		A
24	GN650TN.07	FEET	H=150	6PCS			C
25	GN4100TN.1N	BODY		1PC			G
26	GN4100TN.2N	TOP		1PC			F
27	GN2100TN.18	UNIT ROOM COVER		1PC	ZINC		A
28	S900.47	PLUG		1PC			A
29	GN2100TN.68	TOP FIXED BOARD		4PCS			A
30	GN2100TN.14U	FRONT PANEL UP HINGE		1PC	STAINLESS		A
31	GN2100TN.20	EVAPORATOR WATER PAN		1PC	STAINLESS		B

32	GN2100TN.21	EVAPORATOR		1PC			C
33	GN2100BT.04	FAN SUPPORT		1PC			A
34	G-GN2100TN.11	CIRCUIT FAN	EC-2P	2PCS			B
35	GN2100TN.24	EVAPORATOR COVER		1PC	STAINLESS		A
36	GN4100TN.03	AIR FLOW CONDUCT BOARD		1PC	STAINLESS		B
37	GN650TN.12	SENSOR FIXED CLIP		1PC	STAINLESS		A
38	GN650TN.17	PROBE PADDING		1PC			A
39	GN2100TN.26L	BACK SUPPORT LEFT		4PCS	STAINLESS	LEFT	A
40	GN2100TN.30L	FRONT SUPPORT LEFT		4PCS		LEFT	A
41	GN2100TN.31L	GUIDE LEFT		4PC			A
42	GN2100TN.32	SHELF	GN1/1	4PCS			B
43	GN2100TN.33	GASKET		4PCS	PLASTIC		A
44	GN2100TN.34LN	DOOR (Door with handle)		2PCS		2LEFT	D
45	GN650TN.14	DOOR SPRING HINGE		4PCS			A
46	GN2100BT.10	PROTECTOR FOR HEATING	10A/65℃	1PC			A
47	G-GN2100TN.12	DEFROST HEATING ELEMENT		1PC			A
51	GN2100TN.31L	GUIDE RIGHT		4PC			A
52	GN2100TN.34RN	DOOR (Door with handle)		2PCS		2RIGHT	D
53	GN2100TN.30R	FRONT SUPPORT RIGHT		4PCS		RIGHT	A
54	GN2100TN.26R	BACK SUPPORT RIGHT		4PCS	STAINLESS	RIGHT	A
55	GN2100TN.12L	DOOR HINGE LEFT		2PCS	STAINLESS	LEFT	A
56	GN2100TN.87	MIDDLE BRIDGE		3PCS			C
57	GN2100TN.65R	DOOR UP HINGE RIGHT		2PCS	STAINLESS	RIGHT	A
58	GN2100TN.65L	DOOR UP HINGE LEFT		2PCS	STAINLESS	LEFT	A
59	GN2100TN.78	UP PANNEL		1PC			
60	GN2100TN.77	MIDDLE HINGE		1PC			