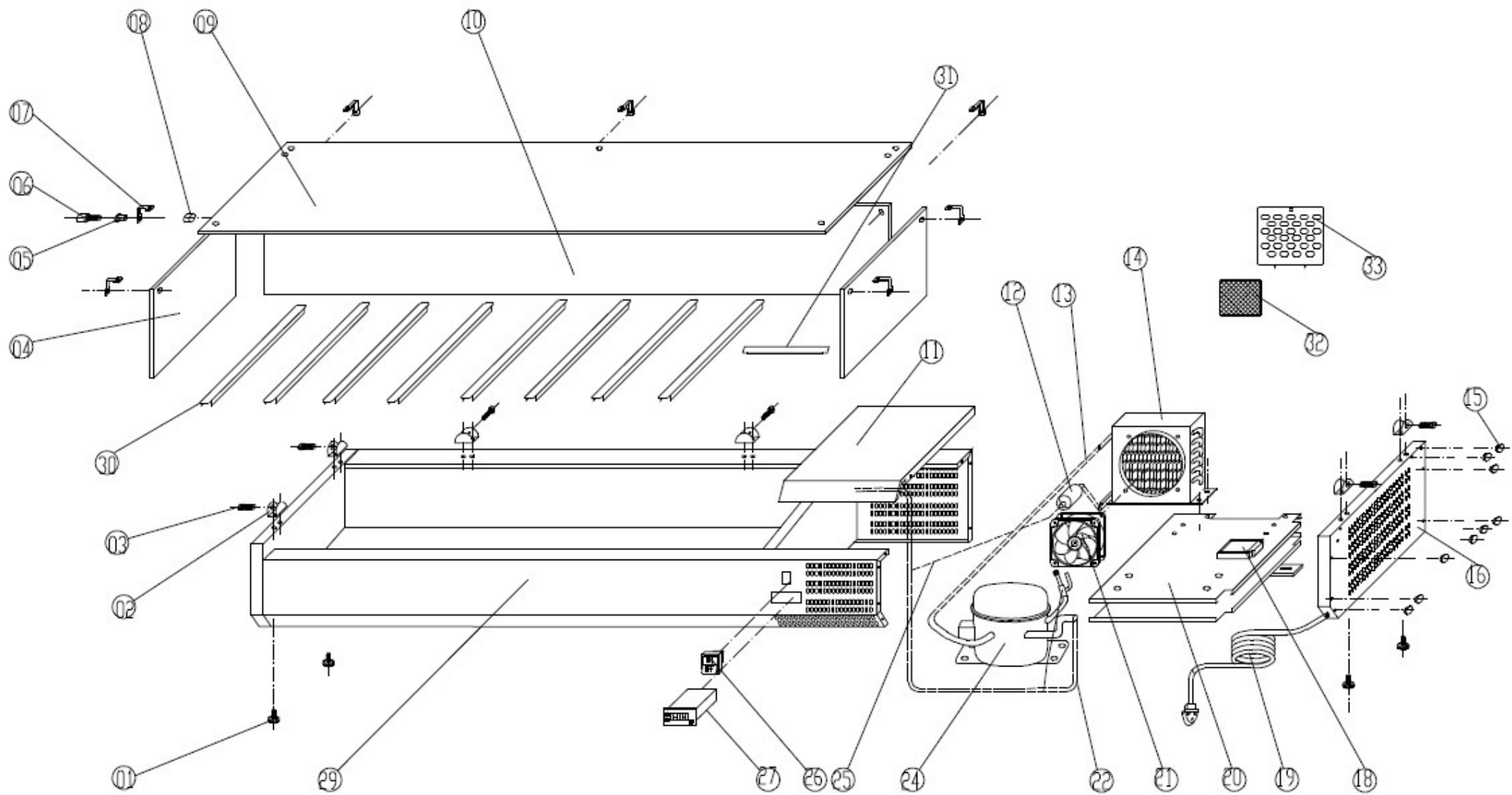


Explosionszeichnung

Kühlaufsatz
RX 2000



KBS Gastrotechnik GmbH - Johannes-Kepler-Str. 14 - 55129 Mainz



SPARENPARTS LIST

N0.	CODE	NAME	MODEL	QUANTI
1	G350.06	FEET	S900Φ8	4PCS
2	VRX.01	GLASS CLIP		6PCS
3	VRX.02	GLASS CLIP FIXED BOLT		12PCS
4	VRX38.3	SIDE GLASS		2PCS
5	VRX.04	BUSHING		14PCS
6	VRX.05	GLASS FIXED BOLT	M6	14PCS
7	VRX.06	GLASS LINKED CLIP		7PCS
8	VRX.07	GLASS CLIP FIXED NUT		14PCS
9	VRX38/20.8	TOP GLASS		1PC
10	VRX38/20.9	BACK GLASS		1PC
11	VRX38.10	UNIT ROOM COVER		1PC
12	S900.44	FILTER DRIER	20g	1PC
13	S900.36	DISCHARGE TUBE	Φ6	1PC
14	VRX.11	CONDENSER	1/5HP	1PC
15	S900.03	PLASTIC CAP	Φ13	9PCS
16	VRX38.12	SIDE COVER		1PC
19	S900.47	PLUG	LT312/1.5MM ² x3G	1PC
20	VRX38.14	UNIT BOARD		1
21	S900.34	CONDENSER FAN	SA1238A2	1PC
22	S900.39	SUCTION TUBE	Φ8	1PC
24	G-VRX.02	COMPRESSOR	HDL140A	1PC
25	VRX.15	CAPILLARY	Φ2.3x0.8x2000	1PC
26	S900.01	MAIN SWITCH	DRH-2415-3	1PC
27	S900.02	THERMOSTAT	XR02CX	1PC
29	VRX38/20.17	BODY		1PC
30	1/3GN.26	SUPPORT	326*26*9	8PCS
31	PS200.02 (1/6)	SHORT SUPPORT	178*16*9	4PCS
32	U-GN2100TN.03N	FILTER		1PC
33	S900.51	AIR FLOW WINDOW		1PC