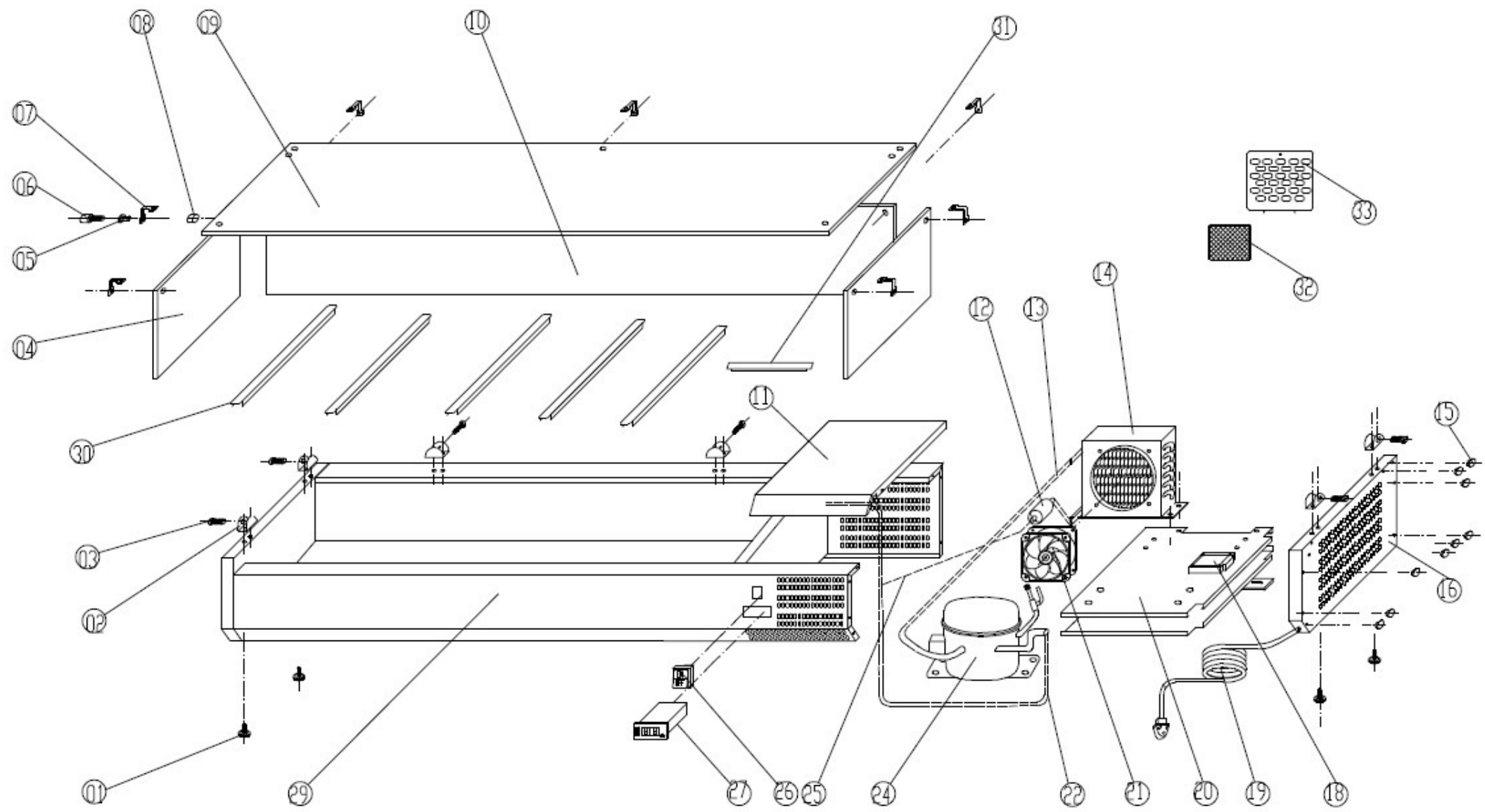


Explosionszeichnung

Kühlaufsatz
RX 1500



KBS Gastrotechnik GmbH - Johannes-Kepler-Str. 14 - 55129 Mainz



SPARE PARTS LIST				
N0.	CODE	NAME	MODEL	QUANTITY
1	G350.06	FEET	S900 Φ8	4PCS
2	VRX.01	GLASS CLIP		6PCS
3	VRX.02	GLASS CLIP FIXED BOLT		12PCS
4	VRX38.3	SIDE GLASS		2PCS
5	VRX.04	BUSHING		14PCS
6	VRX.05	GLASS FIXED BOLT		14PCS
7	VRX.06	GLASS LINKED CLIP		7PCS
8	VRX.07	GLASS CLIP FIXED NUT		14PCS
9	VRX38/15.8	TOP GLASS		1PCS
10	VRX38/15.9	BACK GLASS		1PCS
11	VRX38.10	UNIT ROOM COVER		1PCS
12	S900.44	FILTER DRIER	20g	1PCS
13	S900.36	DISCHARGE TUBE	Φ6	1PCS
14	VRX.11	CONDENSER	1/5HP	1PCS
15	S900.03	PLASTIC CAP	Φ13	9PCS
16	VRX38.12	SIDE COVER		1PCS
19	S900.47	PLUG	LT312/1.5MM ² x3G	1PCS
20	VRX38.14	UNIT BOARD		1
21	S900.34	CONDENSER FAN	SA1238A2	1PCS
22	S900.39	SUCTION TUBE	Φ8	1PCS
24	G-VRX.01	COMPRESSOR	HDL-100A	1PC
25	VRX.15	CAPILLARY	Φ2.3x0.8x2000	1PCS
26	S900.01	MAIN SWITCH	DRH-2415-3	1PCS
27	S900.02	THERMOSTAT	XR02CX	1PCS
29	VRX38/15.17	BODY		1PCS
30	1/3GN.36.5	SUPPORT	326*36.5*9	5PCS
31	PS200.02 (1/6)	SHORT SUPPORT	178*16*9	4PCS
32	U-GN2100TN.03N	FILTER		1PC
33	S900.51	AIR FLOW WINDOW		1PC