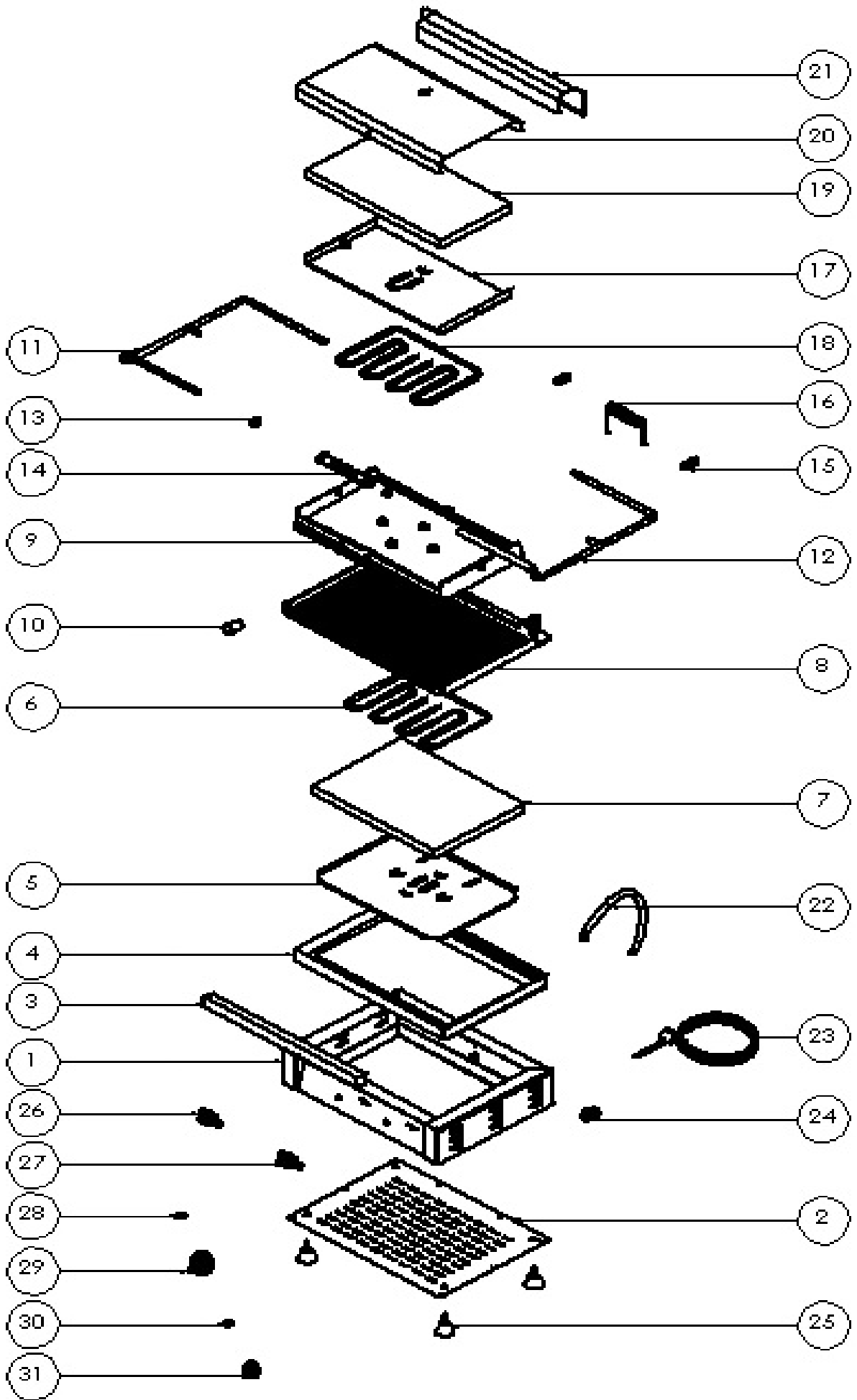



EXPLOSIONSZEICHNUNG



KBS Gastrotechnik GmbH – Schoßbergstraße 26 – 65201 Wiesbaden



| | | | |
|------------------|--|---|-------------------------------------|
| KG 2745 E |  | Dış Ölçüler / Outside Dim. | 480 x 360 x 300 mm. |
| | | Döküm Yüzeyi (Üst - Alt) / Casting Surface (Upper / Lower) | Oluklı - Oluklı / Grooved - Grooved |
| | | Pişirme Yüzeyi / Baking Surface | 45 x 27 cm. |
| | | Termostat Aralığı (°C) / Thermostat Interval (°C) | 52 - 310 °C |
| | | Toplam Elektrik Gücü (kW) / Total Power (kW) | 3,00 kW. |
| | | Elektrik Besleme Gerilimi (V/A) / Power Supply Voltage (V/A) | 220 V F+N / 14 A. |
| | | Besleme Kablosu / Power Supply Cable | 3 x 1,5 H07RN-F |
| | | İç Tesilat Kabloları / Internal Cable | SIAF 2,5 mm ² |
| | | İzolasyon / Insulation | Taş Yünü / Rock Wool |
| | | Ağırlık / Weight | 32 kg. |

| NO. | AÇIKLAMA | DESCRIPTION | ÜRÜN NO. ITEM NO | ADET / PCS. |
|-----|----------------------|---------------------------|---------------------|----------------|
| 1 | GÖVDE | MAIN BODY | KG2745E-01 | 1 |
| 2 | TABAN | LOWER COVER | KG2745E-02 | 1 |
| 3 | YAĞDANLIK | LUBRICATOR | KG2745E-03 | 1 |
| 4 | ÇERCEVE | FRAME | KG2745E-04 | 1 |
| 5 | ALT REZİSTANS TUTUCU | LOWER RESISTANCE HOLDER | KG2745E-05 | 1 |
| 6 | ALT REZİSTANS | LOWER RESISTANCE | KG2745E-06 | 1 |
| 7 | ALT İZOLASYON | LOWER INSULATION | KG2745E-07 | 1 |
| 8 | ALT DÖKÜM | LOWER CASTING | KG2745E-08 | 1 |
| 9 | ÜST DÖKÜM | UPPER CASTING | KG2745E-09 | 1 |
| 10 | ÜST KAPAK TUTUCU | UPPER COVER HOLDER | KG2745E-10 | 1 |
| 11 | SOL KOL | LEFT ARM | KG2745E-11 | 1 |
| 12 | SAĞ KOL | RIGHT ARM | KG2745E-12 | 1 |
| 13 | YÜZÜK | HANDLE CONNECTION ELEMENT | KG2745E-13 | 2 |
| 14 | DERLİN TUTAMAK | UP COVER LIFT | KG2745E-14 | 1 |
| 15 | KARE | SQUARE | KG2745E-15 | 2 |
| 16 | YAY | COIL | KG2745E-16 | 1 |
| 17 | ÜST REZİSTANS TUTUCU | UPPER RESISTANCE HOLDER | KG2745E-17 | 1 |
| 18 | ÜST REZİSTANS | UPPER RESISTANCE | KG2745E-18 | 1 |
| 19 | ÜST İZOLASYON | UPPER INSULATION | KG2745E-19 | 1 |
| 20 | ÜST KAPAK | UPPER COVER | KG2745E-20 | 1 |
| 21 | ARKA KAPAK | REAR COVER | KG2745E-21 | 1 |
| 22 | SPIRAL | CABLE PROTECTION | KG2745E-22 | 1 |
| 23 | BESLEME KABLOSU | FEEDING CABLE | KG2745E-23 | 1 |
| 24 | RAKOR | FEEDING CABLE SOCKET | KG2745E-24 | 1 |
| 25 | AYAK | FEET | KG2745E-25 | 4 |
| 26 | TERMOSTAT | THERMOSTAT | KG2745E-26 | 1 |
| 27 | ŞALTER | POWER SWITCH | KG2745E-27 | 1 |
| 28 | TERMOSTAT LAMBASI | THERMOSTAT LAMP | KG2745E-28 | 1 |
| 29 | TERMOSTAT DÜĞMESİ | THERMOSTAT BUTTON | KG2745E-29 | 1 |
| 30 | ŞALTER LAMBASI | POWER SWITCH LAMP | KG2745E-30 | 1 |
| 31 | ŞALTER DÜĞMESİ | POWER SWITCH BUTTON | KG2745E-31 | 1 |



ÜRÜN ADI / PRODUCT

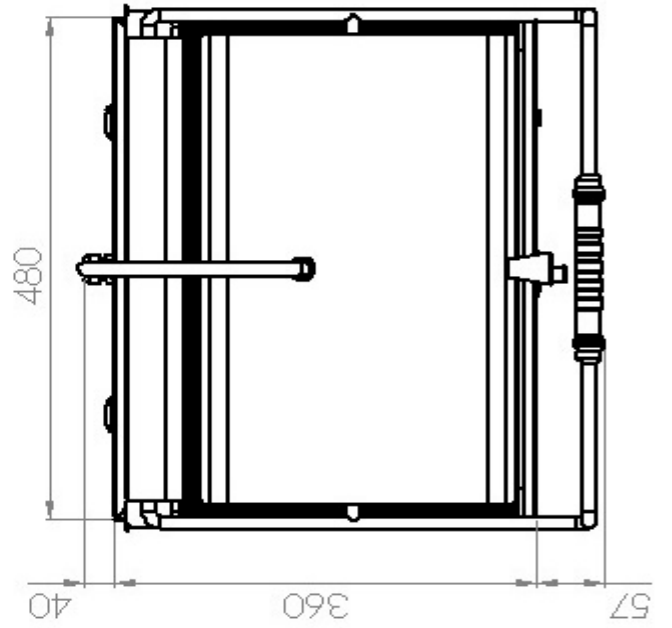
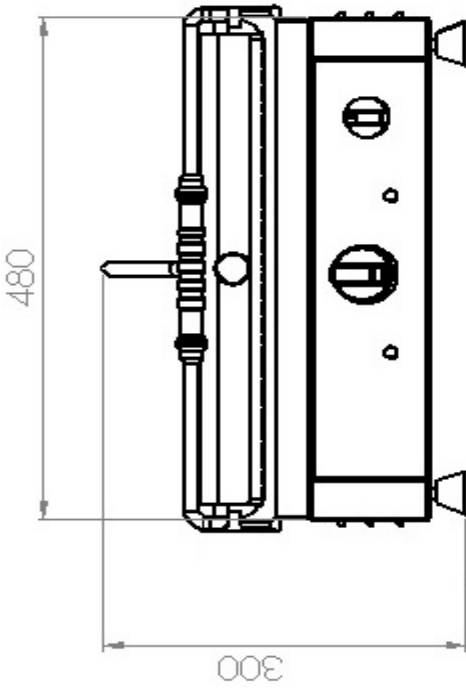
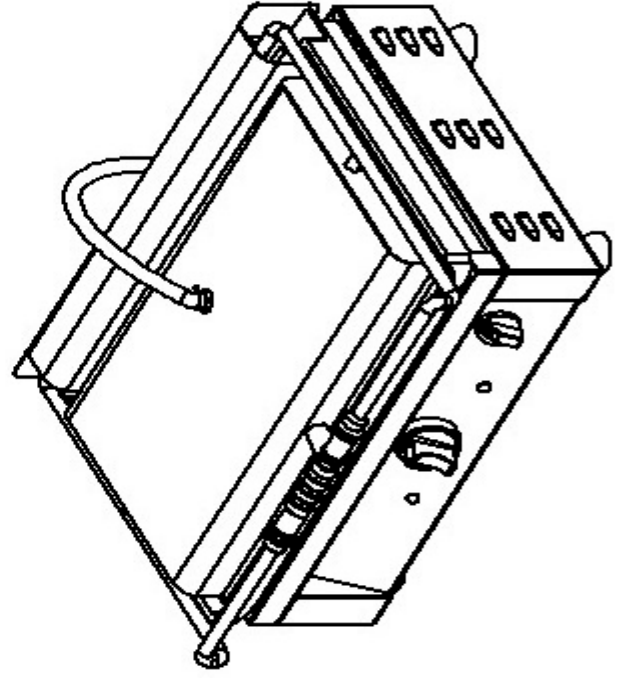
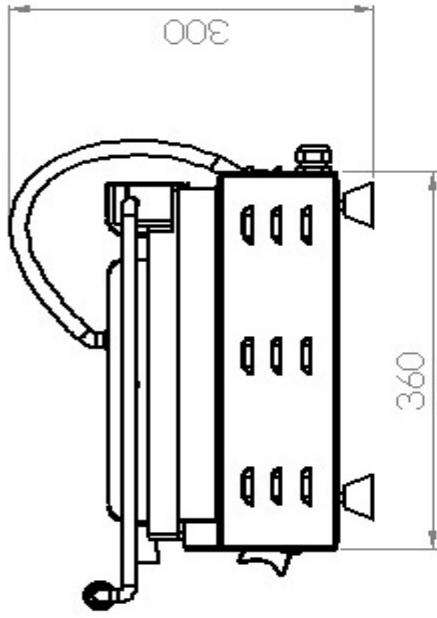
KG 2745 E

TARİH / DATE

14.08.2018

**DETAY RESİM LİSTESİ
DETAIL PICTURE LIST**

SAYFA NO: 2 / 4
PAGE NO.: 2 / 4



ÜRÜN ADI / PRODUCT

KG 2745 E

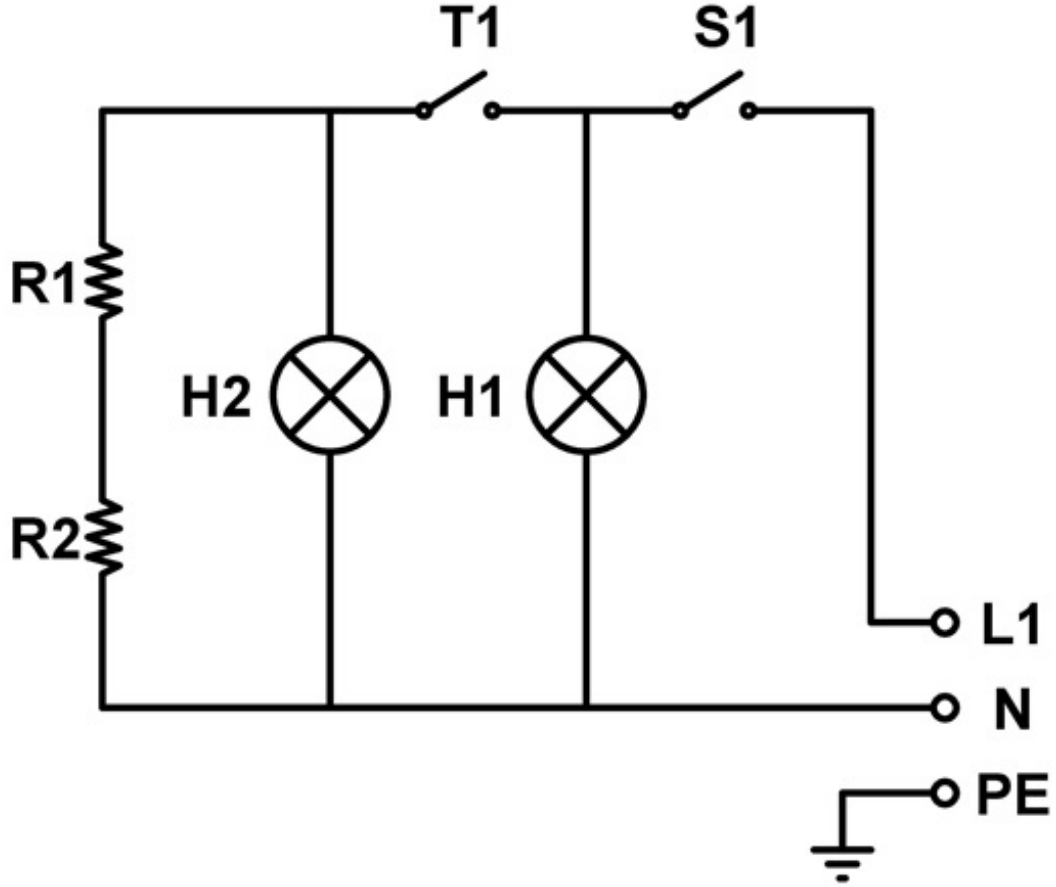
TARİH / DATE

14.08.2018

ÖLÇÜLENDİRME
MEASUREMENTS

SAYFA NO: 3 / 4
PAGE NO.: 3 / 4

KG 2745 E TOST MAKİNASI - ELEKTRİK ŞEMASI
KG 2745 E CONTACT GRILL - ELECTRICAL CIRCUIT DIAGRAM



| NO | AÇIKLAMA / DESCRIPTION | NO | AÇIKLAMA / DESCRIPTION |
|----|---|----|---|
| R1 | Rezistans / Resistance (1650 W) | S1 | Şalter / Power Switch |
| R2 | Rezistans / Resistance (1350 W) | H1 | Şalter Kontrol Lambası Power Switch Control Lamps |
| T1 | Termostat / Thermostat (52 - 310 °C) | H2 | Termostat Kontrol Lambası Thermostat Control Lamps |