

EXPLOSIONSZEICHNUNG



KBS Gastrotechnik GmbH – Schoßbergstraße 26 – 65201 Wiesbaden

MODEL-DRAWING RELATION

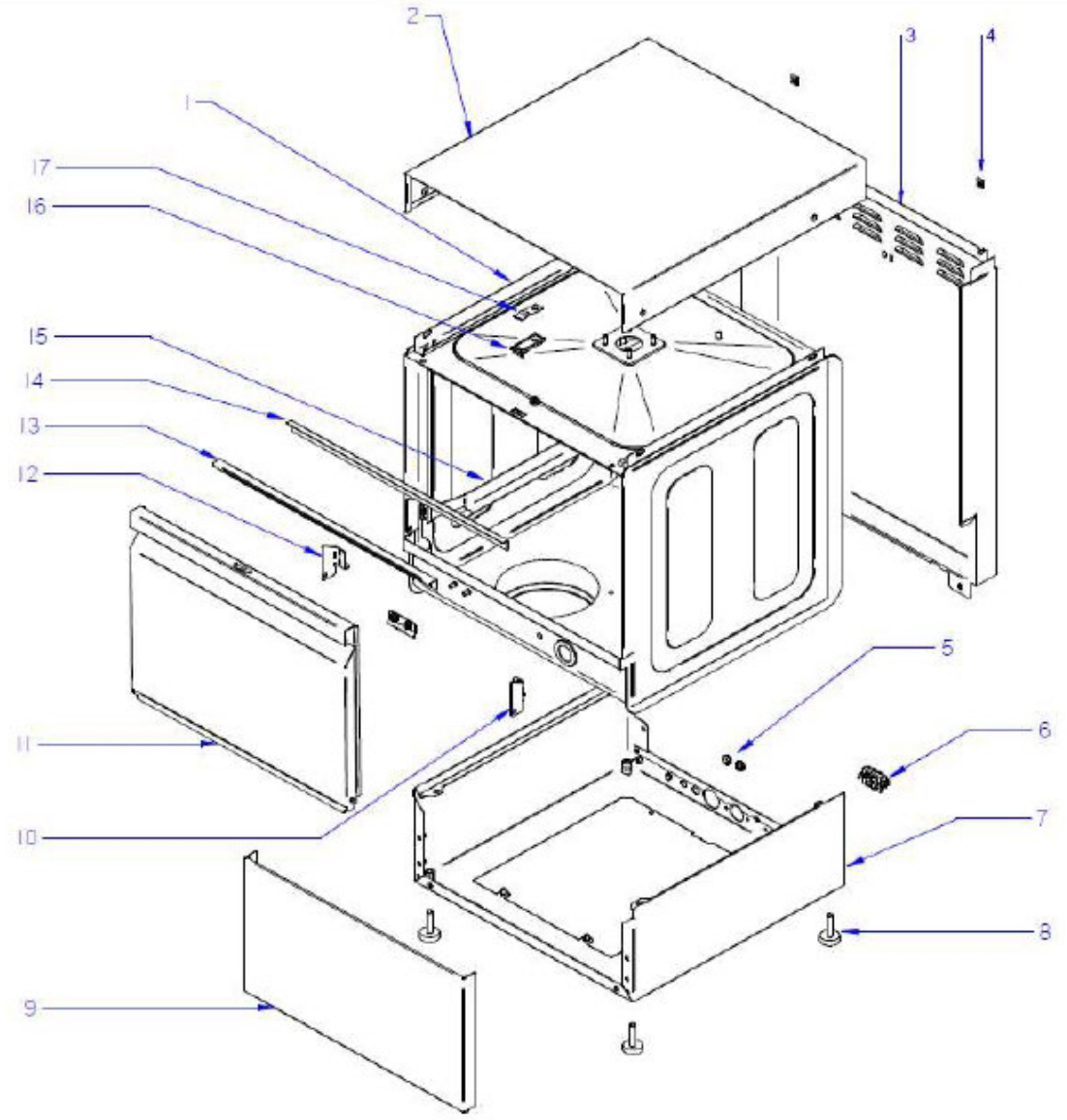
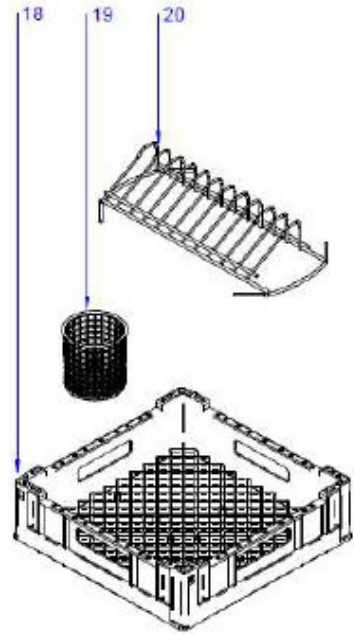
MODEL	GW_001	GW_002	GW_003	GW_004	GW_005	GW_007
	Structure	Wash Functional Part	Gravity Drain	Drain Pump	Rinsing Functional Part	Electric Functional Part
G-OEM-350	X	X	X		X	X
G-OEM-350 DD	X	X	X		X	X
G-OEM-350 B	X	X		X	X	X
G-OEM-35 B DD	X	X		X	X	X
G-OEM-350 SA	X	X	X		X	X
G-OEM-350 DD SA	X	X	X		X	X
G-OEM-350 B SA	X	X		X	X	X
G-OEM-350 B DD SA	X	X		X	X	X
G-OEM-350 UK	X	X	X		X	X
G-OEM-350 DD UK	X	X	X		X	X
G-OEM-350 B SA UK	X	X		X	X	X
G-OEM-35 B DD UK	X	X		X	X	X
G-OEM-350 SA UK	X	X	X		X	X
G-OEM-350 DD SA UK	X	X	X		X	X
G-OEM-350 B SA UK	X	X		X	X	X
G-OEM-350 B DD SA UK	X	X		X	X	X
G-OEM-400	X	X	X		X	X
G-OEM-400 DD	X	X	X		X	X
G-OEM-400 B	X	X		X	X	X
G-OEM-400 B DD	X	X		X	X	X
G-OEM-400 SA	X	X	X		X	X
G-OEM-400 DD SA	X	X	X		X	X
G-OEM-400 B SA	X	X		X	X	X
G-OEM-400 B DD SA	X	X		X	X	X
G-OEM-400 UK	X	X	X		X	X
G-OEM-400 DD UK	X	X	X		X	X
G-OEM-400 B SA UK	X	X		X	X	X
G-OEM-400 B DD UK	X	X		X	X	X
G-OEM-400 SA UK	X	X	X		X	X
G-OEM-400 DD SA UK	X	X	X		X	X
G-OEM-400 B SA UK	X	X		X	X	X
G-OEM-400 B DD SA UK	X	X		X	X	X

* Si su modelo no esta en la lista de planos, escoga la descripcion mas cercana

* If your model does not appear in the list of drawings, choose the closest description

OPTIONS	DESCRIPCIÓN	DESCRIPTION
B	Bomba de desagüe	Drain Pump
DD	Dosificador de detergente	Detergent dispenser
SA	Ramas de lavado y aclarado en inoxidable	Stainless steel washing and rinsing arms
UK	Potencia de cuba y cable modificado para R.U	Modified Tank power and power cord for UK

Model / Désignation N°	Forma / Sigareta	Fecha / Data	Apartado / Appliance	ASIMAZON / ISRAEL	Laminado / Steel
GW_001	Filip.S	02/2018	GLASS-WASHERS GRAND 350 & 400		1

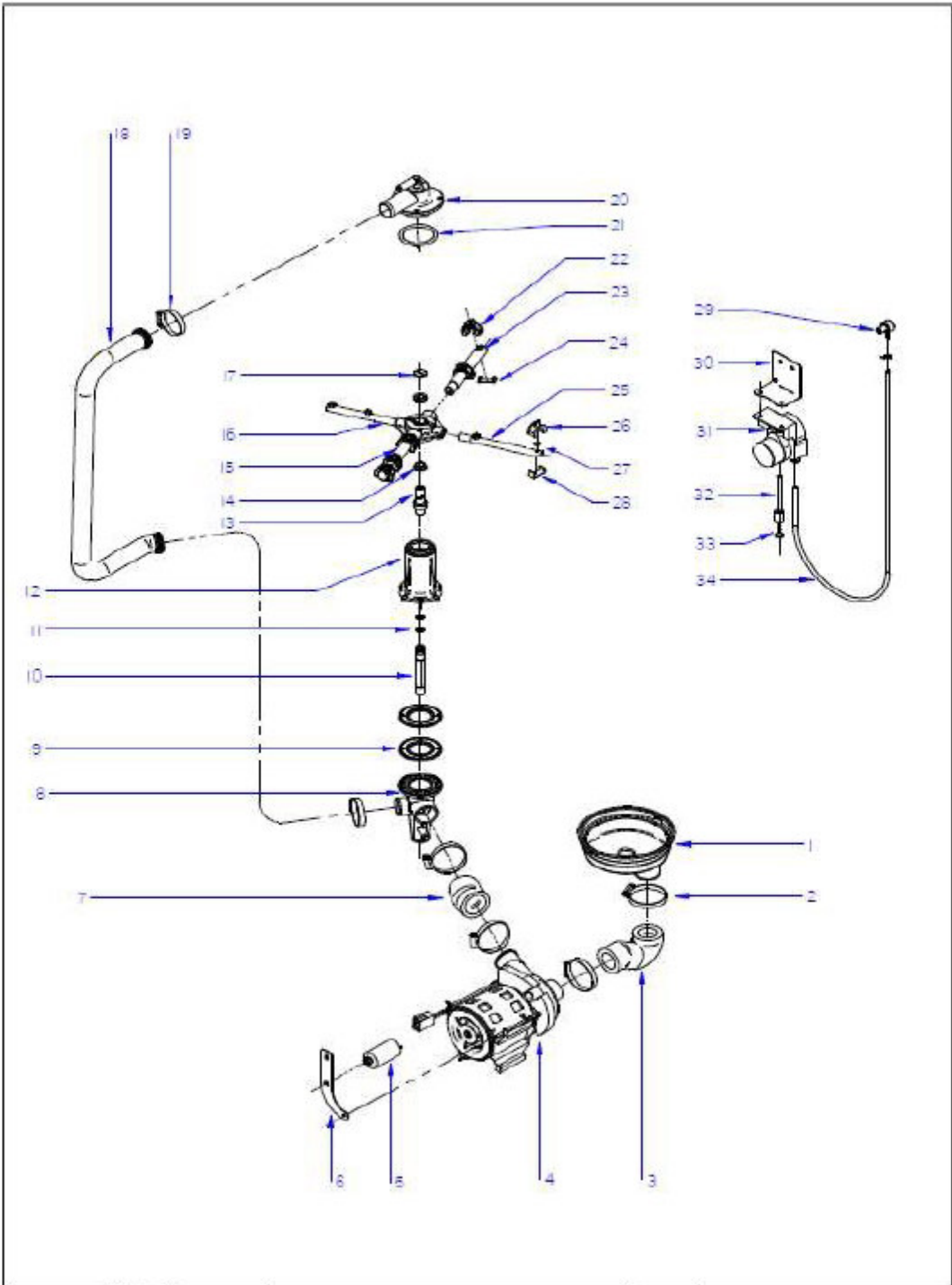


ZONA / ZONE	ARMAZON LAVA-VASOS / GW FRAME
-------------	-------------------------------

LÁMINA / DRAWING	GW_001
------------------	--------

ITEM	REFERENCIA REFERENCE	DENOMINACIÓN	DENOMINATION	G-OEM-350	G-OEM-350 B	G-OEM-350 DD	G-OEM-350 B DD	G-OEM-350 UK	G-OEM-350 B UK	G-OEM-350 DD UK	G-OEM-350 B DD UK						RECOMMENDED	ELIMINADO ELIMINATED	INTRODUCIDO INTRODUCED	NOTAS NOTES	
1	12021892	SOPORTE PANEL SUPERIOR 350	LID HOLDER 350	2	2	2	2	2	2	2	2										
2	12139538	PANEL SUPERIOR 350	LID PANEL 350	2	2	2	2	2	2	2	2										
3	12139537	PANEL POSTERIOR 350	GW-350 BACK PANEL	1	1	1	1	1	1	1	1										
4	12010134	TUERCA RAPIDA M-5	M-5 FAST NUT	8	8	8	8	8	8	8	8										
5	12037842	PASAHILOS DE GOMA	RUBBER CONDUIT PROTECTOR	1	1	1	1	1	1	1	1										
6	12024230	RETENEDOR DE CABLE	COMPLETE GW-350 BASE	1	1	1	1	1	1	1	1										
7	12140246	BASE LAVAVASOS COMPLETO 350	COMPLETE GW-350 BASE	1	1	1	1	1	1	1	1										
8	12024163	PATA REGULABLE	ADJUSTABLE LEG	1	1	1	1	1	1	1	1										
9	12139531	PANEL FRONTAL INFERIOR 350	FRONT BOTTOM PANEL 350	1	1	1	1	1	1	1	1										
10	12048774	SOPORTE PUERTA DERECHA	RIGHT DOOR SUPPORT	1	1	1	1	1	1	1	1										
11	*	PUERTA COMPLETA 350	COMPLETE DOOR 350	1	1	1	1	1	1	1	1										Check Optionals
12	12048627	SOPORTE PUERTA IZQUIERDA	DOOR LEFT SUPPORT	1	1	1	1	1	1	1	1										
13	12102061	PERFIL JUNTA VAHOS 350	DOOR GASKET PROFILE 350	1	1	1	1	1	1	1	1										
14	12087200	PERFIL VAHOS 350	DOOR GASKET 350	1	1	1	1	1	1	1	1										
15	12049133	GUIA CESTILLO IZQU. 350	LEFT BASKET GUIDE 350	1	1	1	1	1	1	1	1										
S/Nº	12049135	GUIA CESTILLO DERECHA 350	RIGHT BASKET GUIDE 350	1	1	1	1	1	1	1	1										
16	12087183	MACHO CIERRE PUERTA	DOOR PLASTIC BLOCKER	1	1	1	1	1	1	1	1										
17	12087186	FLEJE CIERRE PUERTA	DOOR CLOSING SPRING PLATE	1	1	1	1	1	1	1	1										
18	12024550	CESTILLO 350	350 BASKET	2	2	2	2	2	2	2	2										
19	12025242	CESTILLO CUBIERTOS LVS	GW CUTTLERY BASKET	1	1	1	1	1	1	1	1										
20	12025030	SUPLEMENTO PLATILLOS LVS	DISH-HOLDER	-	-	-	-	-	-	-	-										

ITEM	REFERENCIA REFERENCE	DENOMINACIÓN	DENOMINATION	G-OEM-400	G-OEM-400 B	G-OEM-400 DD	G-OEM-400 B DD	G-OEM-400 UK	G-OEM-400 B UK	G-OEM-400 DD UK	G-OEM-400 B DD UK					RECOMMENDED	ELIMINADO ELIMINATED	INTRODUCIDO INTRODUCED	NOTAS NOTES
1	12170256	SOPORTE PANEL SUPERIOR 400	LID HOLDER 400	1	1	1	1	1	1	1	1								
2	12140262	PANEL SUPERIOR 400	GW-400 LID	2	2	2	2	2	2	2	2								
3	12010134	TUERCA RAPIDA M-5	M-5 FAST NUT	8	8	8	8	8	8	8	8								
4	12140261	PANEL POSTERIOR 400	GW-400 BACK PANEL	1	1	1	1	1	1	1	1								
5	12037842	PASAHILOS DE GOMA	RUBBER CONDUIT PROTECTOR	1	1	1	1	1	1	1	1								
6	12024230	RETENEDOR DE CABLE	COMPLETE GW-350 BASE	1	1	1	1	1	1	1	1								
7	12140269	BASE LAVAVASOS COMPLETO 400	COMPLETE GW-400 BASE	1	1	1	1	1	1	1	1								
8	12024163	PATA REGULABLE	ADJUSTABLE LEG	1	1	1	1	1	1	1	1								
9	12140260	PANEL FRONTAL INFERIOR 400	FRONT BOTTOM PANEL 400	1	1	1	1	1	1	1	1								
10	12048774	SOPORTE PUERTA DERECHA	RIGHT DOOR SUPPORT	1	1	1	1	1	1	1	1								
11	*	PUERTA COMPLETA 400	COMPLETE DOOR 400	1	1	1	1	1	1	1	1								Check Optionals
12	12048627	SOPORTE PUERTA IZQUIERDA	DOOR LEFT SUPPORT	1	1	1	1	1	1	1	1								
13	12102035	PERFIL JUNTA VAHOS 400	DOOR GASKET PROFILE400	1	1	1	1	1	1	1	1								
14	12101867	PERFIL VAHOS 400	DOOR GASKET 400	1	1	1	1	1	1	1	1								
15	12102194	GUIA CESTILLO DERECHA 400	RIGHT BASKET GUIDE 400	1	1	1	1	1	1	1	1								
S/Nº	12102193	GUIA CESTILLO IZQU. 400	LEFT BASKET GUIDE 400	1	1	1	1	1	1	1	1								
16	12087183	MACHO CIERRE PUERTA	DOOR PLASTIC BLOCKER	1	1	1	1	1	1	1	1								
17	12087186	FLEJE CIERRE PUERTA	DOOR CLOSING SPRING PLATE	1	1	1	1	1	1	1	1								
18	12025069	CESTILLO 400	400 BASKET	2	2	2	2	2	2	2	2								
19	12025242	CESTILLO CUBIERTOS LVS	GW CUTTLERY BASKET	1	1	1	1	1	1	1	1								
20	12025030	SUPLEMENTO PLATILLOS LVS	DISH-HOLDER	1	1	1	1	1	1	1	1								



N.º plano / Drawing N.	Firma / Signature	Fecha / Date	Apellido / Apellido	PARTE FUNCIONAL LAVADO / WASHING FUNCTIONAL PART	Lamina / Sheet
GW-002	Aitor U	02/2018		GLASS-WASHERS GRAND-350 & 400	2

ZONA / ZONE	PARTE FUNCIONAL LAVADO / WASHING FUNCTIONAL PART
-------------	--

LAMINA / DRAWING	GW_002
------------------	--------

ITEM	REFERENCIA REFERENCE	DENOMINACIÓN	DENOMINATION	G-OEM-350	G-OEM-350 B	G-OEM-350 DD	G-OEM-350 DD DD	G-OEM-350 SA	G-OEM-350 B SA	G-OEM-350 DD SA	G-OEM-350 B DD SA						RECOMMENDED	ELIMINADO ELIMINATED	INTRODUCIDO INTRODUCED	NOTAS NOTES
1	12023617	CUBETA_EVCO-21	Drainage Bowl GW	1	1	1	1	1	1	1	1									
S/N	12025195	ABRAZADERA CUBETA COMPLETA	Drainage Bowl Clamp GW	1	1	1	1	1	1	1	1									
2	12009962	ABRAZADERA 40-60	40-60 CLAMP	4	4	4	4	4	4	4	4									
3	12023670	CODO ASPIRACION	Wash Pump Inlet Pipe GW	1	1	1	1	1	1	1	1									
4	12023429	BOMBA LAVADO 50/60Hz 260 W	WASHIG 50/60Hz 260 W	1	1	1	1	1	1	1	1						X			
5	12024346	CONDENSADOR 10MF	10MF CAPACITOR	1	1	1	1	1	1	1	1						X			
6	12139529	SOPORTE BOMBA LAVADO 350	WASHIG PUMP HANGER 350	1	1	1	1	1	1	1	1									
7	12023607	CODO IMPULSION	Wash Pump Outlet Pipe GW	1	1	1	1	1	1	1	1									
8	12024703	PASAMUROS CESTO CUADRADO	Lower Outer Feedthrough GW	1	1	1	1	1	1	1	1									
9	12023533	JUNTA ESTANQUEIDAD	Bottom Feedthrough Gasket GW	2	2	2	2	2	2	2	2									
10	12023801	EMPALME ACLARADO	Rinsing Connector	1	1	1	1	1	1	1	1									
11	12009911	JUNTA TO.10.82X14.38X1.78	O-ring10,82x14,38x1,78	2	2	2	2	2	2	2	2									
12	12025133	SOPORTE INFER. CUADRO COM	Botton Feedthrough GW	1	1	1	1	1	1	1	1									
13	12025114	EJE_LAVAVASOS	Arm rotation central shaft GW	2	2	2	2	2	2	2	2									
14	12024086	CASQUILLO CRUCETA	Arm holder sleeve GW	4	4	4	4	4	4	4	4									
15	12019827	RAMA LAVADO A 350 INOX.	SS WASHING BRANCH A 350	-	-	-	-	2	2	2	2									
15	12024138	RAMA LAVADO A 350 PLÁSTICO	PLASTIC WASHING BRANCH A 350	2	2	2	2	-	-	-	-									
16	12020475	RAMA ACLARADO A 350 INOX.	SS RINSING BRANCH A 350	-	-	-	-	2	2	2	2									
16	12025253	RAMA ACLARADO A 350 PLÁSTICO	PLASTIC RINSING BRANCH A 350	2	2	2	2	-	-	-	-									
17	12009829	TORNILLO ESPECIAL M5X0.8	Screw special INOX M5X7MM	2	2	2	2	2	2	2	2									
18	12024059	ARBOL LAVADO 350	WASHING TREE 350	1	1	1	1	1	1	1	1									
19	12009986	ABRAZADERA 32-50L	Worm clamp 32-50mmL W2	2	2	2	2	2	2	2	2									
20	12023590	SOPORTE DISTRIBUIDOR SUPERIOR	Upper Feedthrough GW	1	1	1	1	1	1	1	1									
21	12010079	JUNTA TOR.50.17X60.83X5.3	O-RING 50,17x60,83x5,33	1	1	1	1	1	1	1	1									
22	12023732	TOBERA LAVADO	Washing Nozzle	10	10	10	10	10	10	10	10									
23	12020475	RAMA LAVADO B 350 INOX.	WASHING BRANCH B 350 SS	-	-	-	-	2	2	2	2									
23	12025251	RAMA LAVADO PLÁSTICO B 350	PLASTIC WASHING BRANCH B 350	2	2	2	2	-	-	-	-									
24	12023710	ENGANCHE TOBERA LAVADO	WASHING NOZZLE HOLDER	10	10	10	10	10	10	10	10									
25	12020476	RAMA ACLARADO B 350 INOX.	SS RINSING BRANCH B 350	-	-	-	-	2	2	2	2									
25	12024137	RAMA ACLARADO B 350	PLASTIC RINSING BRANCH B 350	2	2	2	2	-	-	-	-									

ZONA / ZONE	PARTE FUNCIONAL LAVADO / WASHING FUNCTIONAL PART
-------------	--

LAMINA / DRAWING	GW_002
------------------	--------

ITEM	REFERENCIA REFERENCE	DENOMINACIÓN	DENOMINATION	G-OEM-350	G-OEM-350 B	G-OEM-350 DD	G-OEM-350 B DD	G-OEM-350 SA	G-OEM-350 B SA	G-OEM-350 DD SA	G-OEM-350 B DD SA						RECOMMENDED	ELIMINADO ELIMINATED	INTRODUCIDO INTRODUCED	NOTAS NOTES
26	12024252	TOBERA ACLARADO INOX.	SS RINSING NOZZLE	-	-	-	-	8	8	8	8									
26	12024077	TOBERA ACLARADO PLASTICO	PLASTIC RINSING NOZZLE	8	8	8	8	-	-	-	-									
27	12009912	JUNTA TOR. 5.28X8.84X1.78	O-RING 5,28x8,84x1,78	8	8	8	8	-	-	-	-									
28	12024006	ENGANCHE TOBERA ACLARADO	RINSE NOZZLE HOLDER	8	8	8	8	-	-	-	-									
	12182946	SET DISPENSADOR DETERGENTE LVS	GW DETERGENT DISPENSER SER	-	-	1	1	-	-	1	1									
29	12024531	PASAMUROS DETERGENTE	Detergent Feedthrough	-	-	1	1	-	-	1	1									
30	12140258	SOPORTE DOSIFICADOR	DISPENSER HOLDER	-	-	1	1	-	-	1	1									
31	12133011	DOSIFICADOR DE DETERGENTE	DETERGENT DISPENSER	-	-	1	1	-	-	1	1						X			
32	12024139	CONDUCTO ASPIRACION DET.	DETERGENT ASPIRATION PIPE	-	-	1	1	-	-	1	1									
33	12164632	PESO FILTRO	FILTER WEIGHT	-	-	1	1	-	-	1	1									
34	11000079	CONDUCTO DOSIF. TRANSP 6X4	DET. DISPENSER PIPE 6X4	-	-	1	1	-	-	1	1									

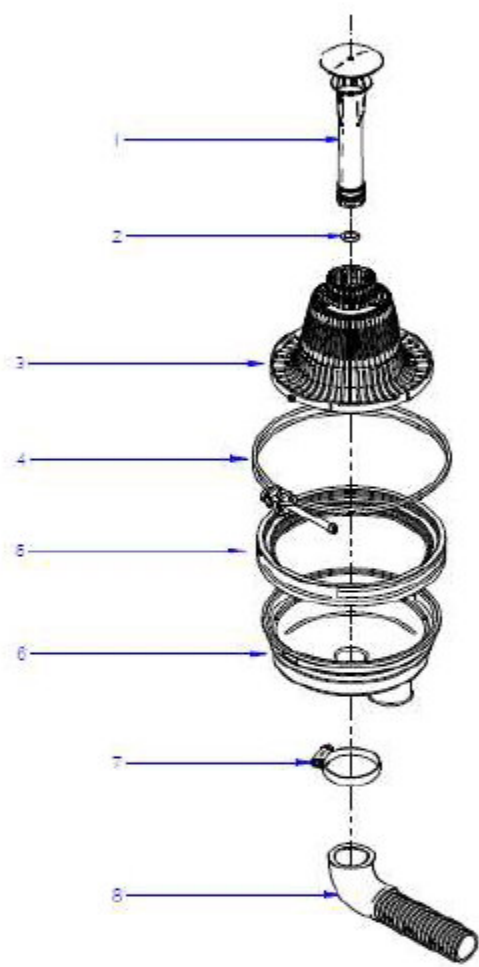
ZONA / ZONE	PARTE FUNCIONAL LAVADO / WASHING FUNCTIONAL PART
-------------	--

LAMINA / DRAWING	GW_002
------------------	--------

ITEM	REFERENCIA REFERENCE	DENOMINACIÓN	DENOMINATION	G-OEM-400	G-OEM-400 B	G-OEM-400 DD	G-OEM-400 B DD	G-OEM-400 SA	G-OEM-400 B SA	G-OEM-400 DD SA	G-OEM-400 B DD SA							RECOMMENDED	ELIMINADO ELIMINATED	INTRODUCIDO INTRODUCED	NOTAS NOTES
1	12023617	CUBETA_EVCO-21	Drainage Bowl GW	1	1	1	1	1	1	1	1										
	12025195	ABRAZADERA CUBETA COMPLETA	Drainage Bowl Clamp GW	1	1	1	1	1	1	1	1										
2	12009962	ABRAZADERA 40-60	40-60 CLAMP	4	4	4	4	4	4	4	4										
3	12023670	CODO ASPIRACION	Wash Pump Inlet Pipe GW	1	1	1	1	1	1	1	1										
4	12023429	BOMBA LAVADO 50/60Hz 260 W	WASHIG 50/60Hz 260 W	1	1	1	1	1	1	1	1							X			
5	12024346	CONDENSADOR 10MF	10MF CAPACITOR	1	1	1	1	1	1	1	1							X			
6	12140257	SOPORTE BOMBA LAVADO 400	WASHIG PUMP HANGER 400	1	1	1	1	1	1	1	1										
7	12023607	CODO IMPULSION	Wash Pump Outlet Pipe GW	1	1	1	1	1	1	1	1										
8	12024703	PASAMUROS CESTO CUADRADO	Lower Outer Feedthrough GW	1	1	1	1	1	1	1	1										
9	12023533	JUNTA ESTANQUEIDAD	Bottom Feedthrough Gasket GW	2	2	2	2	2	2	2	2										
10	12023801	EMPALME ACLARADO	Rinsing Connector	1	1	1	1	1	1	1	1										
11	12009911	JUNTA TO.10.82X14.38X1.78	O-ring10,82x14,38x1,78	2	2	2	2	2	2	2	2										
12	12025133	SOPORTE INFER. CUADRO COM	Botton Feedthrough GW	1	1	1	1	1	1	1	1										
13	12025114	EJE_LAVAVASOS	Arm rotation central shaft GW	2	2	2	2	2	2	2	2										
14	12024086	CASQUILLO CRUCETA	Arm holder sleeve GW	4	4	4	4	4	4	4	4										
15	12022381	RAMA LAVADO A 400 INOX.	SS WASHING BRANCH A 400	-	-	-	-	2	2	2	2										
15	12126179	RAMA LAVADO A 400 PLÁSTICO	PLASTIC WASHING BRANCH A 400	2	2	2	2	-	-	-	-										
16	12022613	RAMA ACLARADO A 400 INOX.	SS RINSING BRANCH A 400	-	-	-	-	2	2	2	2										
16	12023526	RAMA ACLARADO A 400 PLÁSTICO	PLASTIC RINSING BRANCH A 400	2	2	2	2	-	-	-	-										
17	12009829	TORNILLO ESPECIAL M5X0.8	Screw special INOX M5X7MM	2	2	2	2	2	2	2	2										
18	12025154	ARBOL LAVADO 400	WASHING TREE 400	1	1	1	1	1	1	1	1										
19	12009986	ABRAZADERA 32-50L	Worm clamp 32-50mmL W2	2	2	2	2	2	2	2	2										
20	12023590	SOPORTE DISTRIBUIDOR SUPERIOR	Upper Feedthrough GW	1	1	1	1	1	1	1	1										
21	12010079	JUNTA TOR.50.17X60.83X5.3	O-RING 50,17x60,83x5,33	1	1	1	1	1	1	1	1										
22	12023732	TOBERA LAVADO	Washing Nozzle	12	12	12	12	12	12	12	12										
23	12022382	RAMA LAVADO B 400 INOX.	WASHING BRANCH B 400 SS	-	-	-	-	2	2	2	2										
23	12126198	RAMA LAVADO PLÁSTICO B 400	PLASTIC WASHING BRANCH B 400	2	2	2	2	-	-	-	-										
24	12023710	ENGANCHE TOBERA LAVADO	WASHING NOZZLE HOLDER	12	12	12	12	12	12	12	12										
25	12022710	RAMA ACLARADO B 400 INOX.	SS RINSING BRANCH B 400	-	-	-	-	2	2	2	2										
25	12023525	RAMA ACLARADO B 400	PLASTIC RINSING BRANCH B 400	2	2	2	2	-	-	-	-										

ZONA / ZONE	PARTE FUNCIONAL LAVADO / WASHING FUNCTIONAL PART	LAMINA / DRAWING	GW_002
-------------	--	------------------	--------

ITEM	REFERENCIA REFERENCE	DENOMINACIÓN	DENOMINATION	G-OEM-400	G-OEM-400 B	G-OEM-400 DD	G-OEM-400 B DD	G-OEM-400 SA	G-OEM-400 B SA	G-OEM-400 DD SA	G-OEM-400 B DD SA										RECOMMENDED	ELIMINADO ELIMINATED	INTRODUCIDO INTRODUCED	NOTAS NOTES	
26	12024252	TOBERA ACLARADO INOX.	SS RINSING NOZZLE	-	-	-	-	10	10	10	10														
26	12024077	TOBERA ACLARADO PLASTICO	PLASTIC RINSING NOZZLE	10	10	10	10	-	-	-	-														
27	12009912	JUNTA TOR. 5.28X8.84X1.78	O-RING 5,28x8,84x1,78	10	10	10	10	-	-	-	-														
28	12024006	ENGANCHE TOBERA ACLARADO	RINSE NOZZLE HOLDER	10	10	10	10	-	-	-	-														
	12182946	SET DISPENSADOR DETERGENTE LVS	GW DETERGENT DISPENSER SER	-	-	-	1	-	-	-	-														
29	12024531	PASAMUROS DETERGENTE	Detergent Feedthrough	-	-	-	1	1	1	1	1														
30	12140258	SOPORTE DOSIFICADOR	DISPENSER HOLDER	-	-	-	1	1	1	1	1														
31	12133011	DOSIFICADOR DE DETERGENTE	DETERGENT DISPENSER	-	-	-	1	1	1	1	1										X				
32	12024139	CONDUCTO ASPIRACION DET.	DETERGENT ASPIRATION PIPE	-	-	-	1	1	1	1	1														
33	12164632	PESO FILTRO	FILTER WEIGHT	-	-	-	1	1	1	1	1														
34	11000079	CONDUCTO DOSIF. TRANSP 6X4	DET. DISPENSER PIPE 6X4	-	-	-	1	1	1	1	1														



Drawing N.	Signature	Date	Device:	GRAVITY DRAINAGE	Sheet
GW-03	Aitor U	02-2018	GLASSWASHERS GRAND-350 & 400		3

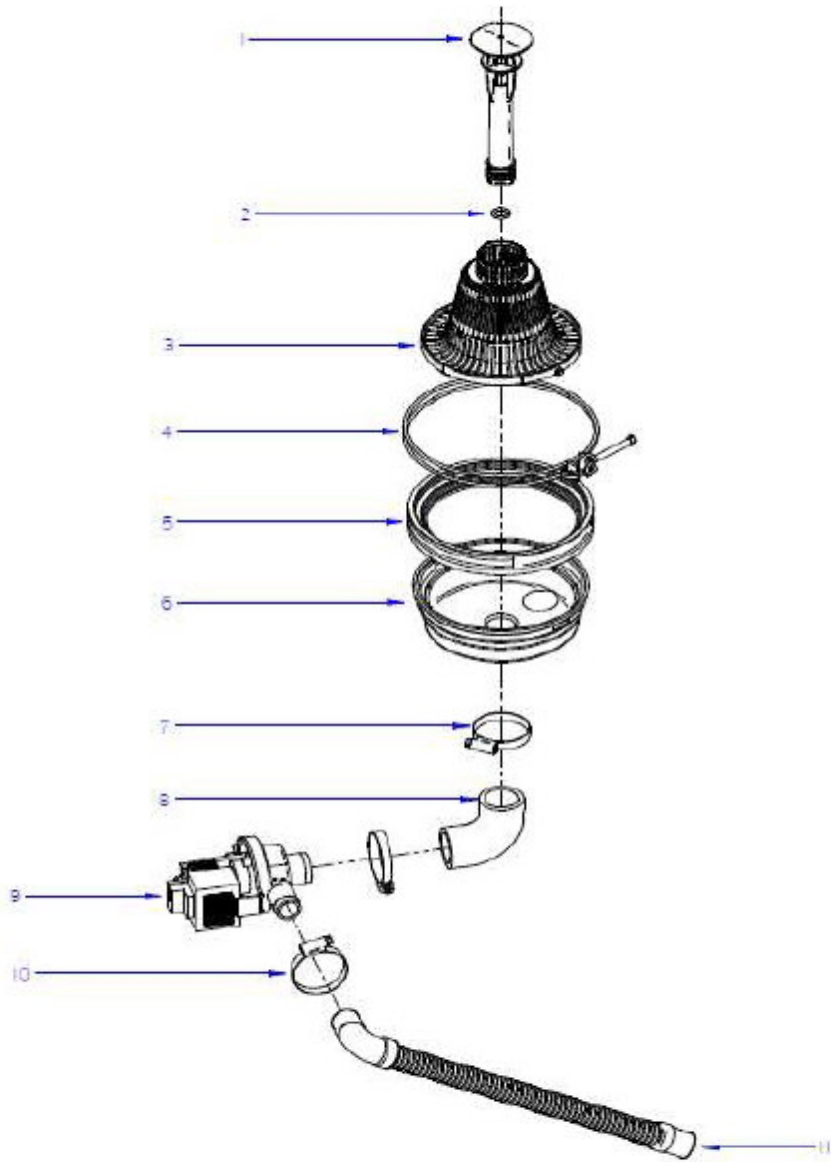
ZONA / ZONE

DESAGÜE POR GRAVEDAD / GRAVITY DRAINAGE

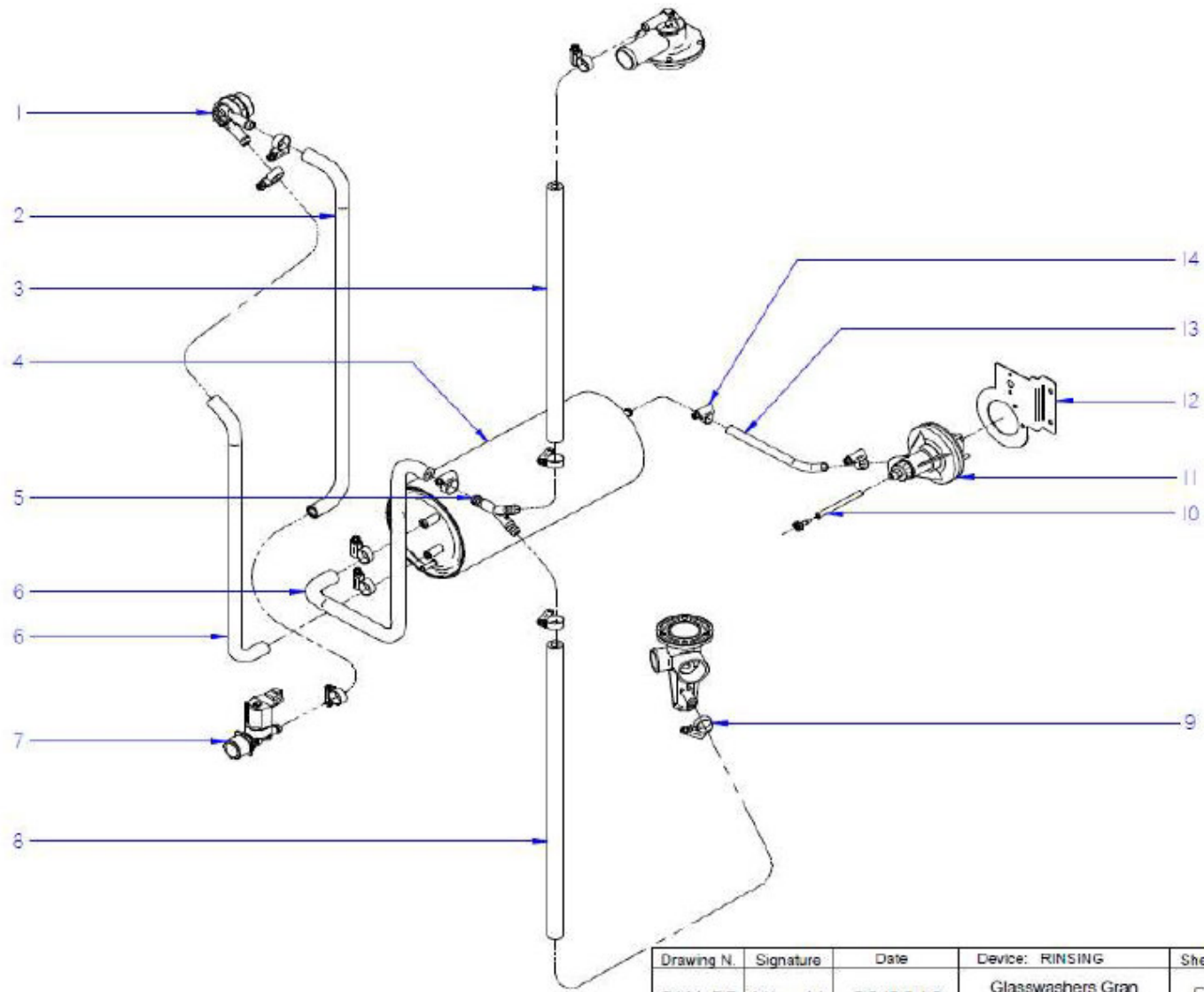
LAMINA / DRAWING

GW_003

ITEM	REFERENCIA REFERENCE	DENOMINACIÓN	DENOMINATION	G-OEM-350	G-OEM-350 DD	G-OEM-350 UK	G-OEM-350 DD UK	G-OEM-350 SA	G-OEM-350 DD SA	G-OEM-350 SA UK	G-OEM-350 DD SA UK					RECOMMENDED	ELIMINADO ELIMINATED	INTRODUCIDO INTRODUCED	NOTAS NOTES
1	12092017	ALIVIADERO_LVS	DRAIN PLUG DW	1	1	1	1	1	1	1	1								
2	12010282	JUNTA TORIC 25.4X20.2X2.6	O-RING 25,4x20,2x2,6	1	1	1	1	1	1	1	1								
3	12092003	FILTRO CUBA LVS	DRAIN BOWL FILTER	1	1	1	1	1	1	1	1								
4	12025195	ABRAZADERA CUBETA COMPLETA	DRAIN BOWL CLAMP	1	1	1	1	1	1	1	1								
5	12024113	JUNTA CUBETA	DRAIN BOWL GASKET	1	1	1	1	1	1	1	1								
6	12023617	CUBETA	DRAIN BOWL	1	1	1	1	1	1	1	1								
7	12009972	ABRAZADERA ELAST.37.7-39.7	ROD CLAMP37,7-39,7 drain bowl	1	1	1	1	1	1	1	1								
8	12024114	MANGUERA DESAGÜE	DRAINING PIPE	1	1	1	1	1	1	1	1								



drawing n.	signature	date	device	DRAINAGE BY PUMP	pages / sheets
GW-04	Aitor U	02-2018	GLASSWASHERS GRAND 350 & 400		4



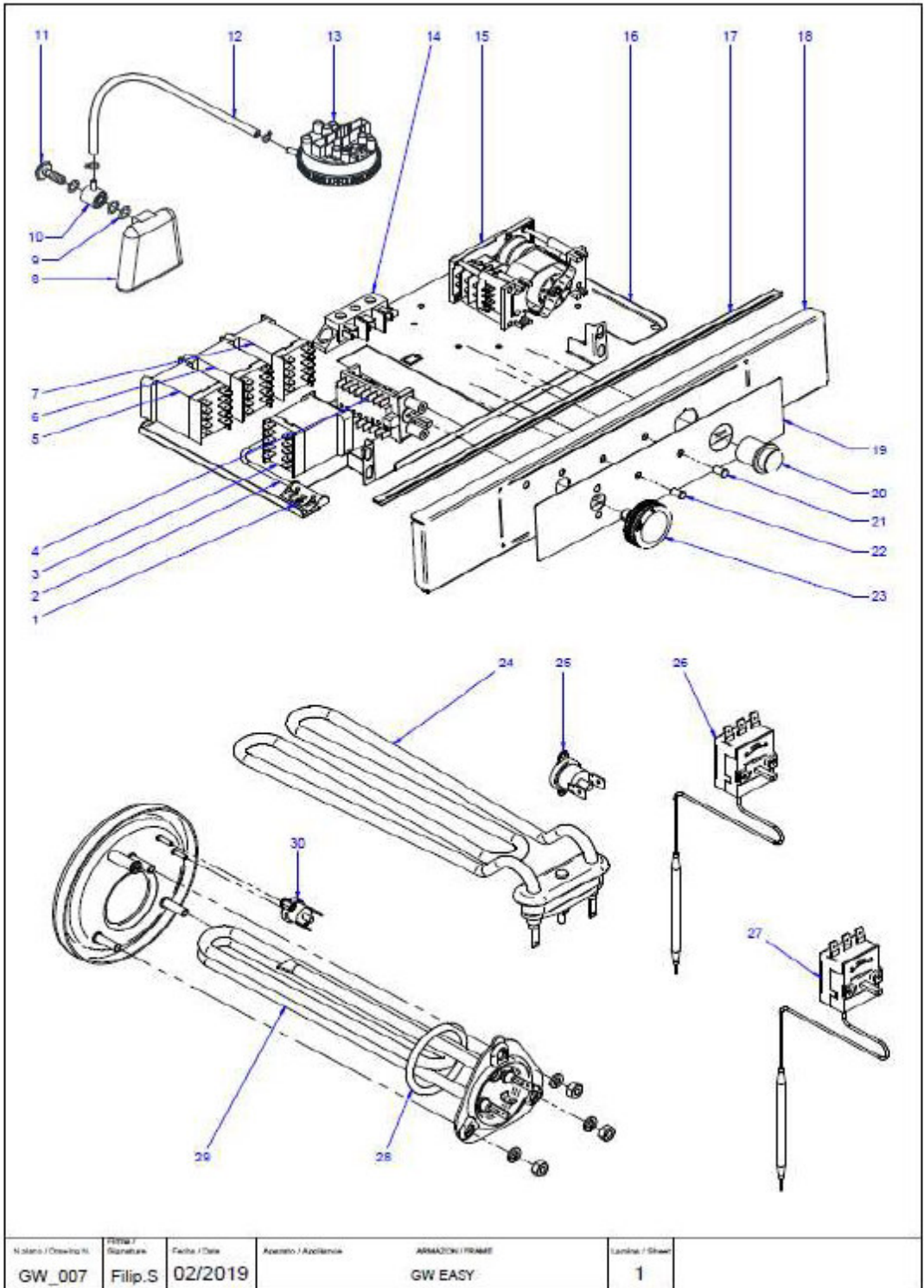
Drawing N.	Signature	Date	Device: RINSING	Sheet
GW-05	Aitor U.	02/2018	Glasswashers Gran 350&400	5.

ZONA / ZONE	PARTE FUNCIONAL ACLARADO / RINSE FUNCTIONAL PART
-------------	--

LÁMINA / DRAWING	GW_005
------------------	--------

ITEM	REFERENCIA REFERENCE	DENOMINACIÓN	DENOMINATION	G-OEM-350	G-OEM-350 B	G-OEM-350 DD	G-OEM-350 B DD	G-OEM-350 UK	G-OEM-350 B UK	G-OEM-350 DD UK	G-OEM-350 B DD UK						RECOMMENDED	ELIMINADO ELIMINATED	INTRODUCIDO INTRODUCED	NOTAS NOTES	
1	12024568	VALVULA ANTIRRETORNO	NON-RETURN VALVE	1	1	1	1	1	1	1	1										
2	12093330	CONDUCTO EV-ANTIRRETORNO	EV - NON-RETURN VALVE HOSE	1	1	1	1	1	1	1	1										
3	12149964	CONDUCTO ACLARADO SUPERIOR	UPPER RINSE ARM HOSE	1	1	1	1	1	1	1	1										
4	12139525	CALDERIN LVS	GW BOILER	1	1	1	1	1	1	1	1										
5	12023511	RACORD Y	Y FITTING	1	1	1	1	1	1	1	1										
6	12093329	CONDUCTO CALDERIN RACORD	BOILER FITTING PIPE	2	2	2	2	2	2	2	2										
7	12025161	ELECTROVALVULA 1 VIA	1 WAY ELECTROVALVE	1	1	1	1	1	1	1	1						X				
8	12149967	CONDUCTO ACLARADO INFERIOR	LOWER RINSE ARM HOSE	1	1	1	1	1	1	1	1										
9	12010036	ABRAZADERA 12-20	12-20 CLAMP	10	10	10	10	10	10	10	10										
10	12024139	CONDUCTO ASPIRACION DET.	DETERGENT ASPIRATION PIPE	1	1	1	1	1	1	1	1										
11	12133010	DOSIFICADOR ABRILLANTADOR	RINSE AID DISPENSER	1	1	1	1	1	1	1	1						X				
12	12139530	SOPORTE DOSIFICADOR	DISPENSER HOLDER GW-350	1	1	1	1	1	1	1	1										
13	12149969	CONDUCTO DOSIFICAROD CALDERIN	DISPENSER-BOILER HOSE	1	1	1	1	1	1	1	1										
14	12010047	ABRAZADERA 8-14	8-14 CLAMP	2	2	2	2	2	2	2	2										

ITEM	REFERENCIA REFERENCE	DENOMINACIÓN	DENOMINATION	G-OEM-400	G-OEM-400 B	G-OEM-400 DD	G-OEM-400 B DD	G-OEM-400 UK	G-OEM-400 B UK	G-OEM-400 DD UK	G-OEM-400 B DD UK						RECOMMENDED	ELIMINADO ELIMINATED	INTRODUCIDO INTRODUCED	NOTAS NOTES	
1	12024568	VALVULA ANTIRRETORNO	NON-RETURN VALVE	1	1	1	1	1	1	1	1										
2	12093403	CONDUCTO EV-ANTIRRETORNO	EV - NON-RETURN VALVE HOSE	2	2	2	2	2	2	2	2										
3	12149966	CONDUCTO ACLARADO SUPERIOR	UPPER RINSE ARM HOSE	1	1	1	1	1	1	1	1										
4	12139525	CALDERIN LVS	GW BOILER	1	1	1	1	1	1	1	1										
5	12024192	RACORD EN CRUZ	CROSS FITTING	1	1	1	1	1	1	1	1										
6	12093402	CONDUCTO CALDERIN RACORD	BOILER FITTING PIPE	2	2	2	2	2	2	2	2										
7	12023794	ELECTROVALVULA DOBLE	2 WAY ELECTROVALVE	1	1	1	1	1	1	1	1						X				
8	12149968	CONDUCTO ACLARADO INFERIOR	LOWER RINSE ARM HOSE	1	1	1	1	1	1	1	1										
9	12010036	ABRAZADERA 12-20	12-20 CLAMP	12	12	12	12	12	12	12	12										
10	12024139	CONDUCTO ASPIRACION DET.	DETERGENT ASPIRATION PIPE	1	1	1	1	1	1	1	1										
11	12133010	DOSIFICADOR ABRILLANTADOR	RINSE AID DISPENSER	1	1	1	1	1	1	1	1						X				
12	12139530	SOPORTE DOSIFICADOR	DISPENSER HOLDER GW-350	1	1	1	1	1	1	1	1										
13	12149969	CONDUCTO DOSIFICAROD CALDERIN	DISPENSER-BOILER HOSE	1	1	1	1	1	1	1	1										
14	12010047	ABRAZADERA 8-14	8-14 CLAMP	2	2	2	2	2	2	2	2										



Modelo / Descrição N.	Projeto / Assinatura	Ficha / Data	Aplicação / Aplicação	ARMAZEM / TRABALHO	Código / Sheet
GW_007	Filip.S	02/2019		GW EASY	1

ZONA / ZONE	PARTE FUNCIONAL ELECTRICA/ ELECTRIC FUNCTIONAL PART
-------------	---

LÁMINA / DRAWING	GW_007
------------------	--------

ITEM	REFERENCIA REFERENCE	DENOMINACIÓN	DENOMINATION	G-OEM-350	G-OEM-350 B	G-OEM-350 DD	G-OEM-350 B DD	G-OEM-350 UK	G-OEM-350 B UK	G-OEM-350 DD UK	G-OEM-350 B DD UK						RECOMMENDED	ELIMINADO ELIMINATED	INTRODUCIDO INTRODUCED	NOTAS NOTES
1	12024477	INTERRUPTOR MAGNETICO	MAGNETIC SWITCH	1	1	1	1	1	1	1	1									
2	12024066	AMARRE INTERRUPT. MAGNETICO	MAGNETIC SWITCH FASTENER	1	1	1	1	1	1	1	1									
3	12023706	RELE 230V. 16A 50-60 HZ	RELAY 230V. 16A 50-60 HZ	1	1	1	1	1	1	1	1						X			
4	12024445	CONMUTADOR DE FUNCIONES	FUNCTIONS SWITCH	1	1	1	1	1	1	1	1									
S/Nº	12024067	CASQUILLO	BUSHING	2	2	2	2	2	2	2	2									
5	12023706	RELE 230V. 16A 50-60 HZ	RELAY 230V. 16A 50-60 HZ	1	1	1	1	1	1	1	2						X			
6	12024011	CONTACTOR 230 V. 50-60 HZ 16A	CONTACTOR 230 V 50-60HZ 16A	1	1	1	1	1	1	1	1						X			
7	12024011	CONTACTOR 230 V. 50-60 HZ 16A	CONTACTOR 230 V 50-60HZ 16A	1	1	1	1	1	1	1	1						X			
8	12024350	CAMARA PRESOSTATO	PRESSURE SWITCH	1	1	1	1	1	1	1	1									
9	12009873	JUNTA TORICA 16.01X10.77X2.62	O-RING 16.01X10.77X2.62	2	2	2	2	2	2	2	2									
10	12024157	EMPALME PRESOSTATO	PRESSURE SWITCH CONNEX	1	1	1	1	1	1	1	1									
11	12024222	TORNILLO PRESOSTATO	PRESSURE SWITCH BOLT	1	1	1	1	1	1	1	1									
12	12149970	CONDUCTO PRESOSTATO	PRESOSTAT HOSE	1	1	1	1	1	1	1	1									
S/Nº	12023707	BRIDA ELASTICA TUBO	ELASTIC PIPE FLANGE	2	2	2	2	2	2	2	2									
13	12023803	PRESOSTATO SIMPLE 1.3-2.8 bar	1.3-2.8 bar SIMPLE PRESOSTAT	1	1	1	1	1	1	1	1						X			
14	12024382	REGLETA AUXILIAR 3 CONEXIONES	3 WAY ELECTRIC CONNECTOR	1	1	1	1	1	1	1	1									
15	12024873	PROGRAMADOR CICLO 50Hz	CYCLE PROGRAMMER 50Hz	1	1	1	1	1	1	1	1						X			
15	12024871	PROGRAMADOR CICLO 60Hz	CYCLE PROGRAMMER 60 Hz	1	1	1	1	1	1	1	1						X			
16	12223609	BASE COMPONENTES ELÉCTRICOS	ELECTRIC COMPONENT BASE	1	1	1	1	1	1	1	1									
17	12169876	BURLETE SELLADO TAPA 350	UC-350 LID SEALING PROFILE	1	1	1	1	1	1	1	1									
18	12188982	PANEL DE CONTROL	CONTROL PANEL	1	1	1	1	1	1	1	1									
19	*	EMBELLECEDOR G-OEM 350	G-OEM-350 STICKER	1	1	1	1	1	1	1	1									Check Optionals
20	12169232	PULSADOR ARRANQUE PROGRAM.	PROGRAM START BUTTON	1	1	1	1	1	1	1	1						X			
21	12169231	PILOTO LED VERDE	GREEN LED LIGHT	1	1	1	1	1	1	1	1						X			
22	12169230	PILOTO LED AZUL	BLUE LED LIGHT	1	1	1	1	1	1	1	1						X			
23	12168175	BOTON DE MANDO G-OEM 500	G-OEM-500 CONTROL KNOB	1	-	1	-	1	-	1	-									
23	12170488	BOTON DE MANDO G-OEM-500 B	G-OEM-500 B KNOB	-	1	-	1	-	1	-	1									
S/Nº	12024516	BURLETE MANDO	SWITCH JOINT	1	1	1	1	1	1	1	1									
24	12090524	RESISTENCIA CUBA 2 kW	TANK HEATER 2 kW	1	1	1	1	1	1	1	1						X			
25	12090518	TERMOSTATO LIMITADOR CUBA	TANK SECURITY THERMOSTAT	1	1	1	1	1	1	1	1						X			

ZONA / ZONE	PARTE FUNCIONAL ELECTRICA/ ELECTRIC FUNCTIONAL PART
-------------	---

LÁMINA / DRAWING	GW_007
------------------	--------

ITEM	REFERENCIA REFERENCE	DENOMINACIÓN	DENOMINATION	G-OEM-400	G-OEM-400 B	G-OEM-400 DD	G-OEM-400 B DD	G-OEM-400 UK	G-OEM-400 B UK	G-OEM-400 DD UK	G-OEM-400 B DD UK						RECOMMENDED	ELIMINADO ELIMINATED	INTRODUCIDO INTRODUCED	NOTAS NOTES
1	12024477	INTERRUPTOR MAGNETICO	MAGNETIC SWITCH	1	1	1	1	1	1	1	1									
2	12024066	AMARRE INTERRUPT. MAGNETICO	MAGNETIC SWITCH FASTENER	1	1	1	1	1	1	1	1									
3	12023706	RELE 230V. 16A 50-60 HZ	RELAY 230V. 16A 50-60 HZ	1	1	1	1	1	1	1	1									
4	12024445	CONMUTADOR DE FUNCIONES	FUNCTIONS SWITCH	1	1	1	1	1	1	1	1									
S/Nº	12024067	CASQUILLO	BUSHING	2	2	2	2	2	2	2	2						X			
5	12023706	RELE 230V. 16A 50-60 HZ	RELAY 230V. 16A 50-60 HZ	1	1	1	1	1	1	1	2						X			
6	12024011	CONTACTOR 230 V. 50-60 HZ 16A	CONTACTOR 230 V 50-60HZ 16A	1	1	1	1	1	1	1	1						X			
7	12024011	CONTACTOR 230 V. 50-60 HZ 16A	CONTACTOR 230 V 50-60HZ 16A	1	1	1	1	1	1	1	1						X			
8	12024350	CAMARA PRESOSTATO	PRESSURE SWITCH	1	1	1	1	1	1	1	1									
9	12009873	JUNTA TORICA 16.01X10.77X2.62	O-RING 16.01X10.77X2.62	2	2	2	2	2	2	2	2									
10	12024157	EMPALME PRESOSTATO	PRESSURE SWITCH CONNEX	1	1	1	1	1	1	1	1									
11	12024222	TORNILLO PRESOSTATO	PRESSURE SWITCH BOLT	1	1	1	1	1	1	1	1									
12	12149970	CONDUCTO PRESOSTATO	PRESOSTAT HOSE	1	1	1	1	1	1	1	1									
S/Nº	12023707	BRIDA ELASTICA TUBO	ELASTIC PIPE FLANGE	2	2	2	2	2	2	2	2									
13	12023803	PRESOSTATO SIMPLE 1.3-2.8 bar	1.3-2.8 bar SIMPLE PRESOSTAT	1	1	1	1	1	1	1	1						X			
14	12024382	REGLETA AUXILIAR 3 CONEXIONES	3 WAY ELECTRIC CONNECTOR	1	1	1	1	1	1	1	1									
15	12024873	PROGRAMADOR CICLO 50Hz	CYCLE PROGRAMMER 50Hz	1	1	1	1	1	1	1	1						X			
15	12024871	PROGRAMADOR CICLO 60Hz	CYCLE PROGRAMMER 60 Hz	1	1	1	1	1	1	1	1						X			
16	12223608	BASE COMPONENTES ELÉCTRICOS	ELECTRIC COMPONENT BASE	1	1	1	1	1	1	1	1									
17	12169877	BURLETE SELLADO TAPA 400	UC-400 LID SEALING PROFILE	1	1	1	1	1	1	1	1									
18	12187948	PANEL DE CONTROL 400	CONTROL PANEL 400	1	1	1	1	1	1	1	1									
19	*	EMBELLECEDOR G-OEM 350	G-OEM-350 STICKER	1	1	1	1	1	1	1	1									Check Optionals
20	12169232	PULSADOR ARRANQUE PROGRAM.	PROGRAM START BUTTON	1	1	1	1	1	1	1	1						X			
21	12169231	PILOTO LED VERDE	GREEN LED LIGHT	1	1	1	1	1	1	1	1						X			
22	12169230	PILOTO LED AZUL	BLUE LED LIGHT	1	1	1	1	1	1	1	1						X			
23	12170486	BOTON DE MANDO G-OEM 400	G-OEM-400 CONTROL KNOB	1	_	1	_	1	_	1	_									
23	12170487	BOTON DE MANDO G-OEM-400 B	G-OEM-400 B KNOB	_	1	_	1	_	1	_	1									
S/Nº	12024516	BURLETE MANDO	SWITCH JOINT	1	1	1	1	1	1	1	1									
24	12090524	RESISTENCIA CUBA 2 kW	TANK HEATER 2 kW	1	1	1	1	1	1	1	1						X			
25	12096597	TERMOSTATO LIMITADOR CUBA	TANK SECURITY THERMOSTAT	1	1	1	1	1	1	1	1						X			

ZONA / ZONE	VARIOS / MISCELLANEOUS
-------------	------------------------

LÁMINA / DRAWING

ITEM	REFERENCIA REFERENCE	DENOMINACIÓN	DENOMINATION	G-OEM-350 (B DD SA)	G-OEM-400 (B DD SA)	G-OEM-350 (B DD SA) UK	G-OEM-400 (B DD SA) UK											RECOMMENDED	ELIMINADO ELIMINATED	INTRODUCIDO INTRODUCED	NOTAS NOTES
	12218976	FOLLETO INSTRUCCIÓN G-OEM	MANUAL INSTRUCTION G-OEM	1	1	1	1														
	12130648	ESQUEMA TEÓRICO LVS EASY	EASY GW THEORETICAL DIAGRAM	1	1	1	1														
	12136918	LVS ESQUEMA MONTAJE	GW ASSEMBLY DIAGRAM	1	1	1	1														
	12024183	CABLEADO TIERRA BOMBA LAVADO	PUMP EARTH WIRING	1	1	1	1														
	12134328	INSTALACION ELECTRICA LVS EASY	EASY GW WIRING SYSTEM	1	1	1	1														
	12023746	CABLE DE ALIMENTACION EU	EU POWER CORD	1	1	1	1														
	12025112	CABLE DE ALIMENTACION UK	UK POWER CORD	-	-	1	1														
	12136692	CONDENSADOR 33 μF	33 μF CONDENSADER	2	2	2	2														
	12160496	CABLE ADAPTADOR LEDS	LED ADAPTER WIRE	2	2	2	2														