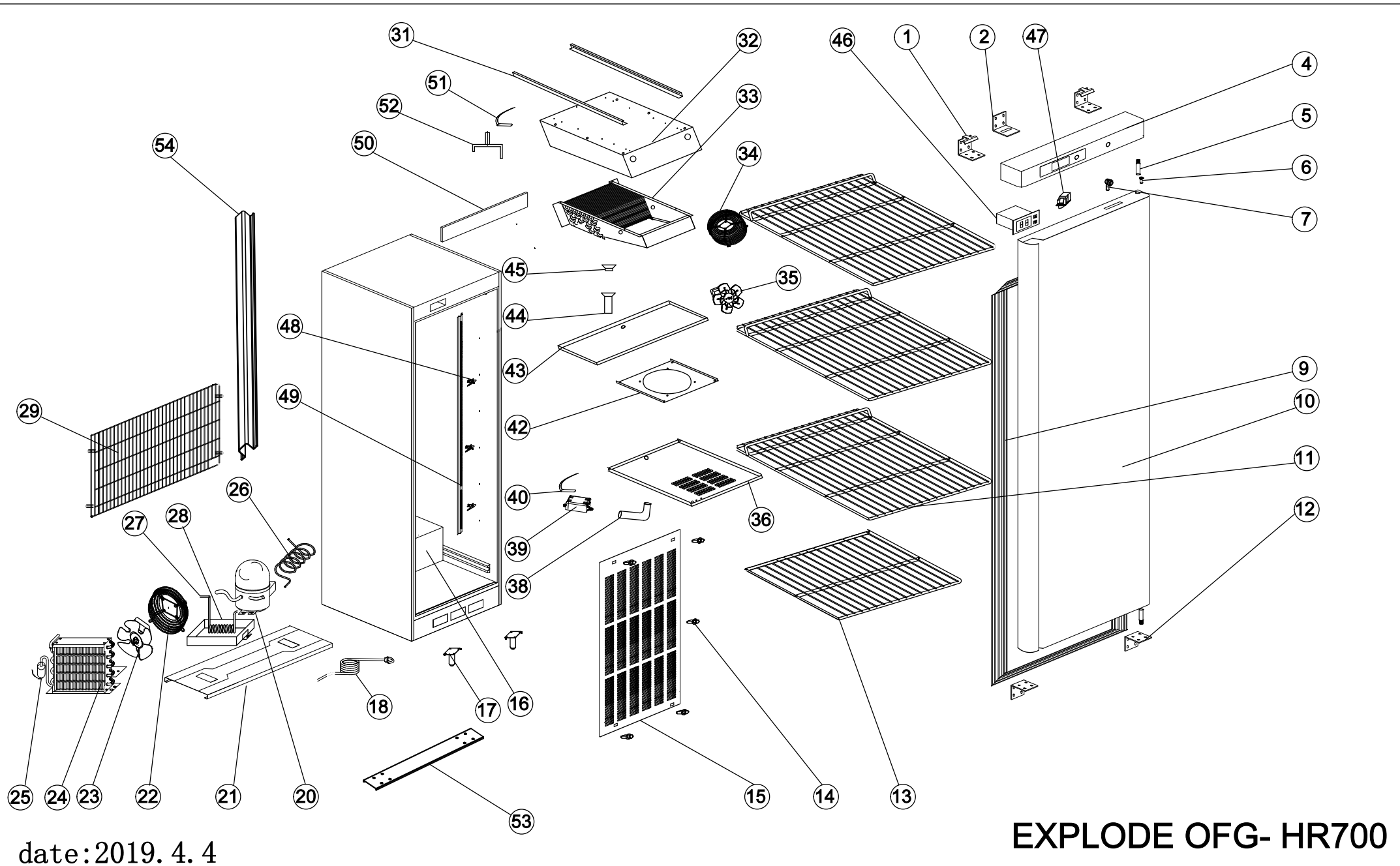


# EXPLOSIONSZEICHNUNG



KBS Gastrotechnik GmbH – Schoßbergstraße 26 – 65201 Wiesbaden



date:2019. 4. 4

EXPLODE OFG- HR700

SPARE PARTS LIST - KBS 702 U

NO	NAME	NEW CODE	QTY
1	UP HINGE	110110034	2PCS
2	HOOK OF LOCK	5202001664	1PC
4	FRONT PANEL	108130001	1PC
5	HINGE AXIS	107110010	2PCS
6	BUSHING	108300029	1PC
7	LOCK	107130008	1PC
9	GASKET	108270287	1PC
10	DOOR	5107000356	1PC
11	SHELF	109020132	3PCS
12	DOWN HINGE	110110046	2PCS
13	BOTTOM SHELF	109020114	1PC
14	EVAPORATOR FIXER	108300130	5PCS
15	AIR FLOW CONDUCT BOARD	5202004571	1PC
16	BODY	5102000543	1PC
17	feet	107060005	4PCS
18	PLUG	104050002	1PC
20	COMPRESSOR	104010100	1PC
21	UNITE BOARD	5202001661	1PC
22	BASKET GUARD GRILLES	108110342	1PC
23	CONDENSER FAN	104030020	1PC
		104040004	1PC
24	CONDENSER	5111000020	1PC
25	FILTER DRIER	107180004	1PC
26	Suction Pipe	113100621	1PC
27	EVAPORATE PIPE	113110106	1PC
28	WATER BOX	5114000739	1PC
29	UNITE ROOM GRILLS	109030054	1PC
31	EVAPORATOR FIXED BOARD SUPPORT	5202001671	1PAIR

32	FIXED BOARD OF EVAPORATOR	5202001590	1PC
33	EVAPORATOR	5112000521	1PC
34	WALL RING	109030032	1PC
35	EVAPORATOR FAN	104030020	1PC
		104040004	
36	EVAPORATOR FAN COVER	5202001591	1PC
38	WATER PIPE	114010033	1PC
39	SENSOR FIXED box	108110314	1PC
40	SENSOR	104020096	1PC
40	SENSOR	104020099	1PC
42	EVAPORATOR FAN SUPPORT	5202001670	1PC
43	EVAPORATOR WATER PAN	5202001593	1PC
44	INTERNAL WATER PIPE NUT	108110009	1PC
45	OUTSIDE WATER PIPE BOLT	108110136	1PC
46	THERMOSTAT	104020010	1PC
47	DOOR SWITCH	104090007	1PC
48	SHELF CLIP	107090002	12PCS
49	SUPPORT	103010025	4PCS
50	Inside Panel	5202004572	1PC
51	SENSOR	104020094	1PC
51	SENSOR	104020095	1PC
52	Sensor Fixed Clip	108300217	1PC
53	Front Support of feet	5202001666	1PC
54	OUTSIDE COVER	108030423	1PC