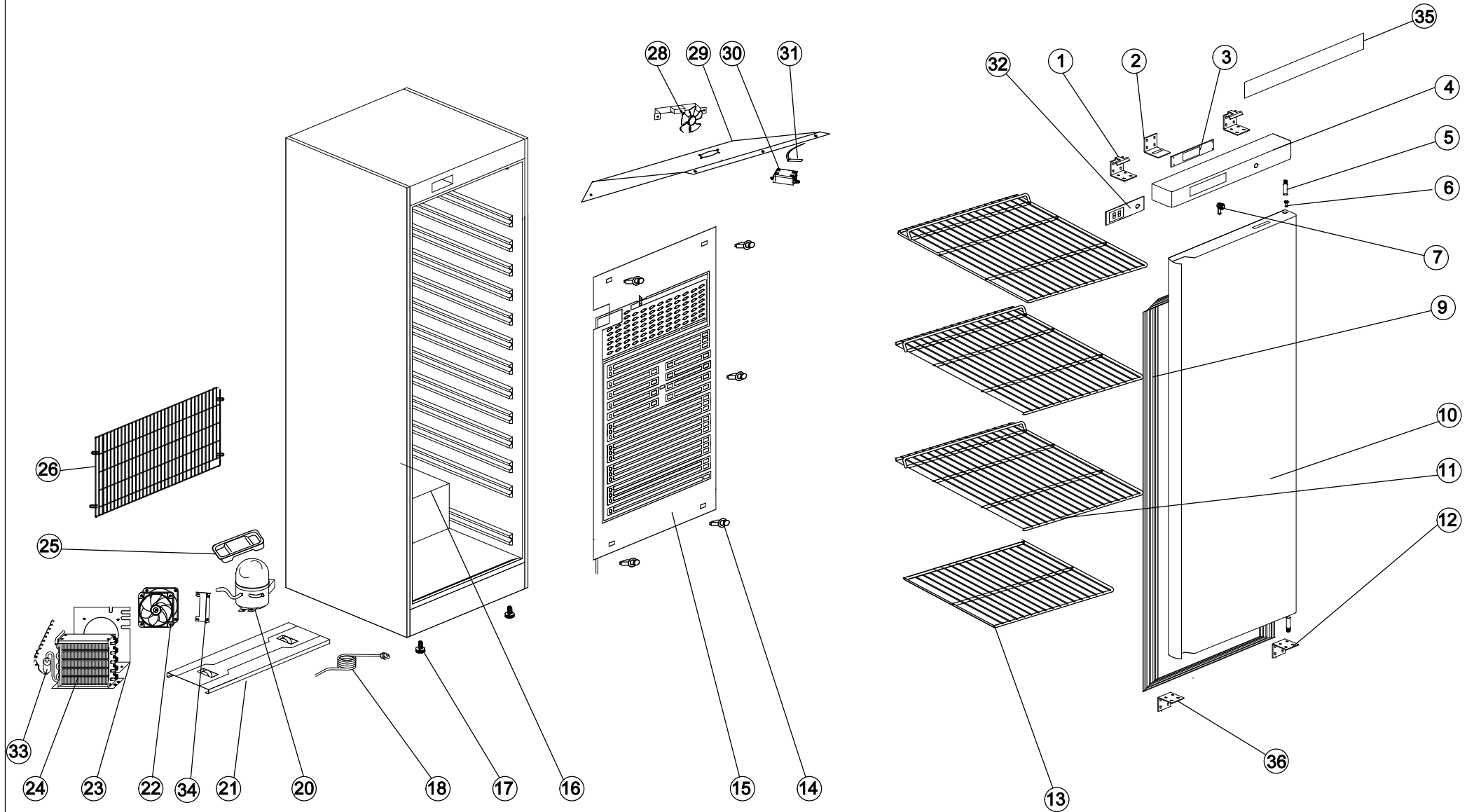


EXPLOSIONSZEICHNUNG



KBS Gastrotechnik GmbH – Schoßbergstraße 26 – 65201 Wiesbaden

EXPLODE OF G-HR600



SPARE PARTS KBS 602 U

NO	CODE	NAME	CODE	QTY
1	HF600.01	UP HINGE	110110036	2PCS
2	HF600.02	HOOK OF LOCK	110110044	1PC
3	HF600.09A	THERMOSTAT SUPPORT	108130004	1PC
4	HF600.04S	FRONT PANEL	108130013	1PC
5	HF600.19	HINGE AXIS	107110010	2PCS
6	GN2100TN.07	BUSHING	108300029	2PCS
7	HR200.86	LOCK	107130008	1PC
9	HF600.06	GASKET	108270287	1PC
10	HF600.07S	DOOR	5107000374	1PC
11	HR600.02A	SHELF	109020204	3PCS
12	HF600.08	DOWN HINGE	110110049	1PC
13	HR600.02B	BOTTOM SHELF	109020101	1PC
14	HR600.06	EVAPORATOR FIXER	108300130	5PCS
15	HR600.04	EVAPORATOR	113040006	1PC
16	HR600.05S	BODY	5102000553	1PC
17	S900.13	FEET	108300183	2PCS
18	S900.47	PLUG	104050031	1PC
20	G-S903.01	COMPRESSOR	104010100	1PC
21	HF600.12	UNITE BOARD	5202001697	1PC
21			108300144	2PCS
21			107110009	2PCS
22	S900.34	CONDENSER FAN	104030036	1PC
23	HR600.10	CONDENSER FAN SUPPORT	5202001650	1PC
24	HR110.06	CONDENSER	113020067	1PC
25	S900.40A	WATER BOX	108300172	1PC
26	HF600.13	UNITE ROOM GRILLS	109040029	1PC
28	HR200.10	CIRCUIT FAN	104030051	1PC
29	HR600.01	CIRCUIT FAN SUPPORT	5202001698	1PC
30	S900.31	SENSOR FIXED BOX	108110314	1PC
31	S900.32	SENSOR	104020097	1PC
31	S900.32	SENSOR	104020099	1PC
32	S900.02	THERMOSTAT	104020086	1PC
33	HR200.20	FILTER DRIER	107180011	1PC
34		Condenser Fan Fixed Board	5202001651	1PC
35			105030893	1PC
36			108120055	1PC