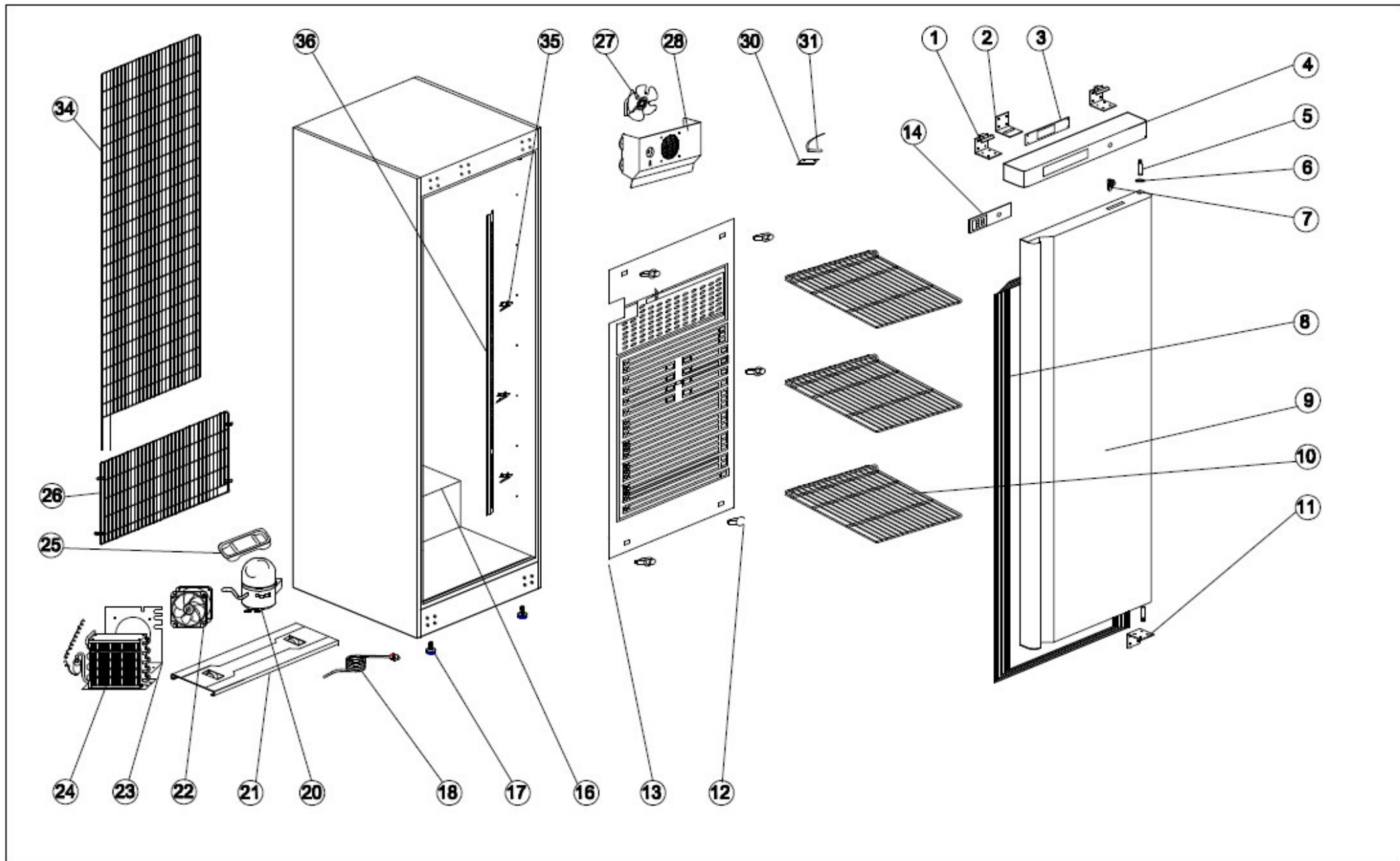


# Explosionszeichnung

Kühlschrank  
KBS 502 U CHR



KBS Gastrotechnik GmbH - Johannes-Kepler-Str. 14 - 55129 Mainz



## SPARE PARTS LIST OF

NO	CODE	NAME	MODEL	QTY
1	HF600.01	UP HINGE		2PCS
2	HF600.02	HOOK OF LOCK		1PC
3	HR600.09	THERMOSTAT SUPPORT		1PC
4	HR500.07	FRONT PANEL		1PC
5	HF600.19	HINGE AXIS	φ7	2PCS
6	GN2100TN.07	BUSHING		1PC
7	GN650TN.86	LOCK		1PC
8	HR500.01	GASKET		1PC
9	HR500.02	DOOR		1PC
10	HR500.03	SHELF		3PCS
11	HF600.08	DOWN HINGE		1PC
12	HR600.06	EVAPORATOR FIXER		5PCS
13	HR600.04	EVAPORATOR		1PC
14	HR600.07	THERMOSTAT	LTC-20HT	1PC
16	HR500.04	BODY		1PC
17	S900.13	FEET		2PCS
18	S900.47	PLUG		1PC
20	G-S903.01	COMPRESSOR	HPKD190A	1PC
21	HR500.05	UNITE BOARD		1PC
22	S900.34	CONDENSER FAN	SA1238A2	1PC
23	HR600.10	CONDENSER FAN SUPPORT		1PC
24	HR110.06	CONDENSER		1PC
25	S900.40	WATER PAN		1PC
26	HR500.08	UNITE ROOM GRILLS		1PC
27	SC268M.01	FAN		1PC
28	SC188.08	FAN SUPPORT		1PC
30	S900.31	SENSOR FIXED CLIP		1PC
31	S900.32	SENSOR		1PC
34	HF500.09	BACK CONDENSER		1PC
35	G350.08	SHELF CLIP		12PCS
36	HR500.06	SUPPORT		4PCS