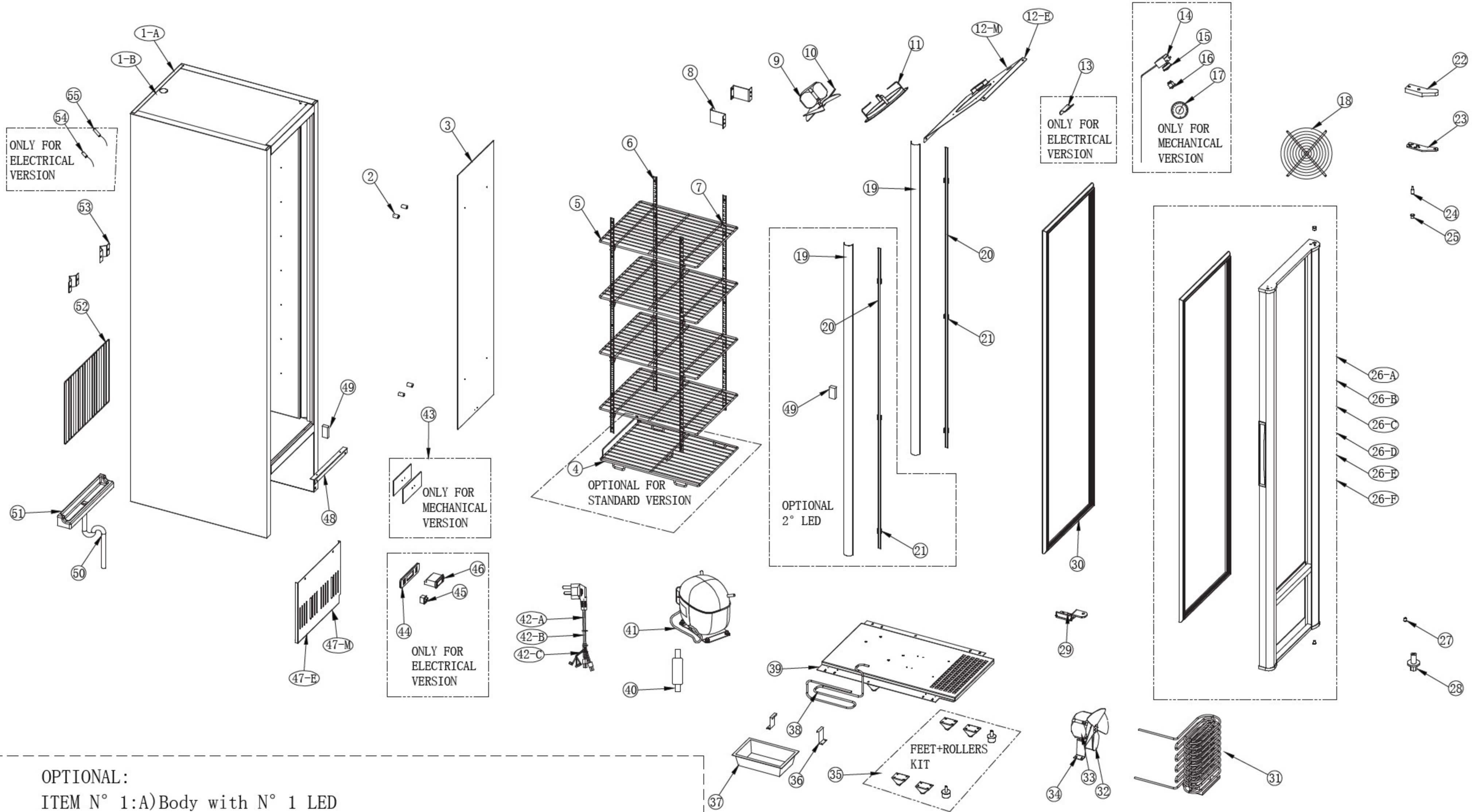


# Explosionszeichnung

## Getränkekühlschrank KBS 326 G





**OPTIONAL:**

ITEM N° 1:A)Body with N° 1 LED  
 B)Body with N° 2 LED

ITEM N° 25:A)Standard assembled door Aluminium Frame  
 B)Assembled glass door N° 1 GLASS LOW-E Aluminium Frame  
 C)Assembled glass door N° 2 GLASS LOW-E Aluminium Frame  
 D)Standard assembled door Plastic Frame  
 E)Assembled glass door N° 1 GLASS LOW-E Plastic Frame  
 F)Assembled glass door N° 2 GLASS LOW-E Plastic Frame

ITEM N° 1/3/4/5/12/16/21/25/44/48/49:White or black color

Lev. 0	Item Number	Descr	Quantity
	EV6AB3A22900	RC 300 Series - EXPLODED VIEW DRAWING (Ver.A2 - S29)	1 pc
1A	I06AB30AB001	RC 300B-ASSEMBLED BODY (Black color - 1° Light)	1 pc
1B	I06AB30AB033	RC 300B-ASSEMBLED BODY (Black color - 2° Light)	1 pc
2	R06AB30A0029	RC 300-EVAPORATOR BLACK SPACER	4 pc
3	C06AB37AB001	RC 300B-EVAPORATOR ROLL BOND + CAPILLARY(Black color)	1 pc
4	S46AB39AB003	RC300B-BOTTOM SHELF 345*450*60 (Black color)	1 pc
5	S46AB39AB004	RC 300B-SHELF 358*446*30 (Black color)	4 pc
6	A06AB39A0001	RC 300/QR 350/CR 350 - NUMBERED RAIL GUIDE	4 pc
7	I06AB39A0002	RC 300/QR 350/CR 350 - SHELF SUPPORT	16 pc
8	Z06AB30A0021	RC 300-SUPPORT FOR EVAPORATOR FAN PANEL	2 pc
9	E17A1A050901	NET3T05ZVN032 ELCO FAN: 230/240V ;50/60Hz	1 pc
10	E181A1723401	EBMPAPTS FAN BLADE D.172mm-34*; 230 M3/h	1 pc
11	Z06AB30A0028	RC 300-EVAPORATOR FAN SUPPORT	1 pc
12M	S36AB30AB026	RC 300BM-EVAPORATOR FAN PLATE (Mech.-Black color)	1 pc
12E	S36AB30AB034	RC 300BE-EVAPORATOR FAN PLATE (Elect.-Black color)	1 pc
13	A06AB30A0036	RC 300-ELECTRONIC PROBE SUPPORT	1 pc
14	E20A001C1R00	K50-Q4113-000 RANCO THERMOSTAT	1 pc
15	P06AB30AB027	RC 300B-PLASTIC KNOB FOR RANCO K50 MECH.THERM. (Black color)	1 pc
16	E2303WH00001	R13-2 LED LAMP SWITCH:TYPE R13-2 250VAC-6A; 125V 10A; WHITE	1 pc
17	E28A01504040	ANALOGIC THERMOMETER - CIRCLE TYPE D.50-RANGE -40~+40C°	1 pc
18	S46AB39AB006	FAN DIAGONAL GUARD GRILLE BLADE d.172mm D.INT=231;D.EXT=240;	1 pc
19	P06AB30A0038	RC 300-TRANSPARENT COVER FOR LED LAMP (L.1449 mm - S29)	1 pc
20	E22AL1140140	LED STRIPES LAMP-12VDC 14W-N°63 HIGH BRIGHT	1 pc
21	S16AB30A0032	RC 300-LED LAMP CLIP	3 pc
22	P06AB32AB015	RC 300B-COVER UPPER DOOR HINGE (Black color)	1 pc
23	Z06AB32A0013	RC 300-UPPER DOOR HINGE	1 pc
24	S16AB32A0014	RC 300-UPPER DOOR HINGE PIVOT (D.10 mm)	1 pc
25	N0I531012000	NOT THREADED CYLINDICAL INSERT 10x12 - UNI9201 - NYLON	1 pc
26A	A06AB32AB001	RC 300B-DOOR SET(BLACK/Inc.Gasket+Handle+Insert - ALUMINIUM)	1 pc
26B	A06AB32AB003	RC 300B-DOOR SET N.1 Low-E(BLACK/Gasket+Handel - ALUMINIUM)	1 pc
26C	A06AB32AB004	RC 300B-DOOR SET N.2 Low-E(BLACK/Gasket+Handel - ALUMINIUM)	1 pc
27	N0I530812000	NOT THREADED CYLINDICAL INSERT 8x12 - UNI9201 - NYLON	1 pc
28	S16AB32A0012	RC 300-BOTTOM DOOR HINGE PIVOT	1 pc
29	Z06AB32A1011	RC 300 - REINFORCED BOTTOM DOOR HINGE (BIG size - A2 -S29)	1 pc
30	R06AB32AB002	RC300B-DOOR GASKET BLACK COLOR;LENGHT=149Cm. WIDTH=41Cm.	1 pc
31	C06AB38A0001	RC 300-CONDENSER	1 pc
32	E181A1723401	EBMPAPTS FAN BLADE D.172mm-34*; 230 M3/h	1 pc
33	E17A1A050901	NET3T05ZVN032 ELCO FAN: 230/240V ;50/60Hz	1 pc
34	Z06AB33A0002	RC 300-SUPPORT FOR CONDENSER FAN	1 pc
35	KITFT6AB3A00	RC 300 Series-FEET KIT(N.2 Adjust.Feet+N.4 Rollers)-S29	2 pc
36	I06AB33A0004	RC 300-PLATE FOR WATER TRAY	2 pc
37	P06AB33A0003	RC 300/QR 350/CR 350 - WATER TRAY	1 pc
38	C06AB36A0002	RC 300-HIGH PRESSURE PIPE	1 pc
39	Z06AB33A0001	RC 300-ENGINE PLATE	1 pc
40	C06AB36A0003	RC 300/BTL Ser./QR 350/CR 350 - DRYER FILTER	1 pc

41	E27B6F1Z0000	HTH12AA COMP.ZEL/ACC R600a-220/240v 50Hz-1/5 HP	1 pc
42A	E25EUB310250	POWER CORD 3x1 mmq - EU PLUG - BLACK COLOR 2,5 Mt.	1 pc
42B	E25UKB310250	POWER CORD 3x1 mmq - UK PLUG - BLACK COLOR 2,5 Mt.	1 pc
42C	E25AUB310250	POWER CORD 3x1 mmq - AUSTRALIAN PLUG - BLACK COLOR 2,5 Mt.	1 pc
43	Z06AB37A0002	RC 300-EVAPORATOR PLATE FOR FIX THE PROBE	1 pc
44	E29D01000001	FA/CX MULTIFUNCTION FRAME ADAPTER FROM L TO CX FORMAT	1 pc
45	E2305YE00001	CXLS-Y MAIN SWITCH: TYPE DIXELL ON-OFF;250Vac/16A ;BLACK BAS	1 pc
46	E20A111C3D00	XR02CX-5R1C1 DIXELL BLULINE THERM.-LIDCGXB5AB (RWD)	1 pc
47M	I06AB31AB032	RC 300B - FRONT PANEL FOR MECHAN.THERM.(Black-WITH HOLE)	1 pc
47E	I06AB31AB003	RC 300B - FRONT PANEL FOR ELECT. THERM.(Black- WITH HOLE)	1 pc
48	Z06AB31A0002	RC 300-HORIZONTAL SUPPORT FOR FRONT PANEL	1 pc
49	E26A10120250	AC/DC ADAPTER MOD.ZF120A-1202000	1 pc
50	P06AB30A0024	RC 300/QR 350/CR 350 - RUBBER WATER TRAY PIPE	1 pc
51	P06AB30AB023	RC 300B-EVAPORATOR WATER TRAY (Black Color)	1 pc
52	S46AB39AB005	RC 300B-BACKGROUND ENGINE ROOM GRID (Black Color)	1 pc
53	S16AB30A0025	RC 300/QR 350/RC 350 - REAR ANTI-COLLISION SPACER	2 pc
54	E21010150001	NTC PROBE - CABLE 1500 mm	1 pc
55	E21010300001	NTC PROBE - CABLE 3000 mm	1 pc