

# EXPLOSIONSZEICHNUNG



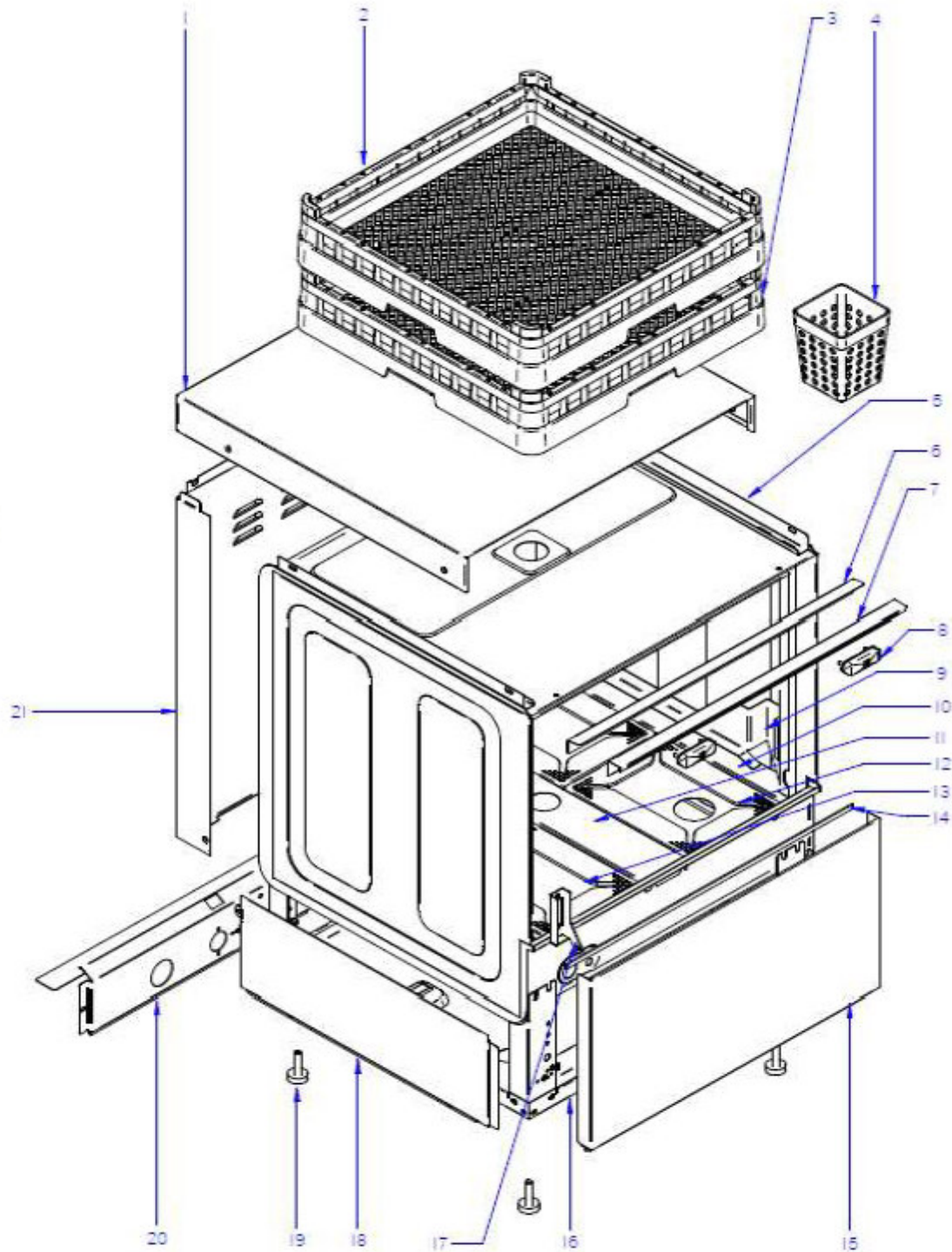
KBS Gastrotechnik GmbH – Schoßbergstraße 26 – 65201 Wiesbaden

## MODEL DRAWING RELATION

MODEL	UC_02	UC_03	UC_04	UC_05	UC_06	UC_07	UC_10
	Structure	Door	Wash Functional Part	Gravity Drain	Drain Pump	Rinsing Functional Part	Electric Functional Part
G-OEM-510	X	X	X	X		X	X
G-OEM-510 DD	X	X	X	X		X	X
G-OEM-510 B	X	X	X		X	X	X
G-OEM-510 B DD	X	X	X		X	X	X
G-OEM-510 SA	X	X	X	X		X	X
G-OEM-510 DD SA	X	X	X	X		X	X
G-OEM-510 B SA	X	X	X		X	X	X
G-OEM-510 B DD SA	X	X	X		X	X	X
G-OEM-510 F	X	X	X	X		X	X
G-OEM-510 DD F	X	X	X	X		X	X
G-OEM-510 B F	X	X	X		X	X	X
G-OEM-510 B DD F	X	X	X		X	X	X
G-OEM-510 F SA	X	X	X	X		X	X
G-OEM-510 DD F SA	X	X	X	X		X	X
G-OEM-510 B F SA	X	X	X		X	X	X
G-OEM-510 B DD F SA	X	X	X		X	X	X
G-OEM-510 UK	X	X	X	X		X	X
G-OEM-510 DD UK	X	X	X	X		X	X
G-OEM-510 B UK	X	X	X		X	X	X
G-OEM-510 B DD UK	X	X	X		X	X	X
G-OEM-510 SA UK	X	X	X	X		X	X
G-OEM-510 DD SA UK	X	X	X	X		X	X
G-OEM-510 B SA UK	X	X	X		X	X	X
G-OEM-510 B DD SA UK	X	X	X		X	X	X
G-OEM-510 F UK	X	X	X	X		X	X
G-OEM-510 DD F UK	X	X	X	X		X	X
G-OEM-510 B F UK	X	X	X		X	X	X
G-OEM-510 B DD F UK	X	X	X		X	X	X
G-OEM-510 F SA UK	X	X	X	X		X	X
G-OEM-510 DD F SA UK	X	X	X	X		X	X
G-OEM-510 B F SA UK	X	X	X		X	X	X
G-OEM-510 B DD F SA UK	X	X	X		X	X	X

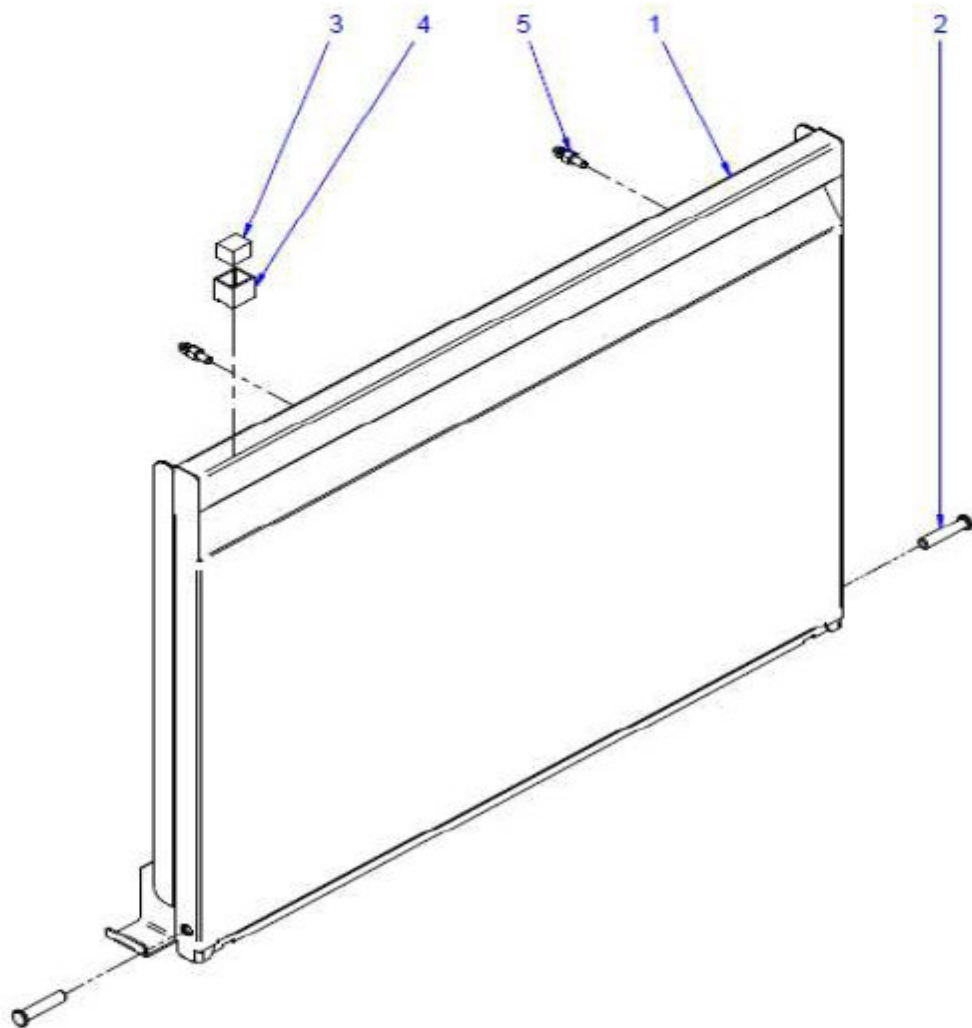
- \* Si su modelo no esta en la lista de planos, escoga la descripcion mas cercana  
 \* If your model does appear in the list of drawings, choose the closest description

OPTIONS	DESCRIPCIÓN	DESCRIPTION
<b>B</b>	Bomba de desagüe	Drain Pump
<b>DD</b>	Dosificador de detergente	Detergent dispenser
<b>SA</b>	Ramas de aclarado en acero inoxidable	Rinsing arms in Stainless Steel
<b>F</b>	Bandejas filtros de acero inoxidable	Stainless steel filter trays
<b>UK</b>	Potencia de cuba y cable modificado para R.U	Modified Tank power and power cord for UK



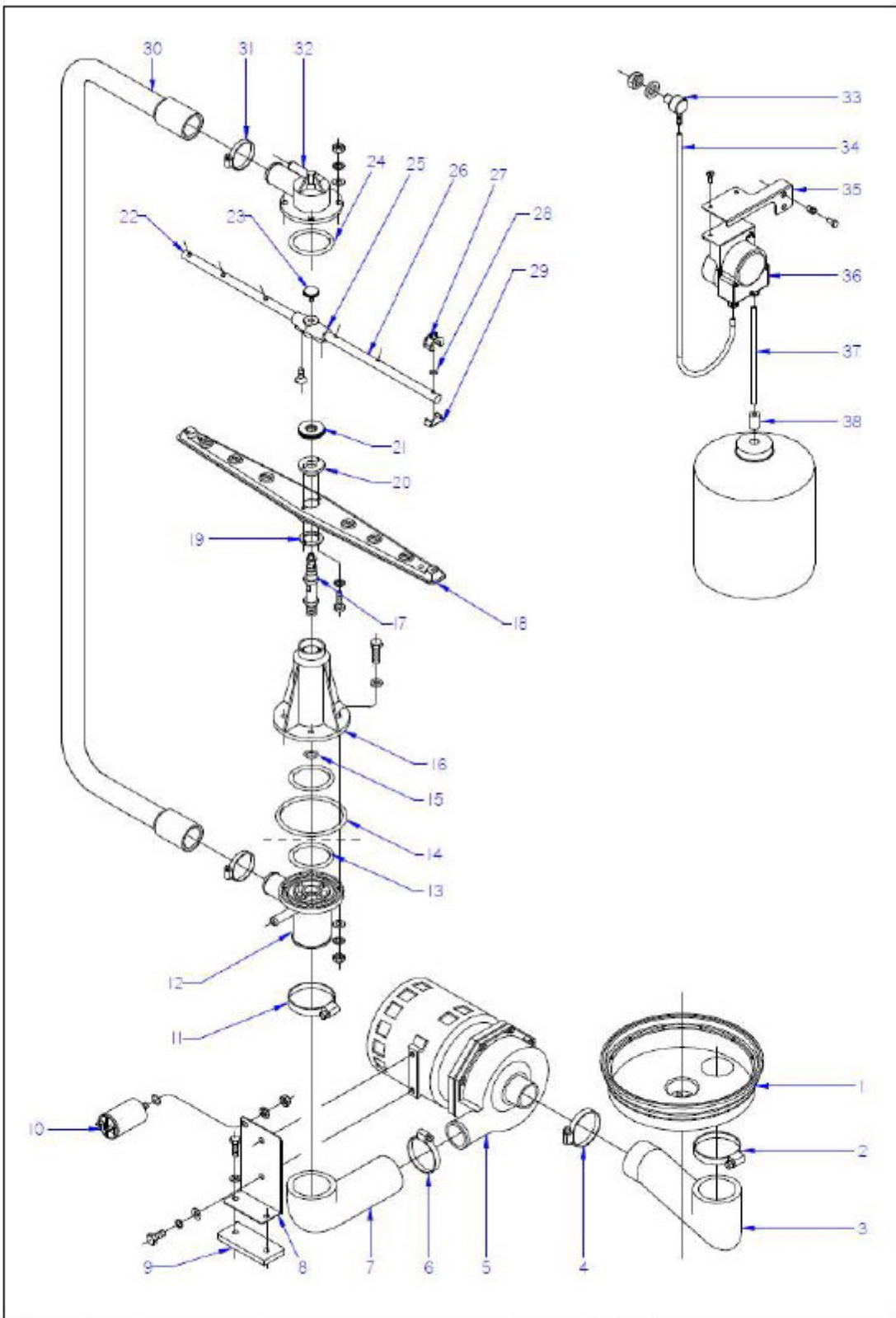
Model / Drawing N. <b>UC_01</b>	Firm / Signature <b>Filip S.</b>	Fecha / Date <b>02/2018</b>	Aparato / Appliance <b>ARMAZON TECH / TECH FRAME</b> <b>FRONT LOADING DW OEM/500</b>	Laminas / Sheet <b>1</b>
------------------------------------	--	--------------------------------	--	-----------------------------

ZONA / ZONE		ESTRUCTURA / STRUCTURE										LÁMINA / DRAWING										UC_02
ITEM	REFERENCIA REFERENCE	DENOMINACIÓN	DENOMINATION	G-OEM-510	G-OEM-510 DD	G-OEM-510 B	G-OEM-510 B DD	G-OEM-510 F	G-OEM-510 DD F	G-OEM-510 B F	G-OEM-510 B DD F							RECOMMENDED	ELIMINADO ELIMINATED	INTRODUCIDO INTRODUCED	NOTAS NOTES	
1	12170241	TAPA G-OEM-500	G-OEM 500 LID	1	1	1	1	1	1	1	1											
2	12024990	CESTILLO PLATOS CP-16-18	PLATE BASKET CP-16-18	1	1	1	1	1	1	1	1											
3	12023745	CESTILLO CUBIERTOS	CUTLERY BASKET	1	1	1	1	1	1	1	1											
4	12025011	CESTILLO BASE CT-10	BASE BASKET CT-10	1	1	1	1	1	1	1	1											
5	12170248	SOPORTE TAPA G-OEM-500	G-OEM 500 LID REINFORCEMENT	2	2	2	2	2	2	2	2											
6	12024374	PERFIL CAJA	BOX PROFILE	1	1	1	1	1	1	1	1											
7	12022469	ESCUADRA SUJECCION PERFIL	FASTENING BRACKET PROFILE	1	1	1	1	1	1	1	1											
8	12003212	CONJUNTO CIERRE PUERTA	LOCK CLOSING DEVICE	2	2	2	2	2	2	2	2											
9	12170251	GUIA CESTILLO DERECHO	RIGHT BASKET GUIDE	1	1	1	1	1	1	1	1											
S/Nº	12170230	GUIA CESTILLO IZQUIERDO	LEFT BASKET GUIDE	1	1	1	1	1	1	1	1											
10	12022458	SOPORTE DERECHO BANDEJAS	RIGHT TRAY SUPPORT	-	-	-	-	1	1	1	1											
S/Nº	12022459	SOPORTE IZDO. BANDEJAS	LEFT TRAY SUPPORT	-	-	-	-	1	1	1	1											
11	12022518	SOPORTE CENTRAL BANDEJAS	TRAY SUPPORT CENTRAL	-	-	-	-	1	1	1	1											
12	12131729	BANDEJA FILTRO DESAGÜE	DRAIN FILTER TRAY	-	-	-	-	1	1	1	1											
13	12022559	BANDEJA FILTRO	FILTER TRAY	-	-	-	-	3	3	3	3											
14	12154932	PERFIL PROTECCION GOMA	TANK PROTECTOR GASKET	1	1	1	1	1	1	1	1											
15	12022724	PANEL FRONTAL SIN PUERTA	FRONT PANEL WITHOUT DOOR	1	1	1	1	1	1	1	1											
16	12003593	ARMAZON COMPLETO	COMPLETE FRAME	1	1	1	1	1	1	1	1											
17	12170261	BISAGRA IZQUIERDA UC-500	UC- LEFT HINGE	1	1	1	1	1	1	1	1											
S/Nº	12170242	BISAGRA DERECHA UC-500	UC- RIGHT HINGE	1	1	1	1	1	1	1	1											
18	12022560	PANEL LATERAL IZQUIERDO	LEFT SIDE PANEL	1	1	1	1	1	1	1	1											
S/Nº	12022563	PANEL LATERAL DERECHO	RIGHT SIDE PANEL	1	1	1	1	1	1	1	1											
19	12024163	PATA REGULABLE	ADJUSTABLE LEG	4	4	4	4	4	4	4	4											
20	12022395	PANEL POSTERIOR INFERIOR	REAR LOWER PANEL	1	1	1	1	1	1	1	1											
21	12170232	PANEL POSTERIOR G-OEM-500	BACK PANEL G-OEM-500	1	1	1	1	1	1	1	1											



N. plano / Drawing N.	Firma / Signature	Firma / Date	Appalto / Applicate	APRAZON / FRAME	Carina / Sheet
UC_03	Filip S.	02/2019		UC TECH	1



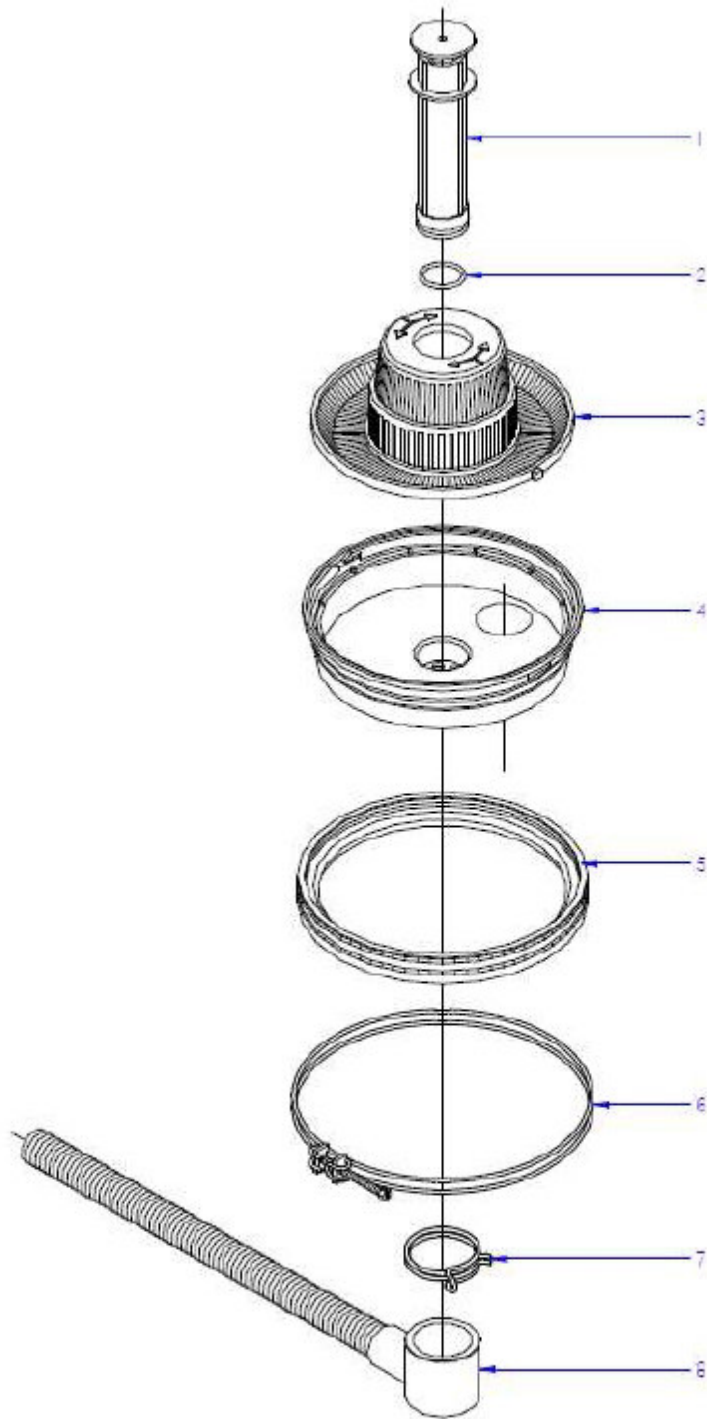


Drawing No.	Signature	Date	Device	WASH FUNCTIONAL PART	Sheet
UC_04	Aitor U.	02-2018	FRONT LOADING DW OEM-500		4

ZONA / ZONE		WASHING FUNCTIONAL PART										LÁMINA / DRAWING										UC_04
ITEM	REFERENCIA REFERENCE	DENOMINACIÓN	DENOMINATION	G-OEM-510	G-OEM-510 DD	G-OEM-510 B	G-OEM-510 B DD	G-OEM-510 SA	G-OEM-510 DD SA	G-OEM-510 B SA	G-OEM-510 B DD SA							RECOMMENDED	ELIMINADO ELIMINATED	INTRODUCIDO INTRODUCED	NOTAS NOTES	
1	12024367	CUBETA	TRAY	1	1	1	1	1	1	1	1											
2	12009933	ABRAZADERA 50-70L	CLAMP 50-70L	1	1	1	1	1	1	1	1											
3	12023683	CODO ASPIRACION 1003018	EXTRACTOR ELBOW 1003018	1	1	1	1	1	1	1	1											
4	12009962	ABRAZADERA 40-60	CLAMP 40-60	1	1	1	1	1	1	1	1											
5	12043287	BOMBA DE LAVADO <b>50Hz</b>	WASH PUMP <b>50Hz</b>	1	1	1	1	1	1	1	1							X				
5	12102834	BOMBA DE LAVADO <b>60Hz</b>	WASH PUMP <b>60Hz</b>	1	1	1	1	1	1	1	1							X				
6	12009962	ABRAZADERA 40-60	CLAMP 40-60	1	1	1	1	1	1	1	1											
7	12023689	CODO IMPULSION 1003017	IMPULSE ELBOW 1003017	1	1	1	1	1	1	1	1											
8	12022393	SOPORTE MOTOBO.F-3-4-5-6	MOTORPUMP SUPPORT F-3-4-5-6	1	1	1	1	1	1	1	1											
9	12023556	BASE BOMBA LAVADO 1003016	WASH PUMP BASE 1003016	1	1	1	1	1	1	1	1											
10	12024376	CONDENSADOR 10 M.F.	CONDENSER 10 M.F.	1	1	1	1	1	1	1	1											
11	12009933	ABRAZADERA 50-70L	CLAMP 50-70L	1	1	1	1	1	1	1	1											
12	12023613	PASAMUROS	BUSHING	1	1	1	1	1	1	1	1											
13	12010079	JUNTA TOR.50.17X60.83X5.3	O-RING 50.17X60.83X5.3	1	1	1	1	1	1	1	1											
14	12009976	JUNTA TOR.85.09X95.75X5.3	O-RING 85.09X95.75X5.3	2	2	2	2	2	2	2	2											
15	12009837	JUNTA TOR.13.94X19.18X2.6	O-RING 13.94X19.18X2.6	1	1	1	1	1	1	1	1											
16	12024480	SOPORTE DISTRIBUID. INFERIOR	LOWER DISTRIBUTOR SUPPORT	1	1	1	1	1	1	1	1											
17	12023844	EJE CENTRAL	CENTRAL SHAFT	2	2	2	2	2	2	2	2											
18	12025122	DISTRIBUIDOR MONTADO	DISTRIBUTOR MOUNTED	2	2	2	2	2	2	2	2											
19	12024289	AMARRE ENGANCHE DISTRIBUID.	DISTRIBUTOR HOOK	2	2	2	2	2	2	2	2											
20	12110631	ENGANCHE DISTRIBUIDOR	MOTORPUMP SUPPORT F-3-4-5-6	2	2	2	2	2	2	2	2											
21	12024375	TUERCA ESPECIAL M.14X1	SPECIAL NUT M.14X1	2	2	2	2	2	2	2	2											
22	12023524	RAMA DE ACLARADO IZQUIERDA	LEFT RINSE BRANCH	2	2	2	2	-	-	-	-											
22	12113595	RAMA DE ACLARADO IZQUIERDA SS	LEFT RINSE BRANCH SS	-	-	-	-	2	2	2	2											
23	12009829	TORNILLO ESPECIAL M.5X0.8	SPECIAL BOLT M.5X0.8	2	2	2	2	2	2	2	2											
24	12010079	JUNTA TOR.50.17X60.83X5.3	O-RING 50.17X60.83X5.3	1	1	1	1	1	1	1	1											
25	12024470	SOPORTE RAMAS ACLARADO	RINSE BRANCH SUPPORT	2	2	2	2	2	2	2	2											
26	12023527	RAMA DE ACLARADO DERECHA	RIGHT RINSE BRANCH	2	2	2	2	-	-	-	-											
26	12113596	RAMA DE ACLARADO DERECHA SS	RIGHT RINSE BRANCH SS	-	-	-	-	2	2	2	2											
27	12024077	TOBERA ACLARADO	RINSE NOZZLE	12	12	12	12	-	-	-	-											

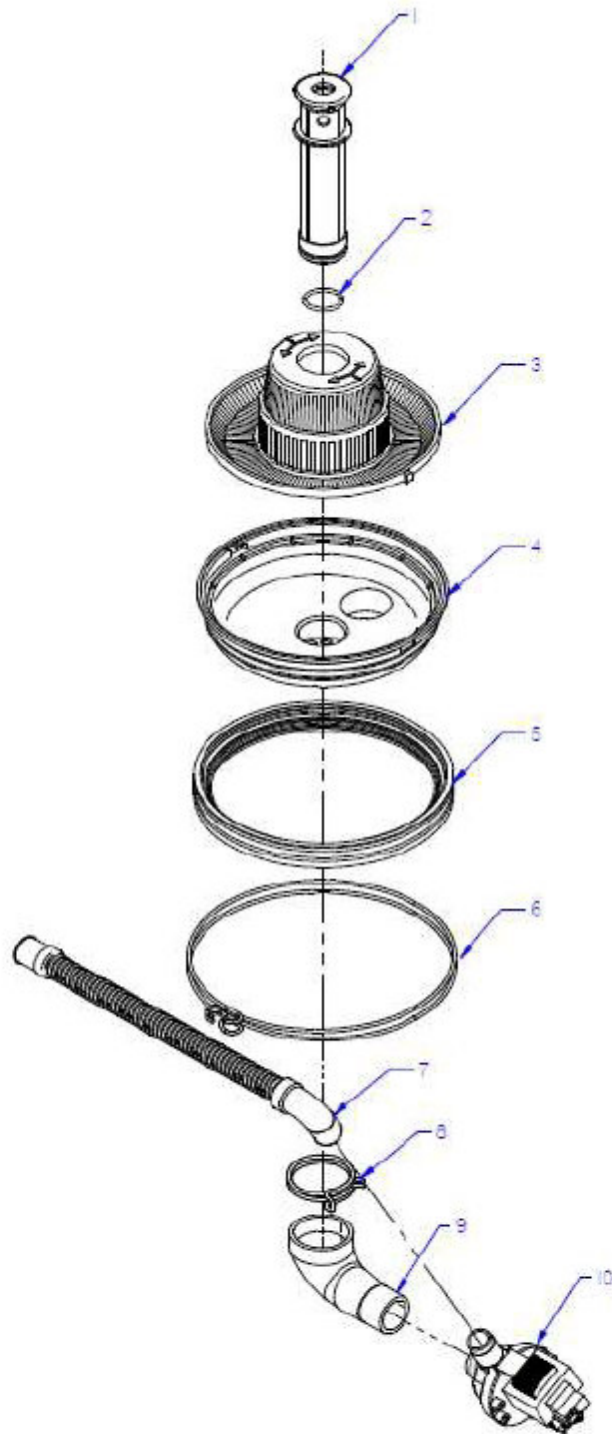






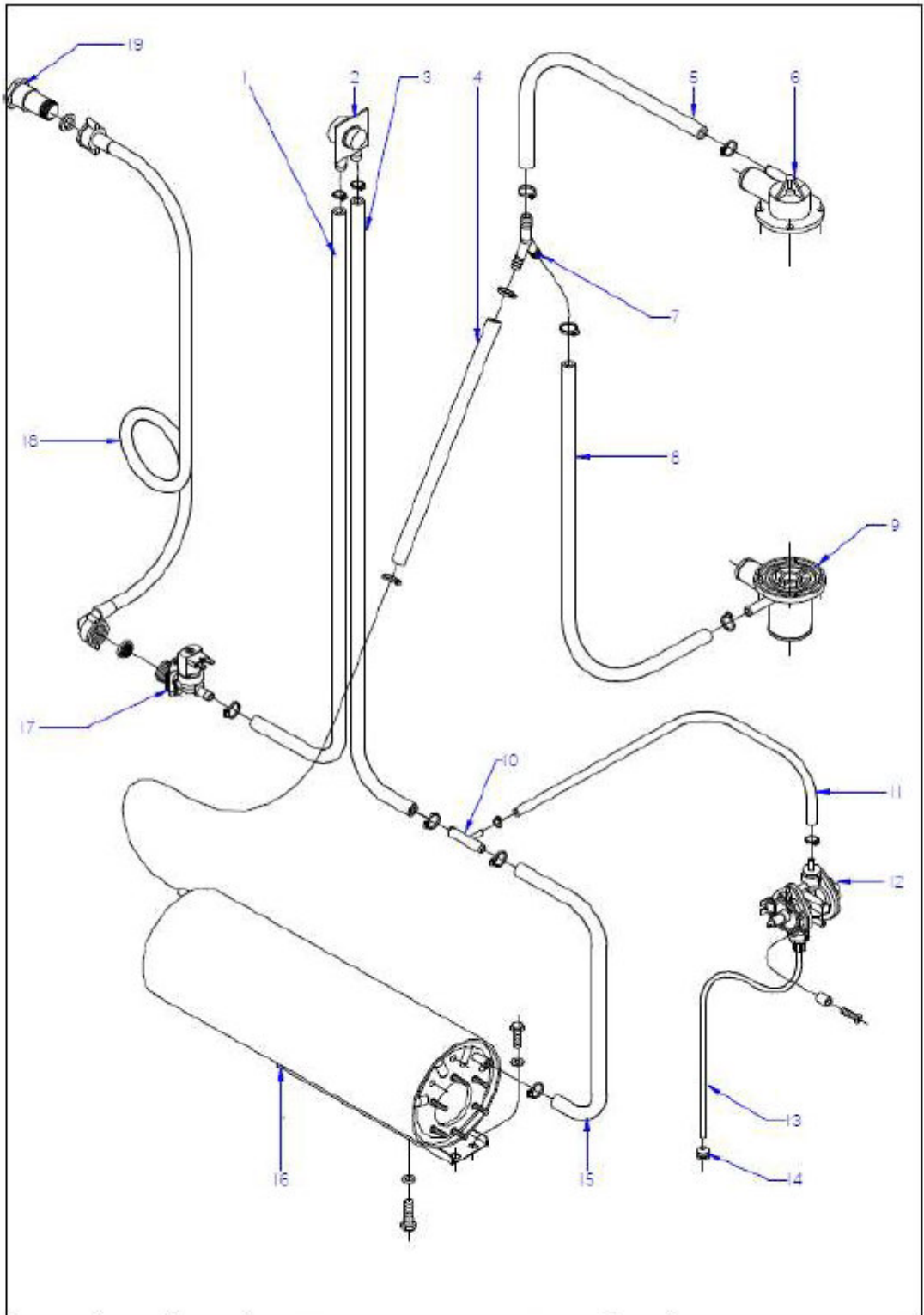
Drawing No.	Signature	Date	Device	GRAVITY DRAINAGE FUNCTIONAL PART	Sheet
UC_05	Aitor U.	02-2018	FRONT LOADING DW	OEM-500	5





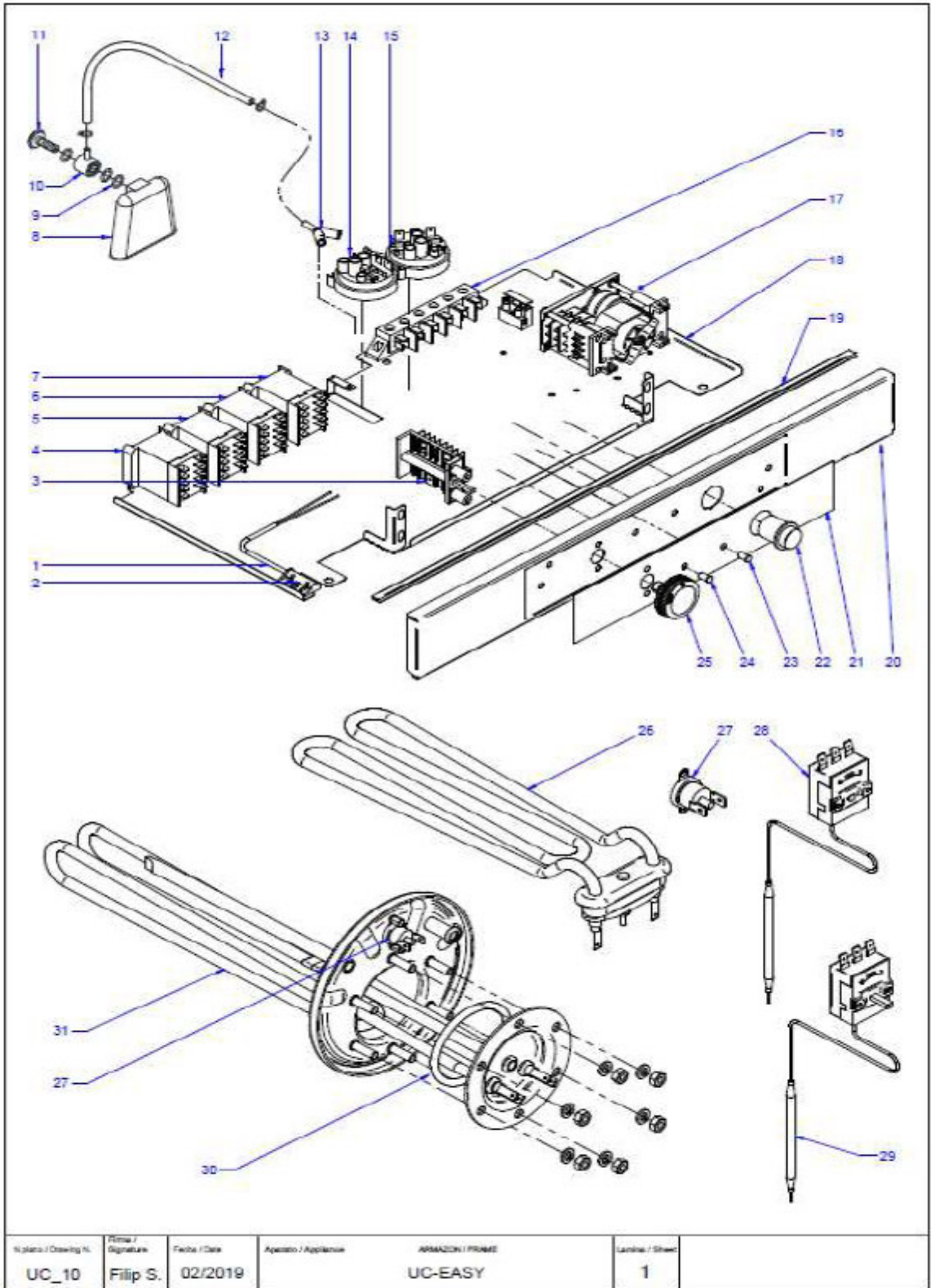
Drawing No.	Signature	Date	Device	DRAIN PUMP GRABAGE FUNCTIONAL PART	Sheet
UC_06	Aitor U.	02-2018	FRONT LOADING DW OEM-500		6





Drawing No.	Signature	Date	Drawn	REVISION FUNCTIONAL PART	Sheet
UC_07	Aitor U.	02-2018	FRONT LOADING DW OEM-500		7







ZONA / ZONE		PARTE FUNCIONAL ELECTRICA / ELECTRIC FUNCTIONAL PART										LÁMINA / DRAWING						UC_10	
ITEM	REFERENCIA REFERENCE	DENOMINACIÓN	DENOMINATION	G-OEM-510	G-OEM-510 DD	G-OEM-510 B	G-OEM-510 B DD	G-OEM-510 UK	G-OEM-510 DD UK	G-OEM-510 B UK	G-OEM-510 B DD UK					RECOMMENDED	ELIMINADO ELIMINATED	INTRODUCIDO INTRODUCED	NOTAS NOTES
1	12024477	INTERRUPTOR MAGNETICO	MAGNETIC SWITCH	1	1	1	1	1	1	1	1								
2	12024066	AMARRE INTERRUPT. MAGNETICO	MAGNETIC SWITCH FASTENER	1	1	1	1	1	1	1	1								
3	12024445	CONMUTADOR DE FUNCIONES	FUNCTIONS SWITCH	1	1	1	1	1	1	1	1								
S/Nº	12024067	CASQUILLO	BUSHING	2	2	2	2	2	2	2	2								
4	12023706	RELE 230V. 16A 50-60 HZ	RELAY 230V. 16A 50-60 HZ	1	1	1	1	1	1	1	1					X			
5	12024011	CONTACTOR 230 V. 50-60 HZ 16A	CONTACTOR 230 V 50-60HZ 16A	1	1	1	1	1	1	1	1					X			
6	12024011	CONTACTOR 230 V. 50-60 HZ 16A	CONTACTOR 230 V 50-60HZ 16A	1	1	1	1	1	1	1	1					X			
7	12024011	CONTACTOR 230 V. 50-60 HZ 16A	CONTACTOR 230 V 50-60HZ 16A	1	1	1	1	1	1	1	1					X			
8	12024350	CAMARA PRESOSTATO	PRESSURE SWITCH	1	1	1	1	1	1	1	1								
9	12009873	JUNTA TORICA 16.01X10.77X2.62	O-RING 16.01X10.77X2.62	3	3	3	3	3	3	3	3								
10	12024157	EMPALME PRESOSTATO	PRESSURE SWITCH CONNEX	1	1	1	1	1	1	1	1								
11	12024222	TORNILLO PRESOSTATO	PRESSURE SWITCH BOLT	1	1	1	1	1	1	1	1								
12	12153585	CONDUCTO PRESOSTATO	PRESOSTAT HOSE	1	1	1	1	1	1	1	1								
S/Nº	12023707	BRIDA ELASTICA TUBO	ELASTIC PIPE FLANGE	2	2	2	2	2	2	2	2								
13	12023510	RACORD EN Y	Y-CONNECTION	-	-	-	-	-	-	-	-								
14	12023802	PRESOSTATO SIMPLE 2-4 bar	2-4 bar SIMPLE PRESOSTAT	1	1	1	1	1	1	1	1					X			
15	12023805	PRESOSTATO SIMPLE 7,5-9,5bar	7,5-9,5bar SIMPLE PRESOSTAT	-	-	-	-	-	-	-	-					X			
16	12024382	REGLETA AUXILIAR 3 CONEXIONES	3 WAY ELECTRIC CONNECTOR	1	1	1	1	1	1	1	1								
17	12024177	PROGRAMADOR CICLO <b>50Hz</b>	CYCLE PROGRAMMER <b>50Hz</b>	1	1	1	1	1	1	1	1					X			
17	12024179	PROGRAMADOR CICLO <b>60Hz</b>	CYCLE PROGRAMMER <b>60 Hz</b>	1	1	1	1	1	1	1	1					X			
18	12170235	BASE COMPONENTES ELÉCTRICOS	ELECTRIC COMPONENT BASE	1	1	1	1	1	1	1	1								
19	12183263	BURLETE SELLADO TAPA	UC-500 LID SEALING PROFILE	1	1	1	1	1	1	1	1								
20	*	PANEL DE CONTROL	CONTROL PANEL	1	1	1	1	1	1	1	1								Check Optionals
21	*	EMBELLECEDOR G-OEM 500	G-OEM-500 STICKER	1	1	1	1	1	1	1	1								Check Optionals
22	12169232	PULSADOR ARRANQUE PROGRAM.	PROGRAM START BUTTON	1	1	1	1	1	1	1	1					X			
23	12169231	PILOTO LED VERDE	GREEN LED LIGHT	1	1	1	1	1	1	1	1					X			
24	12169230	PILOTO LED AZUL	BLUE LED LIGHT	1	1	1	1	1	1	1	1					X			
25	12170489	BOTON DE MANDO G-OEM 510	G-OEM-510 CONTROL KNOB	1	1	-	-	1	1	-	-								
25	12170490	BOTON DE MANDO G-OEM-510 B	G-OEM-510 B KNOB	-	-	1	1	-	-	1	1								
S/Nº	12024516	BURLETE MANDO	SWITCH JOINT	1	1	1	1	1	1	1	1								



