

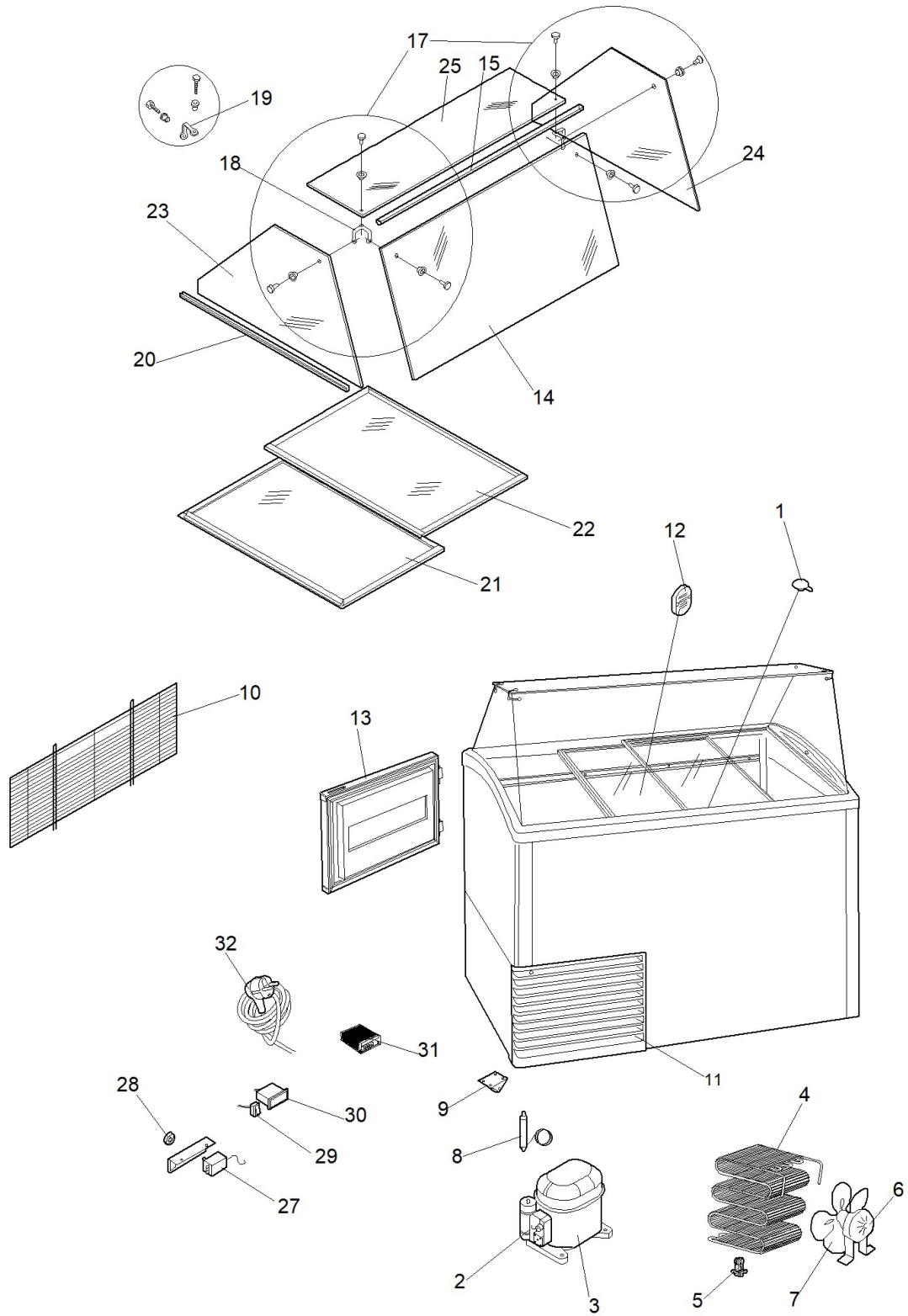
EXPLOSIONSZEICHNUNG



KBS Gastrotechnik GmbH – Schoßbergstraße 26 – 65201 Wiesbaden



E4373M0400 - SLANT 510 ICE R290



**E4373M0400 - SLANT 510 ICE R290**

Pos.	Code	Description	Qty
1	1721037	CAP CLOSING DRAINAGE WHITE	1
2	1147604	ACC.SET NLY90Lab 220-240V 50HZ CSR R290	1
3	4106143	COMP.NLY90Lab 220-240V 50HZ CSR R290	1
4	4111053	WIRE CONDENSER BUNDY 8T 7R	1
5	1722340	BRACKET CONDENSER BUNDY HOLDER	4
6	4121178	MOTOR FAN 16-65W 220-240 50/60 H72	1
7	4122029	FAN D.230X31° PRESS ALUMINUM	1
8	3141031	FILTER XH9 ENT.6.5 OUT 2.75 GR15	1
9	5623007	WHEEL 50/2/NP1 PLATE H75	4
10	0621406	REAR GRID SLANT 510 ICE	1
11	4420399523021	FRONT GRID SLANT 510 ICE WHITE	1
12	3420499412000	THERMOM.-THERMOSTAT BULB-COVER VS-VT/E WHITE	1
13	2420616686000	RESERVE BAY DOOR FOR X7/E RAL 9010	1
14	4601441936000	FRONT GLASS SLANT 510 ICE	1
15	1112088	LED LAMP T5 L1150	1
17	2222041964000	SCREW SET FOR GLASS CANOPY	1
18	4400500000100	3 WAYS CLAMP 4MA	2
19	4400500000200	2 WAYS CLAM 4MA	2
20	2222541932000	LEFT HAND SIDE PVC PROFILE	2
21	1751333	LOWER SLIDING GLASS SLANT 510	1
22	1751334	UPPER SLIDING GLASS SLANT 510	1
23	1751330	LEFT SIDE GLASS SLANT 510 ICE	1
24	1751331	RIGHT SIDE GLASS SLANT 510 ICE	1
25	1751332	UPPER GLASS SLANT 510 ICE	1
27	4100400005100	RANCO THERMOSTAT K 50 P 1126	1
28	3411399391003	BLACK THERMOSTAT KNOB	1
29	4000600011000	ONE POLE WHITE SWITCH "O-I"	1
30	4100500015000	RECTANGULAR THERMOMETER CAPIL.L=2000 BULB D.6,5	1
31	1171018	POWER SUPPLY LED 24V 20W	1
32	1021014	CABLE SUPPLY 3X1,5X2150 EUROPEAN TYPE SHUKO PLUG	1