

BEDIENUNGSANLEITUNG



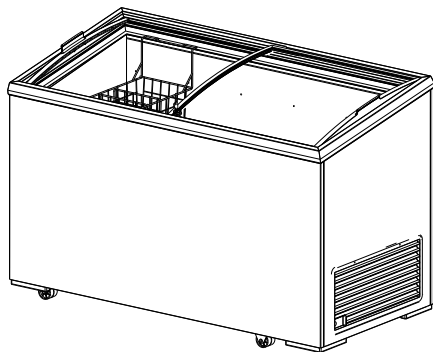
KBS Gastrotechnik GmbH – Schoßbergstraße 26 – 65201 Wiesbaden

EN CONSERVATORS
OPERATING MANUAL

FR CONSERVATEURS
MODE D'EMPLOI

DE GEFRIERTRUHE
GEBRAUCHSANWEISUNG

RU МОРОЗИЛЬНЫЕ ЛАРИ ДЛЯ ЗАМОРОЖЕННЫХ
ПРОДУКТОВ РУКОВОДСТВО ПО ЭКСПЛУАТАЦИИ



D 152 DFSG/FF/FC/AF/AC
D 200 DFSG/FF/FC/AF/AC
D 300 DFSG/FF/FC/AF/AC
D 400 DFSG/FF/FC/AF/AC
D 500 DFSG/FF/FC/AF/AC

 **Metalfrío**

1. CONTENTS

- Part 1. Contents
- Part 2. Introduction
- Part 3. Precautions and Safety Instructions Before The Initial Start-Up
- Part 4. Technical Features of Conservators
- Part 5. Assembly of Conservators/ The Initial start-up
- Part 6. Operating Conservators
- Part 7. Cleaning, Maintaining and Transporting Conservators
- Part 8. Trouble shooting
- Part 9. Compliance Norms

2. INTRODUCTION

These Frozen Food Conservators are intended for short storage, demonstration and sale of packed frozen food directly from a freezing unit in trading enterprises and public catering, in food shops, booths and the markets.

Please read this operating manual carefully before you start operating your conservator in order to ensure maximum efficiency from this product that has been manufactured to serve you over the years.

In all of the manufacturing processes “**environmentally friendly**” technologies, materials and refrigerants are used that are not harmful to nature.

As an initial step, please carefully read this manual thoroughly in order to ensure maximum efficiency from your conservator and prevent user defects.

Detect the Conservator immediately on delivery for any damage. In case of any damage, contact with your authorized dealer within 24 hours.

Attention! It requires a lapse of minimum 2 hours after any transportation before you start operating the conservator.

3. PRECAUTIONS AND SAFETY INSTRUCTIONS BEFORE THE INITIAL START-UP

Your Conservator must be plugged certainly in an earthed wall socket.

Before operating the conservator, ensure that the mains socket is checked for proper earthing (grounding) as well as nominal voltage and frequency requirements by the authorized service staff or a qualified electrician. If the supply cord is damaged, it must be replaced by the manufacturer or its authorised service or a similarly qualified person in order to avoid any hazard.

The nominal voltage and frequency requirements for the body are specified on the data plate.

Do not use multi socket and extension cable.

The main power supply to which the conservator is connected must have a leakage current relay.

Never make any repairs or carry out maintenance when the Conservator is plugged in.

Start the conservator on a level surface. Position it on the floor and make sure that it is level using a bubble gauge.

Do not position the body in a place close to a source of strong heat or exposed to direct sunlight. Always remember that the UV lights in the sunlight deteriorates beverages and foods in the Conservators.

Unless otherwise stated, do not place your cooler to open areas where water can leak in.

Do not wash with pressurized water or hose when cleaning the product and its surroundings, use a wet cloth. Otherwise, the water which may intrude into the electrical components of the product can cause electric shock and fire risk.

Do not let children get into and play around the body. Keep the conservator key and plastic bags covering the accessories and Manuel in a safe place out of reach of children.

Do not place any explosives and flammables in the Conservator for safety reasons.

Before the initial start up, clean the interior of the conservator and insert the interior drain tap. (Part 7, Picture D)

The appliance can be used in an ambient temperature of max. 32 °C
Compressor partition covered with plastic louver, which contains mechanical and electric components, are located in the right of your conservator. In order to keep the air circulation of this partition at sufficient level, place your conservator 40 cm away from structures such as louver, wall, screen or another freezer, which can prevent air flow. Prevention of air flow can negatively impact values such as cooling performance, electric consumption, sound level etc.

Minimum 15 mm space must be left between products placed in the conservator or product packaging. Excessive or compressive placement will negatively affect the performance of your conservator .

Avoid opening the lid frequently and over loading the body exceeding the maximum load line. If any flammable gas (R290, R600a) is used in your conservator,

Keep clear of obstruction all the ventilation openings in the appliance

Do not interfere with the refrigerant system.

Do not use any device or other means to accelerate the defrosting process.

Do not use any electrical device inside the food compartment of the appliance.

As the lifetime of your product comes to an end and the product is to be disposed of, please consult the local authorised service to have the refrigerant of your product discharged.

Children should be supervised to ensure that they do not play with the appliance.

Leave the top of the conservator free, so that hot air from bottom can circulate effectively.

This appliance can be used by children aged from 8 years and above and persons with reduced physical, sensory or mental capabilities or lack of experience and knowledge if they have been given supervision or instruction concerning use of the appliance in a safe way and understand the hazards involved. Children shall not play with the appliance. Cleaning and user maintenance shall not be made by children without supervision.

PLEASE CHECK YOUR REFRIGERANT GAS TYPE FROM THE RATING LABEL: R134a,R600a or R290

Only for the models with R600a or R290 gas:

R600a/R290 gas is used in some models, explained in this instruction manual. R600a/R290 is an environmentally friendly gas and used in appliances which have effective cooling technology. This gas is flammable only under certain conditions. You must follow up the following rules if you wish to get normal operating conditions.

WARNING : Keep ventilation openings, in the appliance enclosure or in the built-in structure , clear of obstruction.

WARNING : Do not use mechanical devices or other means to accelerate the defrosting process.

WARNING : Do not damage the refrigerant circuit.

WARNING : Do not use electrical appliances inside the food storage compartments of the appliance.

WARNING : In order to reduce flammability hazards, the installation of this appliance must only be carried out by a suitably qualified person.

Do not tangle with the device due to maintenance, repair or any other reasons other than authorized service.

Plug off the device against any possible freezing or icing and leave for defrosting.

Choose original components for all parts necessary for replacement on the product.

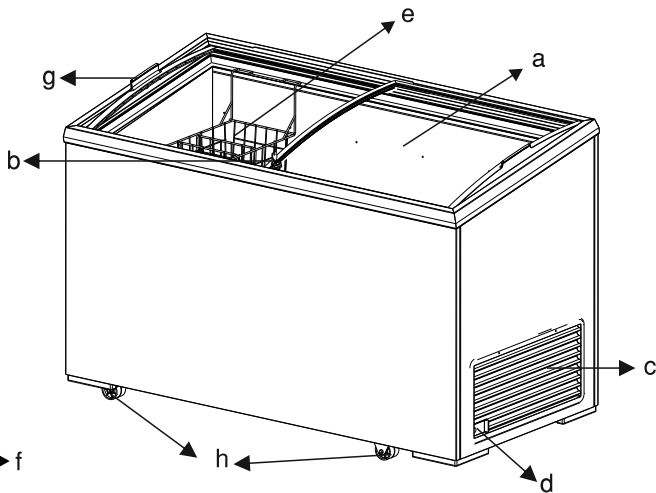
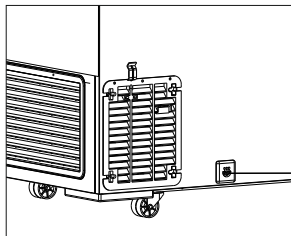
PROPER DISPOSAL OF THE REFRIGERATOR:

Before you throw away your old refrigerator or freezer

- When disposing of this or other refrigerators, remove the door/door seals, door latch so that small children or animals cannot get trapped inside.
- Leave the shelves in place so that children may not easily climb inside.
- If R600a/R290 is used as a refrigerant contact your local authority in regard to safe disposal of this product.
- CycloPentane used as a insulation blowing gas. The gases in the insulation material require special disposal procedure. Please dispose of the packaging material for this product in an environmentally friendly manner Please contact your local authorities in regard to the environmentally safe disposal of this product. If R600a/R290 is used, this product contains flammable insulation blowing gas.
- The refrigerant used in the refrigerator/freezer and the gases in the insulation material require special disposal procedures. Ensure that none of the pipes on the back of the appliance are damaged prior to disposal

4. TECHNICAL FEATURES OF CONSERVATORS

- a- Glass Lid
- b- Lid Lock
- c- Power Compartment
- d- Control Light
- e- Storage Basket
- f- Water Drainage
(excl. Model D 152 DFSG)
- g- Handle
- h- Castors
(excl. Model D 152 DFSG)



TECHNICAL FEATURES		D 152 DFSG			
		FF	FC	AF	AC
Operating Temperature	°C	-13/-23	-13/-23	-13/-23	-13/-23
Climate Class		Please see the name plate...			
Energy Consumption	kwh/24h				
Power	W				
Voltage/Frequency	V/hz				
Exterior Dimensions	LxWxH (mm)				
Interior Dimensions	LxWxH (mm)	460x510x665	460x510x665	460x510x560	460x510x560

TECHNICAL FEATURES		D 200 DFSG			
		FF	FC	AF	AC
Operating Temperature	°C	-13/-23	-13/-23	-13/-23	-13/-23
Climate Class		Please see the name plate...			
Energy Consumption	kwh/24h				
Power	W				
Voltage/Frequency	V/hz				
Exterior Dimensions	LxWxH (mm)				
Interior Dimensions	LxWxH (mm)	600x510x665	600x510x665	600x510x560	600x510x560

Values specified above tables are given according to standard values and can vary by optional features.

Type label is located in the refrigerant part of the cabinet.

Please see the back page of the guide for the Type label sample.

TECHNICAL FEATURES		D 300 DFSG			
		FF	FC	AF	AC
Operating Temperature	°C	-13/-23	-13/-23	-13/-23	-13/-23
Climate Class		Please see the name plate...			
Energy Consumption	kwh/24h				
Power	W				
Voltage/Frequency	V/hz				
Exterior Dimensions	LxWxH (mm)	1015x635x875	1015x635x875	1015x635x875	1015x635x875
Interior Dimensions	LxWxH (mm)	890x510x665	890x510x665	890x510x560	890x510x560

TECHNICAL FEATURES		D 400 DFSG			
		FF	FC	AF	AC
Operating Temperature	°C	-13/-23	-13/-23	-13/-23	-13/-23
Climate Class		Please see the name plate...			
Energy Consumption	kwh/24h				
Power	W				
Voltage/Frequency	V/hz				
Exterior Dimensions	LxWxH (mm)	1305x635x875	1305x635x875	1305x635x875	1305x635x875
Interior Dimensions	LxWxH (mm)	1180x510x665	1180x510x665	1180x510x560	1180x510x560

TECHNICAL FEATURES		D 500 DFSG			
		FF	FC	AF	AC
Operating Temperature	°C	-13/-23	-13/-23	-13/-23	-13/-23
Climate Class		Please see the name plate...			
Energy Consumption	kwh/24h				
Power	W				
Voltage/Frequency	V/hz				
Exterior Dimensions	LxWxH (mm)	1555x635x875	1555x635x875	1555x635x875	1555x635x875
Interior Dimensions	LxWxH (mm)	1430x510x665	1430x510x665	1430x510x560	1430x510x560

Values specified above tables are given according to standard values and can vary by optional features.

Type label is located in the refrigerant part of the cabinet.

Please see the back page of the guide for the Type label sample.

Climate Classes			
Class	Temperature °C	Relative Humidity %	Dew Point °C
0	20	50	9,3
1	16	80	12,6
2	22	65	15,2
3	25	60	16,7
4	30	55	20,0
5	27	70	21,1
6	40	40	23,9
7	35	75	30,0
8	23,9	55	14,3

5. ASSEMBLING CONSERVATORS / THE INITIAL START UP

Air circulation at the rear is required for the body to operate efficiently. Move the conservator backwards to place it properly. Allow minimum 10cm of space from the sides and the rear in order to ensure proper air circulation. Your Conservator is now ready to plug in.

6. OPERATING CONSERVATORS

Control panel:

Green Light: It indicates that there is electric current to your Conservator and it is operating.

Power On Light- Green ←



Thermostat Setting:

It is not possible to see the thermostat setting knob from the outside, which is located inside the power compartment. Thermostat setting is done at the factory. Do not interfere with the thermostat setting. Call the authorized service when you want to readjust it.

Thermostat Setting Knob ←



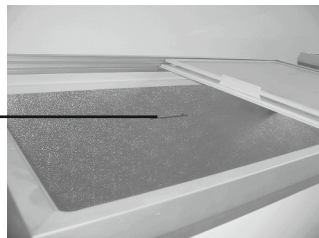
Packing

Packaging materials (cling wrap polyethylene films and tin foil) should tightly wrap foods leaving no space for air. Containers without lids should be covered with two folds of foil or cling wraps and then fixed with a rubber. Avoid overfilling a container as fluid and paste like foods expand in volume at a rate of 1/10 during freezing. Mark the packages with labels before freezing. Use self-sticking labels for this purpose. Write the date of freezing, quantity, expiry date and maximum storage time on the labels.

Storing Foods:

Place the products which are going to be stored longer in the bottom part of the conservator and those which are intended for realization in the top part of the conservator.

Maximum Load Line ←



In order to ensure maximum benefit from the Conservator and sound food storage, leave enough space between the top lid and the food packages. Therefore never exceed the maximum load line marked in the body.

Please strictly observe the following rules:

The goods stored in your conservator should have strong air-tight package, steady against a cold, influence of a moisture, smells, fat and an acid in order to preserve the quality.

7. CLEANING, MAINTAINING AND TRANSPORTING CONSERVATORS

To ensure higher efficiency of your Conservator, the conservator must be cleaned and maintained at least once in a year. Always remove the plug from the mains socket before cleaning the body.

Defrosting:

It will take longer to form ice crystals interior if the lid of the body is not frequently opened and foods are stored in closed packages.

Ice forming on the interior walls of your Conservator decreases the efficiency of your conservator within time. We recommend that you defrost the body when the ice reaches 5-6 mm of thickness. Set your body to maximum 24 hours before you start defrosting. So foods will be well preserved during defrosting and cleaning.

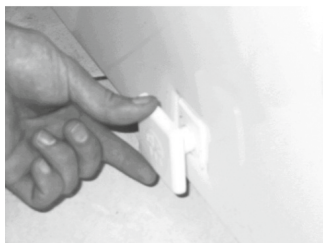
Picture A



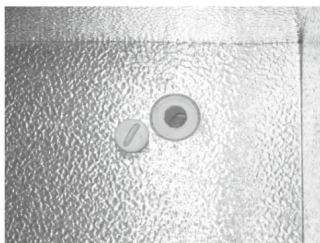
Picture B



Picture C



Picture D



Follow the steps described to drain the water that may have accumulated on the floor of your Conservator during defrosting:

Step 1. Pull out the basket in the conservator (Pictures A-B).

Step 2. The exterior drain tap is placed at the bottom of your body in the front. Rotate it 90° to left (quarter rotation), pull it out for 2-3 cm and leave it (Picture C). If you want to accelerate water draining, you can remove the tap.

Step 3. Remove the tap on the floor of the body. (Picture D)

Attention! Never use any hot water, electrical heater, sharp tools or similar things as they may harm the Conservator.

Locking Mechanism of the Glass Lids

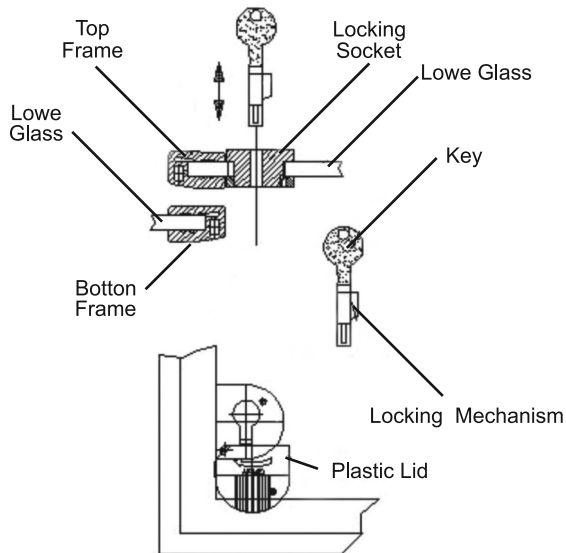
Locking

- There are two separate bolts in the locking mechanism. When the key is not inserted in the lock, there is an angle of 90° between the two bolts. After having inserted the key duly in the locking mechanism, it becomes possible to align the bolts, which are originally perpendicular to each other.
- Open the socket of the lock by softly rotating its plastic lid clockwise.
- Make sure that the body lids are completely closed for proper locking. Insert the locking mechanism and key in the socket as shown in the picture (Picture E). Turn the key clockwise to lock the lids. Once the body is locked, the key is released and you can pull it out.

Unlocking

- Gently insert the key in the locking mechanism and turn it anticlockwise until the end by exerting a mild force. In case the key is caught or gets stuck in the socket for having been turned too much or for any other reason, gently move it right and leftwards.
 - Pull out the key and the locking mechanism together. Lids will get opened.
- We recommend that you always keep the key and the locking mechanism together. In order to eliminate air and any undesired substance passage into the body while unlocked, cover the locking socket by turning its plastic lid.

PICTURE E



Holidays /Stop Using For A While:

If you are going to interrupt operation of your freezer for short time, do not unplug it from a power circuit. If you are going to interrupt operation of the freezer for long term, unplug it from a power circuit and put out the products. After defrosting dry an internal surface. In order to prevent an unpleasant smell leave a lid opened.

Transporting your conservator: Before relocating the body, unplug it from the mains socket, defrost it, wipe the interior walls and floor with a damp cloth, dismantle the glass lids and carry the conservator in the normal position as it is used.

Attention: Expansion gas (C-Pentane) is used in the insulation system of the conservator. When you dispose the body, it requires observing the applicable laws and rules of the country in which it is used.

8. TROUBLE SHOOTING

- **If the compressor continuously functions:**

Check if the ambient temperature is above 32 °C. See if the grills need cleaning for proper air circulation and if the lids are frequently opened or left open for a long time.

- **If the Green power light is off and the body does not function:**

Check if there is power failure or the body is properly plugged.

- **If your Conservator functions noisily, see if its feet are properly levelled and see with a spirit level if the floor is also levelled (smooth).**

- **If there is odour in your Conservator**

Clean your conservator as soon as possible.

- **If there are tears on the frame of your conservator**

Temporary tears can occur in intensively moisturized environments, this is normal. Keep your body away from moisturised environments so much as possible.

After having checked the above-mentioned points and carried out the recommendations, if your Conservator still functions unsatisfactorily, contact the nearest authorized service.

9. COMPLIANCE NORMS

Conservators described in this manual are manufactured and inspected in compliance with the

TS EN ISO 23953-1
TS EN ISO 23953-2
TS EN 60335-2-89
IEC 60335-2-89
2006/95/EC,
2004/108/EC

Made in Turkey

1. TABLE DES MATIÈRES

Chapitre 1. Table des matières

Chapitre 2. Introduction

Chapitre 3. Opérations à faire et mesures de sécurité à prendre avant la première mise en marche

Chapitre 4. Caractéristiques techniques des conservateurs d'aliments congelés

Chapitre 5. Montage / Première mise en marche des conservateurs d'aliments congelés

Chapitre 6. Utilisation des conservateurs d'aliments congelés

Chapitre 7. Nettoyage, entretien et transport des conservateurs d'aliments congelés

Chapitre 8. Ce qu'on doit faire avant d'appeler le service compétent

Chapitre 9. Normes de conformité des produits

2. INTRODUCTION

Les conservateurs ont été produits pour le but de stockage court, démonstration et vente des aliments congelés du groupe de congélation dans les sociétés commerciales et les magasins d'alimentation, les buffets, les restaurants, et les marchés.

La lecture attentive de ce manuel d'instructions avant l'utilisation de votre conservateur d'aliments congelés vous permettra de tirer le maximum de rendement du produit conçu pour vous servir de longues années.

A chaque étape de la fabrication de votre conservateur d'aliments congelés, ont été utilisées les technologies « écologiques » et ont été préférés le matériau et les gaz qui ne nuisent pas à la vie naturelle.

Lisez tout d'abord attentivement et entièrement ce manuel d'instructions pour tirer le maximum de rendement de votre conservateur d'aliments congelés et pour éviter les fautes de l'usage.

A l'arrivée, vérifiez s'il a subi des dommages; dans l'affirmative, en informez le vendeur dans les 24 heures au plus tard.

Attention! Attendez au moins 2 heures avant de la remise en marche de votre conservateur d'aliments congelés après chaque déplacement.

3. OPÉRATIONS À FAIRE ET MESURES DE SÉCURITÉ À PRENDRE AVANT LA PREMIÈRE MISE EN MARCHÉ

Votre conservateur d'aliments congelés doit être absolument branché sur une prise ayant une mise à la terre.

Avant la mise en marche, faire vérifier par un électricien qualifié ou le service agréé si la prise de terre et la tension du secteur auquel l'appareil est branché, sont appropriées.

Si le câble d'alimentation est détérioré, pour empêcher un accident éventuel, il doit être remplacé par le fabricant ou son service agréé ou bien par une personne compétente.

Ne pas utiliser l'adaptateur multiprises et le câble d'extension.

La source électrique du réseau à connecter conservateur doit avoir un disjoncteur différentiel.

Tension et fréquence nominales de votre conservateur d'aliments congelés sont indiquées sur la plaque signalétique.

Ne jamais procéder à une réparation et un entretien quand votre conservateur d'aliments congelés est branché.

Lancer conservateur sur une surface plane. Positionner sur le sol et s'assurer qu'il est droit en utilisant un niveau à bulle.

Ne pas installer votre conservateur d'aliments congelés à proximité d'une forte source de chaleur ni dans un endroit exposé directement aux rayons du soleil. Ne pas oublier que les rayons UV du soleil influenceraient les boissons- aliments se trouvant dans les conservateurs d'aliments congelés à couvercle transparent.

Sauf indication contraire, ne placez pas votre réfrigérateur dans les endroits ouverts où l'eau peut pénétrer.

Pendant le nettoyage du produit et ses environs, ne le lavez pas avec un tuyau ou l'eau pressurisée, utilisez une serviette humide. Sinon, l'eau dans l'assemblage d'électrique du produit peut présenter un risque de choc électrique et d'incendie.

Ne pas permettre aux enfants d'entrer dans le conservateur d'aliments congelés ni de jouer à proximité.

Garder le sac en plastique où sont mis les accessoires et la clé du conservateur d'aliments congelés hors de portée des enfants.

Pour votre sécurité, ne jamais mettre d'explosifs ou de matières inflammables dans votre conservateur d'aliments congelés.

Nettoyer l'intérieur de votre conservateur d'aliments congelés avant de le mettre en marche pour la première fois et mettre le bouchon de drainage intérieur. (Chapitre 7- figure D)

L'appareil peut fonctionner à une température ambiante de 32 °C maximum.

Le compartiment compresseur couvert par les volets en plastique ou il y a des composants mécaniques et électriques est situé juste à côté de votre conservateur. Placez votre conservateur au moins 40 cm à partir des structures, des meubles comme le mur, les volets, l'écran ou les autres refroidisseurs afin de garder la circulation d'air au niveau approprié. L'inhibition de la circulation d'air peut nuire les valeurs comme la performance de refroidissement, la consommation d'énergie, le volume.

Les produits ou les emballage des produits doivent être espacés d'au moins 15 mm dans le conservateur . La disposition pressé et excessive affectera négativement la performance de votre conservateur .

Ne pas ouvrir souvent le couvercle du conservateur d'aliments congelé, ne pas le remplir trop, veiller à ne pas dépasser «la ligne de charge maximale ».

Si on utilise des gaz inflammables (R290, R600a);

Tenir ouverts les trous d'aération se trouvant sur le corps de l'appareil.

Ne pas intervenir dans le système de réfrigération de l'appareil.

Ne pas utiliser un appareil ou un outil quelconque pour accélérer le dégivrage.

Ne pas faire fonctionner un appareil électrique quelconque dans le compartiment de stockage de l'appareil.

Lorsque votre appareil devient hors d'usage, avant de vous en débarrasser, adressez-vous s'il vous plaît au service compétent pour le déchargement du gaz réfrigérant.

Libérer la partie supérieure de conservateur pour que l'air chaud circule effectivement du dessous.

Cet appareil doit être utilisé par une personne qui est responsable de leur sécurité et par des enfants de 8 ans et dessus et par des personnes ayant des handicaps physiques, sensoriels et mentaux ou de la manque de l'expérience et connaissance en toute sécurité et en soyant sur de ses dangers. Les enfants ne devraient pas jouer avec l'appareil. Le nettoyage et l'entretien de l'utilisateur , doivent être conduits par des enfants sans surveillance.

VOUS CONTROLEZ LE TYPE DE GAZ QUE VOTRE REFRIGERATEUR CONTIENT DE L'ETIQUETTE DE GAZ: R290, R600a OU BIEN R134a

C'EST VALIDE SEULEMENT POUR LES MODELS QUI CONTIENNENT LE GAS R 600 A OU BIEN R290:

Le gaz R 600 / R290 gas a été utilisé en certains de models qui ont été mentionné dans ce manuel d'instruction. Le gaz de R600a / R290 est un gaz, ami de l'environnement qui s'utilise dans la technologie de refroidissement efficace. Ce gaz peut être enflammé dans certaines conditions distinctes. Vous devez respecter les règles ci-dessous pour obtenir les conditions de travail ordinaires.

AVERTISSEMENT : Laisser libre les parties antérieures des fans qui se situent dans les parties intérieurs et extérieurs de l'armoire pour éviter le comblement.

AVERTISSEMENT : En cas de givrage, pour accélérer la durée de fusion, ne pas utiliser un appareil mécanique.

AVERTISSEMENT : Ne pas endommager le circuit de froidement.

AVERTISSEMENT : Ne pas utiliser un appareil électrique dans la partie de conservation d'aliment de l'appareil.

AVERTISSEMENT : Afin de réduire les risques d'inflammabilité, l'installation de cet appareil doit être réalisée uniquement par un technicien qualifié.

Ne pas intervenir l'appareil pour les raisons de maintien, de réparation, ou bien un autre motif hors de service habilité.

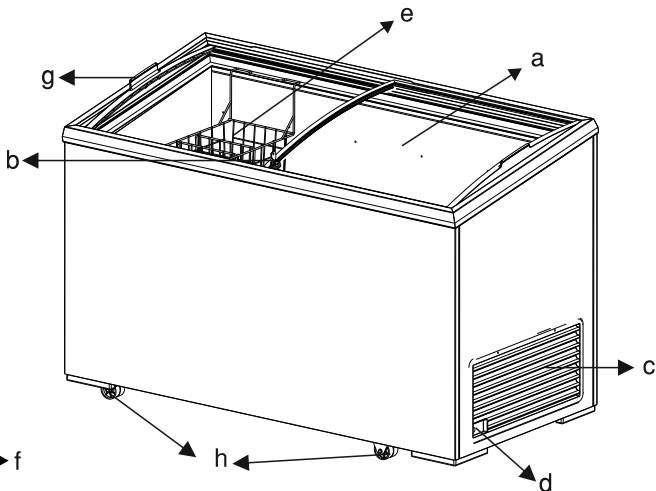
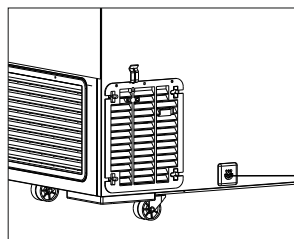
COMMENT JETER OU DETRUIRE VOTRE REFRIGERATEUR EN SECURITE:

Avant de jeter votre réfrigérateur ou votre congélateur:

- Avant de jeter ce réfrigérateur ou un autre, tâcher de retirer la porte , les joints sur les portes, la poignée de porte afin qu'aucun enfant ou animal puisse pénétrer à l'intérieur.
- Ne pas retirer les étagères présentes, ainsi les enfants ne pourront entrer à l'intérieur.
- Si les valeurs de votre congélateur étaient de R600a/R290, afin de procéder à la destruction de ce dernier en sécurité il est recommandé de contacter un représentant local.
- Le gaz utilisé pour le soufflage d'isolation est SikoPentan. La destruction du matériel des soufflages de gaz demande une procédure de destruction spécifique. Nous vous recommandons de détruire les emballages dans les régies de l'environnement. Pour la destruction de ce produit merci de contacter le représentant local. Si les valeurs utilisées sont R600a/R290 cela signifie que le soufflage de l'isolation contient du gaz.
- Le matériel d'isolation pour le gaz utilisé demande une destruction spécifique du réfrigérateur/congélateur. Avant la destruction des tuyaux vérifier qu'ils sont tous en bons états.

4. CARACTÉRISTIQUES TECHNIQUES DES CONSERVATEURS D'ALIMENTS CONGELÉS

- a- Couvercle en verre
- b- Serrure du couvercle
- c- Compartiment du moteur
- d- Voyant de contrôle
- e- Panier de conservation
- f- Sortie de drainage de l'eau
(sauf le modèle D 152 DFSG)
- g- Poignée du couvercle
- h- Roulettes
(sauf le modèle D 152 DFSG)



CARACTÉRISTIQUES TECHNIQUES		D 152 DFSG			
		FF	FC	AF	AC
Température de fonctionnement	°C	-13/-23	-13/-23	-13/-23	-13/-23
Classe de climat		Voir la plaque de fabrication...			
Consommation énergétique	kwh/24h				
Puissance	W				
Voltage / Fréquence	V/hz				
Dimensions extérieures	LxWxH (mm)	585x635x820	585x635x820	585x635x820	585x635x820
Dimensions intérieures	LxWxH (mm)	460x510x665	460x510x665	460x510x560	460x510x560

CARACTÉRISTIQUES TECHNIQUES		D 200 DFSG			
		FF	FC	AF	AC
Température de fonctionnement	°C	-13/-23	-13/-23	-13/-23	-13/-23
Classe de climat		Voir la plaque de fabrication...			
Consommation énergétique	kwh/24h				
Puissance	W				
Voltage / Fréquence	V/hz				
Dimensions extérieures	LxWxH (mm)	725x635x875	725x635x875	725x635x875	725x635x875
Dimensions intérieures	LxWxH (mm)	600x510x665	600x510x665	600x510x560	600x510x560

Les valeurs spécifiées dans les tableaux ci-dessus sont données selon les produits standard et peuvent changer en fonction de caractéristiques optionnelles

L'étiquette de type figure dans la partie réfrigérante du congélateur.

Consultez s'il vous plaît la dernière page du guide pour le spécimen de l'étiquette de type.

CARACTÉRISTIQUES TECHNIQUES		D 300 DFSG			
		FF	FC	AF	AC
Température de fonctionnement	°C	-13/-23	-13/-23	-13/-23	-13/-23
Classe de climat		Voir la plaque de fabrication...			
Consommation énergétique	kwh/24h				
Puissance	W				
Voltage / Fréquence	V/hz				
Dimensions extérieures	LxWxH (mm)	1015x635x875	1015x635x875	1015x635x875	1015x635x875
Dimensions intérieures	LxWxH (mm)	890x510x665	890x510x665	890x510x560	890x510x560

CARACTÉRISTIQUES TECHNIQUES		D 400 DFSG			
		FF	FC	AF	AC
Température de fonctionnement	°C	-13/-23	-13/-23	-13/-23	-13/-23
Classe de climat		Voir la plaque de fabrication...			
Consommation énergétique	kwh/24h				
Puissance	W				
Voltage / Fréquence	V/hz				
Dimensions extérieures	LxWxH (mm)	1305x635x875	1305x635x875	1305x635x875	1305x635x875
Dimensions intérieures	LxWxH (mm)	1180x510x665	1180x510x665	1180x510x560	1180x510x560

CARACTÉRISTIQUES TECHNIQUES		D 500 DFSG			
		FF	FC	AF	AC
Température de fonctionnement	°C	-13/-23	-13/-23	-13/-23	-13/-23
Classe de climat		Voir la plaque de fabrication...			
Consommation énergétique	kwh/24h				
Puissance	W				
Voltage / Fréquence	V/hz				
Dimensions extérieures	LxWxH (mm)	1555x635x875	1555x635x875	1555x635x875	1555x635x875
Dimensions intérieures	LxWxH (mm)	1430x510x665	1430x510x665	1430x510x560	1430x510x560

Les valeurs spécifiées dans les tableaux ci-dessus sont données selon les produits standard et peuvent changer en fonction de caractéristiques optionnelles

L'étiquette de type figure dans la partie réfrigérante du congélateur.

Consultez s'il vous plaît la dernière page du guide pour le spécimen de l'étiquette de type.

Classe de climat			
Classe	Temperature °C	Humidité relative %	Point de fondu °C
0	20	50	9,3
1	16	80	12,6
2	22	65	15,2
3	25	60	16,7
4	30	55	20,0
5	27	70	21,1
6	40	40	23,9
7	35	75	30,0
8	23,9	55	14,3

5. MONTAGE / PREMIÈRE MISE EN MARCHÉ DES CONSERVATEURS D'ALIMENTS CONGELÉS

Il est obligatoire qu'il y ait une circulation de l'air dans la partie derrière pour un bon rendement des conservateurs d'aliments congelés.

Placer votre conservateur d'aliments congelés en le poussant en arrière.

Laisser un espace vide d'au moins de 10 cm en arrière et sur les côtés des conservateurs d'aliments congelés.

Puis enfoncer la fiche dans la prise.

6. UTILISATION DES CONSERVATEURS D'ALIMENTS CONGELÉS

Panneau de contrôle :

Sur le panneau de contrôle se trouvent :

•Un voyant vert; il indique que le courant électrique arrive au conservateur d'aliments congelés et qu'il est en marche.

VOYANT VERT DE MARCHÉ ←



Réglage du thermostat:

Le bouton du thermostat se trouve dans le compartiment du moteur et n'est pas visible de l'extérieur. Le réglage du thermostat est mis au réglage de la sortie de l'usine. Ne gêner pas le réglage. Adressez-vous au service compétent le plus proche lorsque vous voulez changer le réglage.

bouton du thermostat ←



Emballage :

Il faut bien emballer les produits alimentaires avec le matériau d'emballage (film en plastique ou papier aluminium) de façon à ne pas laisser d'air à l'intérieur.

Il faut mettre sur les récipients n'ayant pas de couvercle, une double couche de film et mettre un élastique autour.

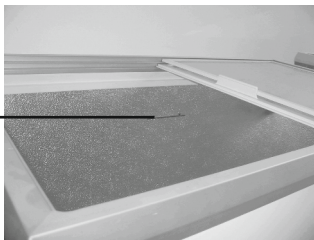
Les aliments liquides ou en pâte se dilatant de 1/10 pendant la congélation, il ne faut pas remplir les récipients jusqu'au bord.

Il faut étiqueter les paquets à congeler. On peut utiliser dans ce but des étiquettes autocollantes. Il faut écrire sur les étiquettes, date de congélation, quantité, dernière date de consommation, durée maximale de conservation des produits alimentaires.

Disposition des produits alimentaires :

Mettez les produits qui seront vendus tout de suite dans la partie haute et ceux-ci seront conservés pendant longtemps dans la partie bas du congélateur.

ligne de charge maximale ←



Pour avoir le maximum de performance du conservateur d'aliments congelés, il doit y avoir de l'espace suffisant entre les paquets de produits alimentaires et le couvercle supérieur. Pour cette cause, ne pas dépasser la ligne de charge maximale marquée à l'intérieur.

Règles à respecter :

Les produits que vous conservez dans vos conservateurs doivent avoir une emballage hermétique ; résistante au froid , a l'influence de l'humidité, des odeurs, du gras et de l'acide afin de préserver leur qualité .

7. NETTOYAGE, ENTRETIEN et TRANSPORT DES CONSERVATEURS D'ALIMENTS CONGELÉS

Procéder au moins une fois par an à l'entretien et au nettoyage de votre conservateur d'aliments congelés pour avoir un meilleur rendement.

Débrancher votre conservateur d'aliments congelés avant le nettoyage.

Dégivrage :

La vitesse de formation de givrage sera basse tant que vous n'ouvrez pas très souvent le couvercle de votre conservateur d'aliments congelés et que vous conservez les produits alimentaires dans des paquets fermés. Le givre se formant dans le temps, sur les parois intérieures de votre conservateur d'aliments congelés diminue son rendement. Nous vous conseillons de le dégivrer lorsque le givre atteint 5 à 6 mm. Mettez le réglage en position maximale 24 heures avant de procéder au dégivrage. Vos produits alimentaires seront ainsi conservés pendant le dégivrage et le nettoyage.

Figure A



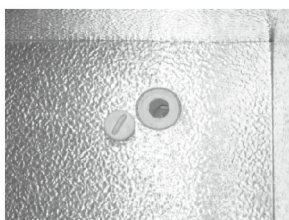
Figure B



Figure C



Figure D



Pour évacuer le liquide accumulé au fond du conservateur d'aliments congelés lors du dégivrage :

Étape 1: Sortez le panier de votre conservateur d'aliments congelés en tirant vers le haut (Figure A-B)

Étape 2: Tournez à gauche de 90° (un quart de tour) le bouchon de drainage extérieur situé à la partie avant bas, tirez-le en dehors de 2 à 3 cm et laissez tel qu'il est (figure C) . Si vous voulez que le liquide évacué par le petit trou du bouchon sorte plus vite, vous pouvez sortir complètement le bouchon et accélérer le vidange.

Étape 3: Ouvrez le bouchon du plancher intérieur. (Figure D)

Attention ! Ne jamais utiliser d'eau chaude, de chauffage électrique, d'objets tranchants sous peine d'endommager votre conservateur d'aliments congelés..

Caractéristique de fermeture à clé des couvercles en verre :

Pour fermer à clé

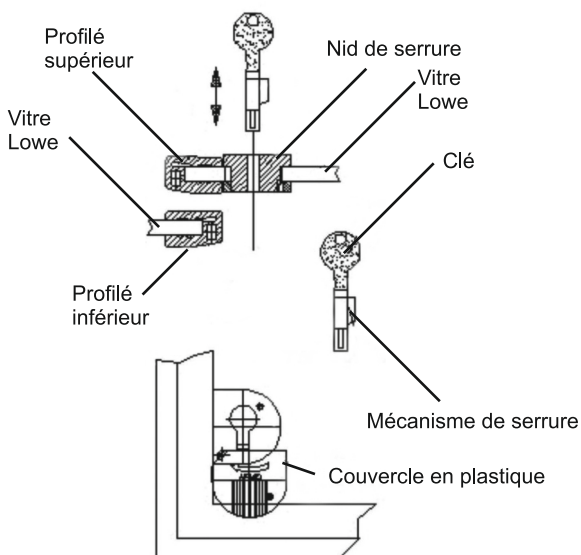
- Dans le mécanisme de la serrure il existe deux languettes différentes. Il y a un angle de 90 ° entre les deux languettes dans le cas où la clé n'est pas dans la serrure. Nous pouvons mettre sur le même plan les deux languettes perpendiculaires l'une à l'autre en rentrant notre clé dans le trou de la serrure.
- Nous pouvons atteindre le mécanisme de la serrure en tournant doucement le couvercle en plastique de la serrure dans le sens des aiguilles d'une montre.
- Vérifier que les couvercles du conservateur d'aliments congelés soient bien fermés pour procéder à l'opération de la fermeture à clé. Placer en même temps le mécanisme de la serrure et la clé dans le nid de la serrure comme sur la figure (Figure E). Si vous tournez votre clé dans le sens des aiguilles d'une montre, les couvercles seront fermés à clé. Vous pourrez reprendre votre clé qui sera lâchée.

Pour ouvrir

- Après avoir placé doucement la clé dans le mécanisme de la serrure, tournez à fond la clé dans le sens inverse des aiguilles d'une montre, avec une force moyenne. Si la serrure ne sort pas du nid à cause d'un coincement ou de tourner de trop, bougez- la légèrement à gauche et à droite.
- Retirez le mécanisme de la serrure avec la clé.

Les couvercles seront ouverts.

Il est conseillé de ne pas séparer la clé du mécanisme de la serrure. Et dans le cas où votre conservateur d'aliments congelés n'est pas fermé à clé, fermez le nid de la serrure en tournant le couvercle en plastique pour éviter l'entrée de l'air ou d'autres matières étrangères.



Vacances / Arrêt prolongé :

Si vous allez interrompre votre conservateur pour une durée courte, ne pas débrancher du circuit du puissance . Si vous n'allez pas vous servir de votre conservateur pendant une longue durée, débarrachez-le du circuit du puissance et enlevez les produits du dedans. Après le degivrage, séchez l'intérieur du conservateur. Afin de s'empêcher d'une mauvaise odeur laissez le couvercle ouvert.

Transport : Pendant le transport, débranchez le conservateur d'aliments congelés, procédez au dégivrage, essuyez les parois et le plancher intérieurs avec un chiffon humide, enlevez les couvercles en verre et transportez-le en position d'utilisation normale.

Attention : Dans la période du hors fonctionnement du corps, il y a l'obligation d'agir conformément au règlement et à la législation du pays où se trouve le conservateur d'aliments congelés, du fait qu'on utilise du gaz de dilatation (Pentane- C) pour l'isolation du conservateur d'aliments congelés.

8. CE QU'ON DOIT FAIRE AVANT D'APPELER LE SERVICE COMPÉTENT

• **Si le compresseur fonctionne sans cesse ;**

Vérifier si la température ambiante est supérieure à 32 °C. Vérifier si le grillage d'aération est bien propre. Le couvercle de votre conservateur d'aliments congelés s'ouvre très souvent ou il reste longtemps ouvert.

• **Si le voyant vert de marche est éteint et que le conservateur d'aliments congelés ne fonctionne pas ;**

Vérifier s'il y a la coupure d'électricité et si la fiche est bien enfoncée dans la prise.

• **Si votre conservateur d'aliments congelés fait du bruit ;**

Vérifier si les pieds du conservateur d'aliments congelés se posent bien au sol et vérifier à l'aide d'un niveau à bulle si la surface où est posé l'appareil est bien au niveau.

• **Si votre conservateur d'aliments congelés émane de mauvaises odeurs ;**

Nettoyez votre conservateur d'aliments congelés plus vite possible.

S'il y a une buée sur les façades de votre conservateur d'aliments congelés;

Il peut se former de la buée de courte durée dans les milieux humides. Tenez autant que possible, votre conservateur d'aliments congelés loin des milieux humides.

Si votre conservateur d'aliments congelés ne fonctionne toujours pas malgré les contrôles et les instructions indiqués dans ce manuel d'instructions ou qu'il fonctionne mal, adressez-vous au service compétent.

9. NORMES DE CONFORMITÉ DES PRODUITS

Les conservateurs d'aliments congelés indiqués dans le manuel d'instructions sont fabriqués et testés conformément aux normes :

TS EN ISO 23953-1

TS EN ISO 23953-2

TS EN 60335-2-89

IEC 60335-2-89

2006/95/EC,

2004/108/EC

Fabrique en Turqué

1. INHALT

1. Teil: Inhalt
2. Teil: Einführung
3. Teil: Sicherheit und Massnahmen vor der ersten Inbetriebnahme
4. Teil: Technische Eigenschaften der Gefriertruhe
5. Teil: Montage / Erste Inbetriebnahme der Gefriertruhe
6. Teil: Bedienung der Gefriertruhe
7. Teil: Reinigung, Wartung und Transport der Gefriertruhe
8. Teil: Bevor Sie den Kundenservice rufen
9. Teil: Kompatibilitätsstandards der Produkte

2. EINFÜHRUNG

Diese Gefriertruhen sind für kurze Lagerungen, Vorführung und Verkauf von tiefgefrorenen Lebensmittel direkt vom Kühlgerät, im Handel, in Geschäften, in der Gemeinschaftsverpflegung, Kiosken und Supermärkten vorgesehen.

Das Durchlesen der Gebrauchsanweisung ermöglicht Ihnen, dass Sie die volle Leistungsfähigkeit Ihrer Gefriertruhe richtig nutzen und es Ihnen jahrelang zu Diensten steht.

Bei jedem Produktionsprozess Ihres Gerätes wurden „umweltfreundliche“ Technologien benutzt und nicht lebensschädliches Material und Gase bevorzugt.

Bitte lesen Sie diesen Gebrauchsanweisung um die volle Leistungsfähigkeit Ihres Gerätes zu nutzen und mögliche Anwendungsfehler zu vermeiden, sorgfältig und vollständig durch.

Kontrollieren Sie das Gerät unmittelbar nach Erhalt auf Schäden. Sollte ein Schaden eingetreten sein, müssen Sie sich innerhalb von 24 Stunden an Ihren Händler wenden.

Achtung! Ihr Gerät muss mindestens nach 2 Stunden nach irgendeinem Transport in Betrieb genommen werden.

3. SICHERHEIT UND MASSNAHMEN VOR DER ERSTEN INBETRIEBNAHME

Ihre Gefriertruhe muss unbedingt an eine geerdeten Steckdose angeschlossen sein.

Vor der Inbetriebnahme lassen Sie von der Kundenservice oder qualifizierten Fachleute die Erdung und die Netzspannung kontrollieren. Falls das Speisekabel beschaedigt ist, muss es durch den Hersteller oder sein autorisierter Service oder aehnlich qualifizierte Person ersetzt werden, um jede mögliche Gefahr zu vermeiden.

Betriebsspannung und Betriebsfrequenz Ihrer Gefriertruhe ist auf dem Typenschild zu sehen.

Verwenden Sie keine Verlängerungskabel und Dreifachstecker.

Der Netzanschluß an das der gefriertruhe angeschlossen werden soll muß ein Kriechstrom-Relais haben.

Nehmen Sie niemals eine Reparatur in das Geraet vor, solange sich der Stecker noch in der Steckdose befindet.

Ihre Gefriertruhe sollte nicht in der Naehe von Waermequellen aufgestellt werden. Vermeiden Sie direkte Sonnenbestrahlung.

Starten Sie den Gefriertruhe auf einer ebenen Fläche. Stellen Sie es auf die Oberfläche und prüfen Sie mithilfe einer Wasserwaage, daß es eben aufgestellt ist.

Vergessen Sie nicht, das die UV-Strahlen, die Getraenke und Nahrungsmittel in Gefriertruhe, beeinträchtigen.

Falls nicht anders angegeben, stellen Sie Ihren Kühler nicht auf offenen Stellen, wo Wasser eindringen kann.

Während der Reinigung des Produkts und seiner Umgebung, benutzen Sie nicht Druckwasser oder Schlauch, wischen Sie mit einem feuchten Tuch ab. Andernfalls kann das Wasser, das in elektrischen Komponenten des Produkts eindringt, Stromschläge und Brandgefahr verursachen.

Die Kinder sollten nicht in das Geraet hineingehen und nicht der Naehe des Geraetes spielen.

Die Nylonbeutel für das Gebrauchsanweisung und Zubehöre und das Schlüssel sollte nicht in die Haende von Kindern gelangen.

Explosionsstoffe und brennbare Stoffe nicht in Ihre Gefriertruhe aufbewahren.

Das Geraet vor der Inbetriebnahme reinigen und innere Entwaesserungszapfen aus Gummi aufsetzen (Teil 7 Bild D).

Das Geraet kann bei einer Umgebungstemperatur von maximum 32 °C betrieben werden.

Rechts neben Ihrem Kühlschranks befindet sich das Kompressor-Fach mit den mechanischen und elektrischen Komponenten, welches mit Rollladen bedeckt ist. Damit die Luftzirkulation dieses Faches Ihres Kühlschranks richtig funktionieren kann, sollten Sie zwischen der Fläche mit den Rollladen und den Wänden, Stellwänden, einen anderen Kühler, welche die Luft behindern würden, minimal ein Abstand von 40 cm halten. Die Behinderung der Luftzirkulation kann die Kühlleistung, den Elektrizitätsverbrauch, den Lärmpegel und ähnliche Werte im negativen Sinne beeinflussen.

Zwischen den Produkten, die Sie in den Kühlschrank einräumen sollte minimal ein Freiraum von 15mm sein. Übertriebene und eng aneinander gestellte Produkte im Kühlschrank können die Leistungen nachteilig beeinflussen.

Das Geraettür nicht sehr viel öffnen, nicht sehr viele Nahrungsmittel einlagern und überschreiten sie die „maximale Ladelinie“ nicht.

Falls irgendein feuergefährliches Gas (R290, R600a) in Ihre Gefriertruhe benutzt wird;

Halten Sie alle Ventilation-Öffnungen im Gerät offen;

Greifen Sie das abkühlende System Ihres Gerätes nicht ein;

Benutzen Sie keine Vorrichtung, oder andere Mittel um den Entfrost-Prozess zu beschleunigen;

Benutzen Sie keine elektrische Vorrichtung innerhalb des Nahrungsmittelfaches des Gerätes;

Als die Lebenszeit Ihres Produktes endet und das Produkt entsorgt werden soll, beraten Sie bitte den lokalen autorisierten Service, um das Kühlmittel Ihres Produktes zu entladen.

Damit die Warmluft von unten her wirkungsvoll zirkulieren kann sollte der obere Bereich des Gefriertruhe frei gehalten werden.

Dieses Gerät darf von Kindern ab 8 Jahren sowie Personen mit herabgesetzten physischen, sensorischen oder geistigen Fähigkeiten und Mangel an Erfahrung und Kenntnissen nur unter Aufsicht oder nach ausreichender Einweisung durch eine für ihre Sicherheit verantwortliche Person verwendet werden. Kinder dürfen nicht mit dem Gerät spielen. Kinder dürfen das Gerät nicht unbeaufsichtigt reinigen oder warten.

PRÜFEN SIE VOM TYP ETIKETTE DAS GASTYP VON DEM KÜHLER: R134a, R600a bzw. R290

NUR GÜLTIG FÜR MODELLE R600a oder R290 MIT GASINHALT:

R600a/R290 Gase wurden bei manche Modellen die in diesen Bedienungsanleitung beschrieben ist verwendet. R600a/R290 sind Umweltfreundliche Gase die in der Kühlungstechnik Verwendung findet. Diese Gase sind leicht entflammbar. Halten Sie folgende Vorschriften ein um normale Betriebseigenschaften zu erhalten:

WARNUNG : Um Verstopfungen zu verhindern halten Sie die vordere Seite von allen Lüfter an der Innen oder Außenseite des Gehäuses frei.

WARNUNG : Falls Vereisung vorkommt benutzen Sie keinen Mechanischen Gerät um die Schmelzung zu beschleunigen.

WARNUNG : Beschädigen Sie nicht die Kühlungskreislauf.

WARNUNG : Benutzen Sie keine Elektrische Geräte innerhalb des Kühlers.

WARNUNG : Zur Verminderung der Entzündungsgefahr darf die Installation dieser Vorrichtung ausschließlich durch einen qualifizierten Fachmann durchgeführt werden.

Sämtliche Reparatur, Wartung oder sonstige arbeiten dürfen nur von Autorisierten Service vorgenommen werden.

Gegen eventueller Vereisung oder Schneebildung schalten Sie die Stromversorgung ab und lassen Sie es unter natürlicher Abtaung.

Bevorzugen Sie nur Originalkomponenten für eventuelle Teilwechsel.

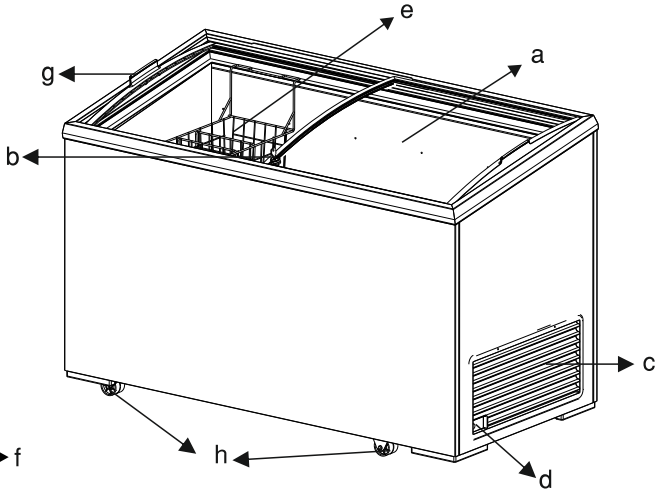
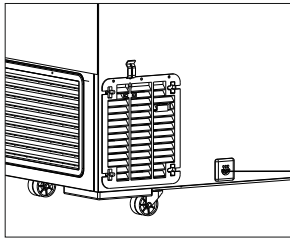
GEEIGNETE ENTSORGUNG DES KÜHLSCHRANKES:

Bevor Sie ihren alten Kühlschrank oder Ihre Tiefkühltruhe entsorgen

- Um zu verhindern, dass kleine Kinder oder Tiere in diesem Kühlschrank oder anderen eingeschlossen bleiben, entfernen sie die Tür, die Türgummis und den Türgriff.
- Lassen sie die Regale im Schrank, um zu vermeiden, dass Kinder in den Schrank steigen.
- Wenn als Kühlungseinheit R600a/R290 benutzt wurde, treten sie für die sichere Entsorgung dieser Produkte bitte mit den örtlichen Behörden in Kontakt.
- Als Isolationssprühgas wurde SikloPentan benutzt. Gase in Isolationsmaterialien benötigen eine spezielle Entsorgung. Bitte entsorgen sie die Verpackung dieses Produktes umweltfreundlich. Um dieses Produkt sicher für die Umgebung zu entsorgen, treten sie bitte mit örtlichen Behörden in Kontakt. Wenn R600a/R290 benutzt wurde, dann beinhaltet dieses Produkt brennbares Isolationssprühgas.
- Das Kühlungs- und Isolationsmaterial das in Kühlschränken und Tiefkühltruhen benutzt wird, benötigt spezielle Entsorgungsmaßnahmen. Seien sie sicher, dass keine der Rohre am hinteren Bereich des Gerätes nicht beschädigt sind.

4. TECHNISCHE EIGENSCHAFTEN DER GEFRIERTRUHE

- a- Glasdeckel
- b- Deckelverschluss
- c- Motorraum
- d- Kontrolllampe
- e- Aufbewahrungskorb
- f- Entwaesserungsmittel
(ausser Modell D 152 DFSG)
- g- Deckelgriff
- h- Raeder
(ausser Modell D 152 DFSG)



TECHNISCHE IGENSCHAFTEN		D 152 DFSG			
		FF	FC	AF	AC
Betriebstemperatur	°C	-13/-23	-13/-23	-13/-23	-13/-23
Klimaklasse		Schauen Sie sich das Namenschild an...			
Energieverbrauch	kwh/24h				
Leistung	W				
Spannung/Frequenz	V/hz				
Aussenmassen	LxWxH (mm)	585x635x820	585x635x820	585x635x820	585x635x820
Innermassen	LxWxH (mm)	460x510x665	460x510x665	460x510x560	460x510x560

TECHNISCHE IGENSCHAFTEN		D 200 DFSG			
		FF	FC	AF	AC
Betriebstemperatur	°C	-13/-23	-13/-23	-13/-23	-13/-23
Klimaklasse		Schauen Sie sich das Namenschild an...			
Energieverbrauch	kwh/24h				
Leistung	W				
Spannung/Frequenz	V/hz				
Aussenmassen	LxWxH (mm)	725x635x875	725x635x875	725x635x875	725x635x875
Innermassen	LxWxH (mm)	600x510x665	600x510x665	600x510x560	600x510x560

Die Werte, die in den Tabellen oben angegeben sind, sind den Standart-Produkten nach angegeben und können optionell auch Änderungen zeigen.

Das Namenschild befindet sich im Schrank-Kühlerbereich

Bitte sehen Sie die letzte Seite der Anleitung für ein Muster des Namensschildes.

TECHNISCHE EIGENSCHAFTEN		D 300 DFSG			
		FF	FC	AF	AC
Betriebstemperatur	°C	-13/-23	-13/-23	-13/-23	-13/-23
Klimaklasse		Schauen Sie sich das Namenschild an...			
Energieverbrauch	kwh/24h				
Leistung	W				
Spannung/Frequenz	V/hz				
Aussenmassen	LxWxH (mm)	1015x635x875	1015x635x875	1015x635x875	1015x635x875
Innermassen	LxWxH (mm)	890x510x665	890x510x665	890x510x560	890x510x560

TECHNISCHE EIGENSCHAFTEN		D 400 DFSG			
		FF	FC	AF	AC
Betriebstemperatur	°C	-13/-23	-13/-23	-13/-23	-13/-23
Klimaklasse		Schauen Sie sich das Namenschild an...			
Energieverbrauch	kwh/24h				
Leistung	W				
Spannung/Frequenz	V/hz				
Aussenmassen	LxWxH (mm)	1305x635x875	1305x635x875	1305x635x875	1305x635x875
Innermassen	LxWxH (mm)	1180x510x665	1180x510x665	1180x510x560	1180x510x560

TECHNISCHE EIGENSCHAFTEN		D 500 DFSG			
		FF	FC	AF	AC
Betriebstemperatur	°C	-13/-23	-13/-23	-13/-23	-13/-23
Klimaklasse		Schauen Sie sich das Namenschild an...			
Energieverbrauch	kwh/24h				
Leistung	W				
Spannung/Frequenz	V/hz				
Aussenmassen	LxWxH (mm)	1555x635x875	1555x635x875	1555x635x875	1555x635x875
Innermassen	LxWxH (mm)	1430x510x665	1430x510x665	1430x510x560	1430x510x560

Die Werte, die in den Tabellen oben angegeben sind, sind den Standard-Produkten nach angegeben und können optionell auch Änderungen zeigen.

Das Namenschild befindet sich im Schrank-Kühlerbereich

Bitte sehen Sie die letzte Seite der Anleitung für ein Muster des Namensschildes.

Klima Klasse			
Stufe	Temperatur °C	Relative Luftfeuchtigkeit in %	Taupunkt °C
0	20	50	9,3
1	16	80	12,6
2	22	65	15,2
3	25	60	16,7
4	30	55	20,0
5	27	70	21,1
6	40	40	23,9
7	35	75	30,0
8	23,9	55	14,3

5. MONTAGE / ERSTE INBETRIEBNAHME DER GEFRIERTRUHE

Um volle Leistungsfähigkeit des Gerätes zu nutzen, muss das Gerät ausreichend Zuluft erhalten. Placieren Sie Ihre Gefriertruhe, indem Sie ihn nach hinten schieben. Der Abstand um das Gerät herum muss mindestens 10cm sein. Dann stecken Sie den Stecker in die Steckdose.

6. BEDIENUNG DER GEFRIERTRUHE

Kontrollpaneel:

- Grüne Lampe (c): Die grüne Lampe zeigt an, dass Ihre Gefriertruhe an die Stromversorgung angeschlossen ist und in Betrieb ist.

Schaltungslampe Grün ←



Thermostateinstellung:

Der Thermostatschalter, der sich im Motorraum befindet ist vom aussen nicht zu sehen. Der Thermostat ist werkseitig eingestellt. Ändern Sie die Thermostateinstellung nicht. Wenn Sie die Thermostateinstellung ändern wollen, rufen Sie die nächstgelegene Kundendienst.

Thermostatschalter ←



Einpacken:

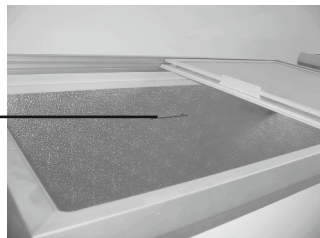
Die Nahrungsmittel müssen fest mit Einpackungsmaterial (Plastik- oder Aluminiumfolie) eingepackt sein. Die deckellosen Töpfe müssen mit doppelschichtiger Folie umhüllt sein. Weil die flüssigen und die weichen Nahrungsmittel, beim Frieren 1/10 ausdehnen, müssen die Töpfe nicht bis zum Rand ausgefüllt werden.

Die zu erfrierenden Pakete müssen etikettiert werden und zu diesem Zweck können selbstklebenden Etikette benutzt werden. Auf die Etikette müssen das Gefrierdatum, die Menge, das Verfalldatum und die maximale Aufbewahrungszeit aufgeschrieben sein.

Nahrungsmittelinlagerung:

Bewahren Sie Lebensmittel die einen längeren Zeitraum aufbewahrt werden sollen im unteren Teil der Tiefkühltruhe; lagern Sie Lebensmittel die schnell verbraucht werden sollen im oberen Teil.

Maximum Ladelinie ←



Um die volle Leistungsfähigkeit Ihrer Gefriertruhe zu nutzen und die Nahrungsmittel gesund aufzubewahren, müssen zwischen oberem Deckel und Nahrungsmittelpakete genügend Freiraum verbleiben. Deswegen muss die maximale Ladelinie nicht überschritten werden.

Zu beachtende Bedingungen:

Um Qualität zu erhalten, müssen alle die gelagerten Lebensmittel luftdicht und beständig gegen Kälte, Feuchte, Geruch, Fett und Säure verpackt sein.

7. REINIGUNG, WARTUNG UND TRANSPORT DER GEFRIERTRUHE

Damit Sie die volle Leistungsfähigkeit Ihrer Gefriertruhe richtig nutzen, reinigen Sie Ihr Gerät mindestens einmal im Jahr. Ziehen Sie vor jeder Reinigung den Stecker aus der Steckdose.

Abtauprozess:

Wenn Sie die Tür Ihres Gerätes nicht sehr offen aufmachen und die Nahrungsmittel in Behälter aufbewahren, wird die Eisbildungszeit sehr langsam sein.

Die Eisbildung auf Innenwänden verhindert, dass Sie die volle Leistungsfähigkeit Ihrer Gefriertruhe richtig nutzen. Wir empfehlen Ihnen das Eis aufzulösen, wenn die Eisschichtdicke 5-6 cm erreicht hat. Vor 24 Stunden des Abtauprozesses stellen Sie Ihre Gefriertruhe auf fast-freeze Position ein. Danach nehmen Sie die Pakete heraus und packen Sie sie gesondert in Papier ein und bewahren Sie diese Nahrungsmittel in der Eisschrank Ihrer Kühlschrank. Somit werden Ihre Nahrungsmittel während des Abtau- und Reinigungsprozesses aufbewahrt.

Bild A



Bild B

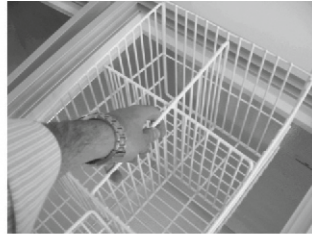


Bild C

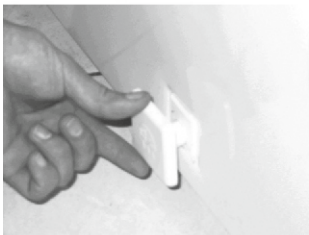
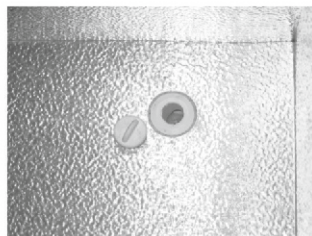


Bild D



Um das Wasser während des Abtauprozesses, das in Ihrer Gefriertruhe gesammelt hat zu entleeren;
Stufe 1: Nehmen Sie den Korb, der sich in Ihrer Gefriertruhe befindet heraus, indem Sie es nach oben ziehen (Bild A-B).

Stufe 2: Drehen Sie den Entwaesserungszapfen, der sich in der vorderen-unteren Seite befindet, 90° Grad links (Viertel-Tour) und ziehen Sie ihn 2-3 cm heraus und lassen Sie ihn so. (Bild C) Wenn Sie nicht wollen, das das Entwaesserungswasser nicht mit Druck entleert wird, können Sie den Zapfen herausnehmen und das Entwaessern beschleunigen.

Stufe 3: Öffnen Sie den Zapfen, der sich auf dem Boden der inneren Körper befindet (Bild D).

ACHTUNG! Weil der Gefriertruhe beschadigt werden kann nie warmes Wasser, Waermequelle, spitze oder scharfe Gegenstaende anwenden.

Verschliesseigenschaften der Glasdeckel

Verschliessung

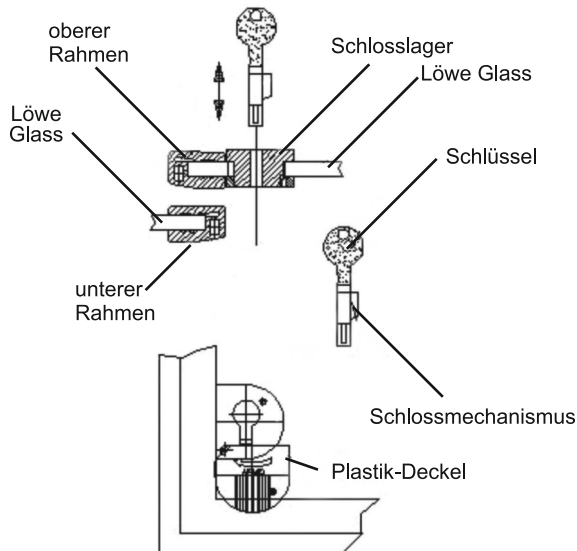
- Verschlussmechanismus besitzt zwei Riegel. Als der Schlüssel nicht im Schloss gesteckt ist, zwischen zwei Riegel befindet sich Winkel von 90°. Nachdem Sie den Schlüssel in den Schlüssel stecken, können die Riegel, die aufrecht zueinander stehen, in die gleiche Höhe eingestellt werden.
- Sie können den Schlosslager öffnen, indem Sie den Plastikdeckel der Schlosslager im Uhrzeigersinn drehen.
- Beim Verschliessen müssen Sie sicher sein, dass die Türen gut geschlossen sind. Setzen Sie den Verschlussmechanismus und den Schlüssel zusammen in den Schlosslager, wie im Bild (Bild E) zu sehen, ein, Drehen Sie den Schlüssel im Uhrzeigersinn, somit sind die Deckel verschlossen. Danach können Sie Ihren Schlüssel heraus nehmen.

Öffnen

- Um den Deckel zu öffnen, stecken Sie Ihren Schlüssel in den Verschlussmechanismus und drehen Sie ihn bis zum Ende gegen den Uhrzeigersinn. Falls Ihr Schlüssel in Loch eingeklemmt ist, drehen Sie leicht im oder gegen den Uhrzeigersinn.
 - Ziehen Sie den Schlüssel und den Verschlusslager zusammen.
- Somit öffnen sich die Deckel.

Es wird empfohlen den Schlüssel nicht von der Verschlussmechanismus zu trennen. Decken Sie den Schlosslager mit dem Plastikdeckel zu, der sich im Schlosslager befindet, wenn Ihre Truhe nicht geschlossen ist.

BILDE



Urlaub / Vorübergehende Ausserbetriebsetzung:

Wenn Sie kurze Zeit ins Urlaub gehen oder das Geraet kurze Zeit nicht benutzen werden, ziehen Sie den Stecker Ihrer Gefriertruhe nicht aus der Steckdose. Sollte Ihre Gefriertruhe für einige Zeit nicht betrieben, wird empfohlen, die Kühlwaren aus dem Geraet herauszunehmen und nach der Abtauprozess, diesen zu reinigen und zu trocknen. Lassen Sie die Tür zum Zwecke der Lüftung angelehnt.

Transport: Ziehen Sie den Stecker waehrend der Transport aus der Steckdose; lassen Sie abtauen und reinigen Sie die Innenwaende und den Boden mit einem feuchten Tuch. Stellen Sie die Plastikverstaerkungen zwischen oberer Deckel und Körper und so können Sie transportieren.

Achtung: Weil bei der Isolation des Geraetes, Ausdehnungsgase (C-Pentane) verwendet wurde, muss im Falle der Entsorgung der Display-Gefriertruhe auf die geltenden Bestimmungen in Ihrem Land geachtet werden.

8. BEVOR SIE DEN KUNDENDIENST RUFEN

- Sollte der Kompressor dauernd funktionieren überprüfen Sie:
Ob der Umgebungstemperatur über 32 0C ist, ob die Luftzirkulation im Kompressorraum vermieden ist oder gereinigt werden muss. Ob die Geraetetür sehr viel geöffnet oder lange offen gehalten wird.
- Sollte die grüne Lampe nicht leuchten und der Gefriertruhe nicht funktioniert;
überprüfen Sie ob eine Elektrausfall gibt und der Stecker in der Steckdose sitzt.
- Sollte die Gefriertruhe mit Geraeusch arbeiten:
überprüfen Sie mit der Wasserwaage ob das Geraet richtig placiert ist.
- Sollte Ihre Gefriertruhe übelriechen; Reinigen Sie Ihr Geraet in der kürzesten Zeit.
- Sollte Tau auf dem Rahmen Ihrer Gefriertruhe sein;
Es kann bei sehr feuchten Umgebungen kurzfristige Tau abgebildet sein.

Wenn Ihre Gefriertruhe gemaess sachgemaessen Gebrauch und nach oben genannte Kontrollen immer noch nicht funktioniert, fordern Sie den Kundendienst an.

9. KOMPATIBILITAETSSTANDARD DER PRODUKTE

Die Gefriertruhe, die in dieser Gebrauchsanweisung angeführt sind, sind gemaess Standards

TS EN ISO 23953-1
TS EN ISO 23953-2
TS EN 60335-2-89
IEC 60335-2-89
2006/95/EC,
2004/108/EC

Gebildet in der Türkei

1. ОГЛАВЛЕНИЕ

1. Глава: Оглавление
2. Глава: Введение
3. Глава: Инструкция по безопасности перед запуском оборудования
4. Глава: Техническая характеристика морозильного ларя
5. Глава: Установка и запуск морозильного ларя
6. Глава: Эксплуатация морозильного ларя
7. Глава: Очистка, обслуживание и перевозка морозильного ларя
8. Глава: До вызова персонала техобслуживания
9. Глава: Стандарты соответствия продукции

2. ВВЕДЕНИЕ

Эти Морозильные камеры для замороженных продуктов предназначены для непродолжительного хранения, демонстрации и продажи непосредственно из морозильного ларя упакованных пищевых продуктов на предприятиях торговли и общественного питания, в продовольственных магазинах, киосках, рынках

Перед эксплуатацией морозильного ларя, который вы приобрели, Вам рекомендуется внимательно прочитать руководство по эксплуатации для получения максимальной пользы от продукции, произведенной с расчетом на долгие годы службы..

В ходе производства морозильного ларя была использована экологически чистая технология и были выбраны материалы газы, которые не причиняют никакого ущерба окружающей среде

Прочитайте пожалуйста внимательно данное руководство по эксплуатации для получения максимальной пользы от морозильного ларя и во избежание ошибок его работы.

Приобретя морозильный ларь удостоверьтесь в отсутствии обусловленных транспортировкой повреждений. В случае обнаружения повреждений обратитесь не позже чем через сутки к авторизованному поставщику, у которого вы приобрели данную продукцию.

Внимание! После любой перевозки морозильный ларь должен быть запущен не раньше чем через 2 часа.

3. ИНСТРУКЦИЯ ПО БЕЗОПАСНОСТИ ПЕРЕД ЗАПУСКОМ ОБОРУДОВАНИЯ

Морозильный ларь может быть приведен в эксплуатацию только при розетке с заземлением

Перед пуском дайте электрику или сотруднику техобслуживания проверить, сделано ли заземление в розетке, как положено, есть ли в сети соответствующее рабочее напряжение. При поврежденном кабеле питания/неисправной штепсельной вилке обратитесь в центр техобслуживания за их заменой. В случае повреждения блока питания, целях безопасности, этот блок питания должен быть отремонтирован или заменен производителем или его сервисным службой или персоналом с соответствующими полномочиями.

Не используйте удлинители и разветвители.

Предусмотрите защитное реле против утечки электротока в линии электропитания, к которой подключается холодильник со стеклянной дверью.

Рабочее напряжение и рабочие частоты приведены на аннотационной табличке на оборудовании

В случае отсутствия указания о противопожарном, не размещайте холодильный шкаф в открытые места, где может попасть в него вода.

Во время очистки продукции и окружения: не мойте водой под напором или со шланга, используйте влажную тряпку. В противном случае вода, которая может попасть в электрические детали, может вызвать риск удара током или пожара.

Не рекомендуется производить ремонтных работ и обслуживания при подключении оборудования к сети.

Установите холодильник со стеклянной дверью на ровном месте. При помощи водяного нивелира убедитесь, что основание ровное.

Не устанавливайте морозильный ларь вблизи источников тепла и избегайте непосредственного попадания на него солнечных лучей. Не забывайте, что солнечные ультрафиолетовые лучи могут оказать воздействие на продукты, хранящиеся в морозильном ларе с прозрачной створкой.

Прибор можно использовать при температуре 32 °С.

С правой стороны вашего шкафа находится отдел компрессора с механическими и электрическими деталями, закрытый пластиковой решеткой. Для удерживания достаточного уровня циркуляции воздуха в этом отделе, поместите прибор так, чтобы между решеткой шкафа и стеной, ширмой, другим морозильником было расстояние как минимум 40см. Препятствование нормальному потоку воздуха негативно влияет на эффективность охлаждения, потребление электроэнергии, уровень звука и другие значения.

Между продукцией или упаковками продукции, помещаемой в холодильник, необходимо оставлять промежуток минимум 15 мм. Чрезмерное и плотное заполнение холодильника негативно влияет на его эффективность.

Все компоненты, вырабатывающие холод, размещены в нижней части морозильного ларя. Обеспечение в этой части циркуляции воздуха имеет значение для производительности морозильного ларя. В связи с этим при установке морозильного ларя необходимо оставить расстояние не меньше пяти см. около него.

Не разрешайте детям залезать в морозильный ларь и играть возле него. Храните в недоступном для детей месте входящие в комплект принадлежности к морозильному ларю и целофановые пакеты с руководством по эксплуатации и также ключи от морозильного ларя

В морозильном ларе не подлежат хранению взрывчатые и легковоспламеняющиеся предметы. Перед началом эксплуатации протрите внутреннюю часть морозильного ларя.

С целью обеспечения эффективной циркуляции горячего воздуха снизу, оставьте свободным верхнюю часть холодильника со стеклянной дверью.

Данный прибор разрешается использовать детям 8 лет и старше под присмотром лица, отвечающего за их безопасность, и лицам с физическими, психическими и нервными отклонениями или лицами, не имеющими достаточных знаний и опыта, при условии осознания всех видов опасностей и с соблюдением инструкций. Не разрешайте детям играть с прибором. Очистка и уход пользователя не разрешается выполнять детям без присмотра взрослых.

**ОБЯЗАТЕЛЬНО ПРОВЕРЬТЕ ПО ЭТИКЕТКЕ КАКОЙ ВИД ГАЗА СОДЕРЖИТ ВАШ ХОЛОДИЛЬНИКОВ :
R290, R600A ИЛИ R134A**

ДЛЯ МОДЕЛЕЙ ХОЛОДИЛЬНИКОВ, СОДЕРЖАЩИХ ГАЗ R600a ИЛИ R290:

Газ R600a / R290 был использован для некоторых моделей холодильников.

Газ R600a /R290 является безвредным газом для окружающей среды и эффективно применяется в холодильных технологиях. Этот газ в некоторых ситуациях может воспламеняться. Для обеспечения нормальной рабочей обстановки нужно соблюдать нижеприведенные правила.

ПРЕДУПРЕЖДЕНИЕ : Все вентиляторы во внутренней и наружной части холодильника освободите от вещей, которые могут препятствовать работе.

ПРЕДУПРЕЖДЕНИЕ : Для ускорения времени размораживания ни в коем случае не использовать механические предметы.

ПРЕДУПРЕЖДЕНИЕ : Не повредить циклу охлаждения.

ПРЕДУПРЕЖДЕНИЕ : Не хранить электрические приборы в шкафу для продуктов.

ПРЕДУПРЕЖДЕНИЕ : В целях снижения риска возгорания, установка должна проводиться квалифицированным специалистом.

Не проводить ремонтные работы некомпетентными лицами, за исключением сервисной службы аппарата.

При замораживании или образовании морозных слоев нужно отключить аппарат для размораживания.

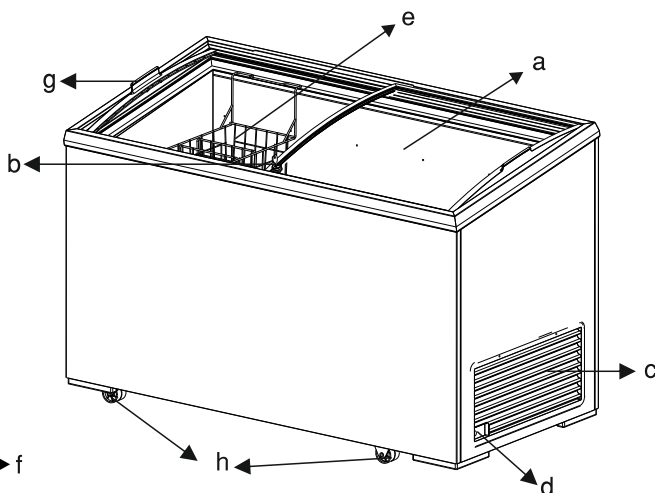
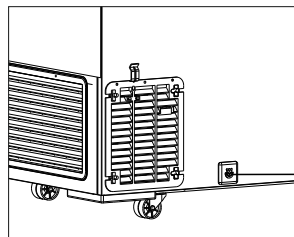
При необходимости замены частей рекомендуется использовать оригинальные части.

ПРАВИЛЬНЫЙ ВЫВОЗ/УТИЛИЗАЦИЯ ХОЛОДИЛЬНИКОВ:

- Перед утилизацией старых холодильников или морозильников:
- При утилизации этого или другого холодильника снимите или выведите из строя дверь, уплотнение двери, пружинные замки/защелки, чтобы предотвратить возможность случайного запираения играющих детей и маленьких зверей в холодильнике с риском для жизни.
- Для избежания входа детей в холодильник, полки не снимать с места.
- Если в качестве хладагента были использованы R600a/R290, то при утилизации этого холодильника свяжитесь с местными компетентными организациями.
- В качестве изолирующего вещества использован циклопентан. Газы, имеющиеся в газовом разделе изоляционного материала, требуют применения особых процедур утилизации. Пожалуйста, утилизируйте упаковку продукции с соблюдением экологических условий. Пожалуйста, обратитесь к местным компетентным организациям для безопасной утилизации продукции. Если были использованы хладагенты R600a/R290, то эта продукция содержит огнеопасные изолирующие газы.
- Хладагенты и специальные изолирующие газы, использованные в холодильниках/ морозильниках, требуют применения особых условий утилизации. Перед утилизацией нужно убедиться в том, что на трубах сзади холодильника не имеются какие-либо повреждения.

4. ТЕХНИЧЕСКАЯ ХАРАКТЕРИСТИКА ГОРИЗОНТАЛЬНОГО МОРОЗИЛЬНОГО ЛАРЬА

- a- Стекла́нная створка
- b- Замок для створки
- c- Технический отсек
- d- Контрольная лампочка
- e- Корзинка для хранения
- f- Место для слива воды
(кроме модели D 152 DFSG)
- g- Рукоять створки
- h- Ролики
(кроме модели D 152 DFSG)



ТЕХНИЧЕСКАЯ ХАРАКТЕРИСТИКА		D 152 DFSG			
		FF	FC	AF	AC
Рабочая температура	°C	-13/-23	-13/-23	-13/-23	-13/-23
Категория климата		См. типовой ярлык...			
Расход электроэнергии	kwh/24h				
Мощность	Ватт				
Напряжение/частота	Вольт/Гц				
Наружные габариты	LxWxH (mm)	585x635x820	585x635x820	585x635x820	585x635x820
Внутренние габариты	LxWxH (mm)	460x510x665	460x510x665	460x510x560	460x510x560

ТЕХНИЧЕСКАЯ ХАРАКТЕРИСТИКА		D 200 DFSG			
		FF	FC	AF	AC
Рабочая температура	°C	-13/-23	-13/-23	-13/-23	-13/-23
Категория климата		См. типовой ярлык...			
Расход электроэнергии	kwh/24h				
Мощность	Ватт				
Напряжение/частота	Вольт/Гц				
Наружные габариты	LxWxH (mm)	725x635x875	725x635x875	725x635x875	725x635x875
Внутренние габариты	LxWxH (mm)	600x510x665	600x510x665	600x510x560	600x510x560

Указанные в таблице/таблицах выше значения представлены для стандартной продукции и могут меняться в зависимости от опционных характеристик.

Типовая этикетка находится в морозильной камере холодильника.

Для образца типовой этикетки, пожалуйста, посмотрите на последнюю страницу инструкции по применению.

ТЕХНИЧЕСКАЯ ХАРАКТЕРИСТИКА		D 300 DFSG			
		FF	FC	AF	AC
Рабочая температура	°C	-13/-23	-13/-23	-13/-23	-13/-23
Категория климата		См. типовой ярлык...			
Расход электроэнергии	kwh/24h				
Мощность	Ватт				
Напряжение/частота	Вольт/Гц				
Наружные габариты	LxWxH (mm)				
Внутренние габариты	LxWxH (mm)	890x510x665	890x510x665	890x510x560	890x510x560

ТЕХНИЧЕСКАЯ ХАРАКТЕРИСТИКА		D 400 DFSG			
		FF	FC	AF	AC
Рабочая температура	°C	-13/-23	-13/-23	-13/-23	-13/-23
Категория климата		См. типовой ярлык...			
Расход электроэнергии	kwh/24h				
Мощность	Ватт				
Напряжение/частота	Вольт/Гц				
Наружные габариты	LxWxH (mm)				
Внутренние габариты	LxWxH (mm)	1180x510x665	1180x510x665	1180x510x560	1180x510x560

ТЕХНИЧЕСКАЯ ХАРАКТЕРИСТИКА		D 500 DFSG			
		FF	FC	AF	AC
Рабочая температура	°C	-13/-23	-13/-23	-13/-23	-13/-23
Категория климата		См. типовой ярлык...			
Расход электроэнергии	kwh/24h				
Мощность	Ватт				
Напряжение/частота	Вольт/Гц				
Наружные габариты	LxWxH (mm)				
Внутренние габариты	LxWxH (mm)	1430x510x665	1430x510x665	1430x510x560	1430x510x560

Указанные в таблице/таблицах выше значения представлены для стандартной продукции и могут меняться в зависимости от опционных характеристик.

Типовая этикетка находится в морозильной камере холодильника.

Для образца типовой этикетки, пожалуйста, посмотрите на последнюю страницу инструкции по применению.

Климатические Классы			
Класс	Температура °C	Относительная Влажность в %	Температура Таяния °C
0	20	50	9,3
1	16	80	12,6
2	22	65	15,2
3	25	60	16,7
4	30	55	20,0
5	27	70	21,1
6	40	40	23,9
7	35	75	30,0
8	23,9	55	14,3

5. УСТАНОВКА МОРОЗИЛЬНОГО ЛАРЯ/ ЕГО ЗАПУСК

Для получения максимальной пользы от работы морозильного ларя необходима циркуляция воздуха с задней стороны.

Установить морозильный ларь, подтолкая его назад.

Оставить расстояние мин. 10 см. передней, задней и боковых сторон.

Включить штепсельную вилку в розетку

6. ЭКСПЛУАТАЦИЯ МОРОЗИЛЬНОГО ЛАРЯ :

Контрольная панель :

На контрольной панели расположена

Зеленая лампочка и она означает поступление тока в морозильный ларь, то есть он включен

ЗЕЛЕНАЯ ЛАМПОЧКА
ВКЛЮЧЕНО»



Регулировка термостата:

Регулятор термостата расположен в технологическом отсеке и его не видно снаружи. Регулятор термостата установлен производителем при поставке на значение, соответствующее оптимальной эксплуатации данной модели ларя. Не играйте с регулятором термостата. При желании переменить значение термостата обратиться в ближайший центр техобслуживания.

Регулятор термостата



Упаковывание:

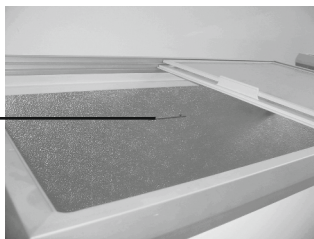
Упаковочные материалы (целлофан или алюминиевая фольга) должны облегать продукты питания так, чтобы в них не попал воздух.

Посуда без крышки должна быть покрыта сверху двойным слоем фольги и по горлышку должна быть обвязана резинкой.

Продукты в виде жидкости и пасты при замораживании расширяются в пропорции 1 к 10. Поэтому посуду, содержащую такого рода продукты заполнить не до краев.

Все упаковки, подлежащие замораживанию должны иметь на себе этикетки. С этой целью можно использовать наклейки. На этикетках можно указать дату замораживания, количество, срок годности и максимальный срок для хранения продукта в камере.

Линия предельной загрузки



Размещение продуктов:

Продукты, подлежащие более длительному хранению, разместите в нижней части камеры, а продукты, предназначенные для реализации в первую очередь в верхней части камеры. Для получения максимальной пользы от работы оборудования и обеспечения нормального хранения продуктов должно быть расстояние между верхней крышкой и упакованными продуктами. Поэтому не переходить линию предельной загрузки, помеченную на стенке.

Следует принять во внимание следующее:

Пищевые продукты, хранящиеся в морозильной камере должны иметь прочную воздухопроницаемую упаковку, устойчивую к холоду, воздействию влаги, запахов, жира и кислоты, для сохранения качества.

7. Очистка, обслуживание и перевозка морозильного ларя

Для получения оптимальной пользы от работы морозильного ларя производить обслуживание и чистку его по крайней мере раз в год.

Перед началом чистки отключите камеру от розетки.

Размораживание:

Лёд в ларе будет образовываться медленнее, если вы створку ларя открываете не так часто и храните продукты в герметичных упаковках. Лёд, образующийся со временем на внутренних стенах ларя, приведет к снижению производительности его работы. Вам рекомендуется разморозить лед, как только толщина льда достигнет 5-6 мм. За сутки до того, как разморозить лёд, приведите настройку камеры в режим fast-freeze. Потом освободите ларь от продуктов для того, чтобы они не потеряли свою температуру заверните их в бумагу и переложите в морозильную камеру вашего морозильный ларя. На время размораживания льда и чистки ларя ваши продукты сохранятся.

Рисунок А



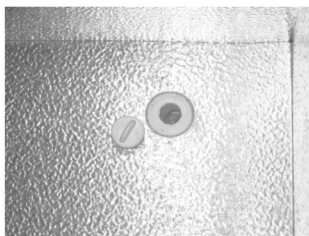
Рисунок В



Рисунок С



Рисунок D



Для слива воды, которая накопится в морозильной в течение размораживания

1 шаг: Нужно убрать внутреннюю перегородку (Рисунок А -Б), поднимая ее вверх

2 шаг: Втулку в передней нижней части камеры нужно повернуть налево на 90 градусов (на одну четверть поворота) и вытянуть наружу на 2-3 см., оставить в этом положении (Рисунок Б)Для ускорения слива воды втулку можно снять.

3 шаг: Внутри морозильной камеры на дне имеется каучуковый клапан для слива воды. Можно его открыть. Он прикреплен к дну, поэтому не рекомендуется прилагать больших усилий(Рисунок Д)

Внимание! Во избежание нанесения ущерба морозильной камере ни в коем случае не пользоваться горячей водой, электрообогревателем, режущими и тому подобными предметами

Стеклянные створки имеют особенность закрываться на замок:

Заккрытие на замок

•Замок имеет два язычка. Когда ключа нет в замке, оба язычка расположены под углом 90 градусов. После того, как вы вставите ключ в замочную скважину, вы можете привести расположенные под прямым углом язычки на один уровень.

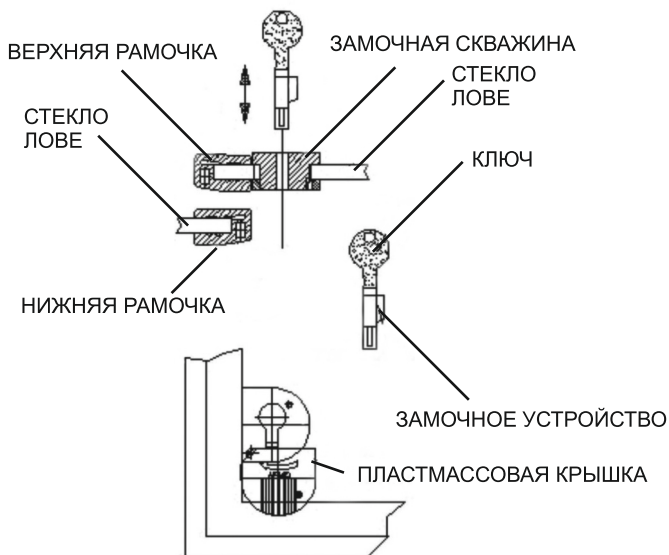
•Поварачивая слегка пластмассовую крышку замочной скважины по часовой стрелке, вы можете открыть ее.

•Для того, чтобы запереть створки, нужно удостовериться, что обе створки плотно закрыты. Замочное устройство и ключ вместе вставьте в замочную скважину, как изображено на рисунке Е. При повороте ключом по часовой стрелке створки будут заперты. Вы можете вынуть ключ из замка, поскольку он уже освобожден.

Открытие

Для того чтобы отпереть створки, вставьте аккуратно ключ в замочное устройство. Поверните до конца против часовой стрелки с небольшим усилием. Если замочное устройство застряло в замке, слегка поверните направо налево. Выньте вместе ключ и замочное устройство. Откроются створки. Вам рекомендуется не отсоединять ключ от замочного устройства. Кроме того, когда морозильный ларь не заперт, для того чтобы не допускать в морозильный ларь попадания воздуха и тому подобного, заблокируйте замочную скважину, поворачивая пластмассовую крышку

Рисунок Е



Выходные дни/перерыв в эксплуатации;

Если вы собираетесь прервать эксплуатацию морозильной камеры на короткое время, не отключайте ее от сети.

Если вы собираетесь прервать эксплуатацию морозильной камеры на длительный срок, отключите ее от сети, освободите от продуктов. После полной разморозки насухо протрите внутреннюю поверхность. Во избежание неприятного запаха оставьте створку открытой.

Перевозка:

Перед транспортировкой вынуть штепсельную вилку из розетки, разморозить ларь, протереть внутреннюю поверхность и дно влажной тряпкой, снимите стеклянные створки. Транспортировать ларь в обычном рабочем положении.

Внимание: Морозильный ларь содержит хладагент (C пентан), который подлежит обработке с целью вторичного использования при ремонте или демонтаже системы охлаждения. Поэтому перед сдачей отслужившего срок ларя в утиль примите во внимание действующие в вашей стране правила утилизации.

8. ДО ВЫЗОВА ПЕРСОНАЛА ТЕХОБСЛУЖИВАНИЯ

Если компрессор работает безпрерывно

• Проверьте, чтобы температура окружающей среды не превышала 32 градусов. Проверьте также, чтобы вентиляционная решетка находилась в чистом состоянии. Створку шкафа или часто открывают или надолго оставляют открытой.

• Зелёная индикаторная лампочка гаснет при неработающей камере
Проверьте наличие электроэнергии в сети, установлена ли штепсельная вилка в розетку.

• Работаящий морозильный шкаф издает громкий шум
Проверьте, чтобы морозильный шкаф был установлен равномерно, чтобы все ножки шкафа находились на одинаковом уровне на полу (с помощью ватерпаса)

• Морозильный шкаф излучает неприятный запах
Прочистите шкаф как можно скорее

• В случае, если наружные стенки корпуса запотели
При интенсивной влажности окружающей среды могут быть кратковременные запотевания поверхности. Не рекомендуется устанавливать морозильный шкаф во влажной окружающей среде.

Если ваш морозильный шкаф все равно не работает в случае соблюдения вами всех вышеуказанных инструкций, следует обратиться в центр техобслуживания.

9. СТАНДАРТЫ СООТВЕТСТВИЯ ПРОДУКЦИИ

Морозильные лары, приведенные в инструкции, произведены и испытаны в соответствии со стандартами

TS EN ISO 23953-1
TS EN ISO 23953-2
TS EN 60335-2-89
IEC 60335-2-89
2006/95/EC,
2004/108/EC

ПРОИЗВЕДЕНО В ТУРЦИИ

KLİMASAN KLİMA SAN. ve TİC. A.Ş. / İZMİR-TURKEY

C-PENTANE

Type :

Input :

Model :

Power/Current:

Energy Cons. :

Class :

Refrig. :

Operation manual is inside the unit.



0000000000000000



 **Metalfrío**